

DGO

Set-back vortex impeller

All product images are indicative only



General characteristics

Set-back vortex impeller

motor power	0,37 ÷ 1,5 kW
poles	2 / 4
discharge	GAS 1½" ÷ 2½" vertical GAS 2" - DN50 horizontal DN65 - DN80 horizontal
free passage	max 80 mm
max flow rate	19.0 l/s
max head	17.3 m

Electromechanical assembly

Electromechanical assembly in GJL-250 cast iron, for submerged operation. Seal set comprising 1 (one) silicon carbide mechanical seal and 1 (one) graphite alumina mechanical seal, installed opposing with oil lubrication. Oil bath motor.

Applications

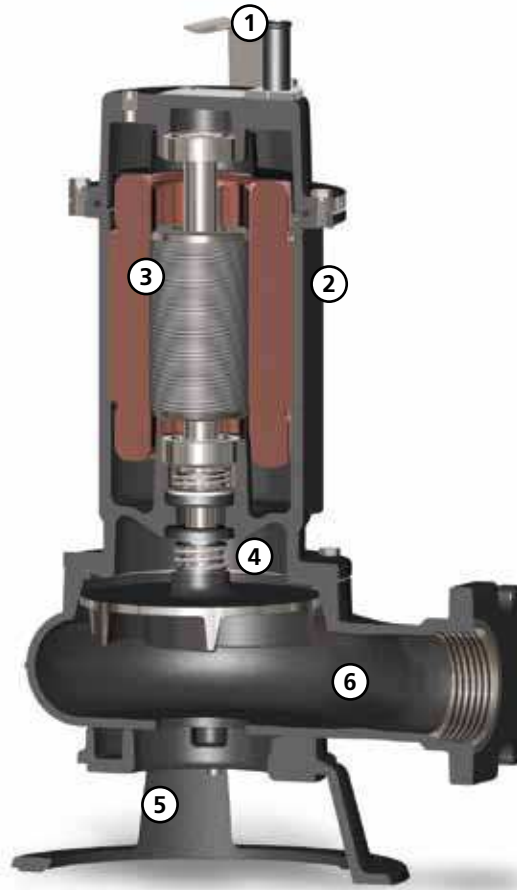
Suitable for heavy-duty applications with soiled biological wastewaters, sewage, rainwater and seepage.

Construction materials

Case	Cast iron EN-GJL 250
Impeller	Cast iron EN-GJL-250
Nuts and bolts	Stainless steel - Class A2-70
Standard gasket	Rubber - NBR
Shaft	Stainless steel - AISI 420
Paint type	Ecological bicomponent epoxy (medium thickness 80 µm)
Set of standard mechanical seals	One silicon carbide mechanical seal (SiC) and one carbon-aluminium oxide mechanical seal (AL)

Operating limits

Maximum operating temperature	40 °C
PH of treated fluid	6 ÷ 14
Viscosity of treated fluid	1 mm ² /s
Maximum immersion depth	20 m
Density of treated fluid	1 Kg/dm ³
Maximum acoustic pressure	70 dB
Max starts per hour	30



Handle
AISI 304 stainless steel lifting and carrying handle



Structure
Constructed in GJL-250 cast iron



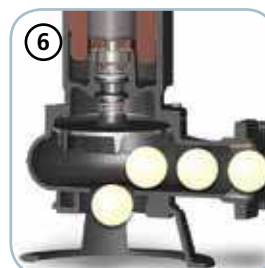
Motor
Oil bath motor with thermal protections. Capacitor and overload protection in external cabinet.



Mechanical seals
One mechanical seal in silicon carbide (SiC) and one mechanical seal in alumina graphite (AL)



Discharge - support foot
Threaded, flanged discharge for the maximum ease of installation.



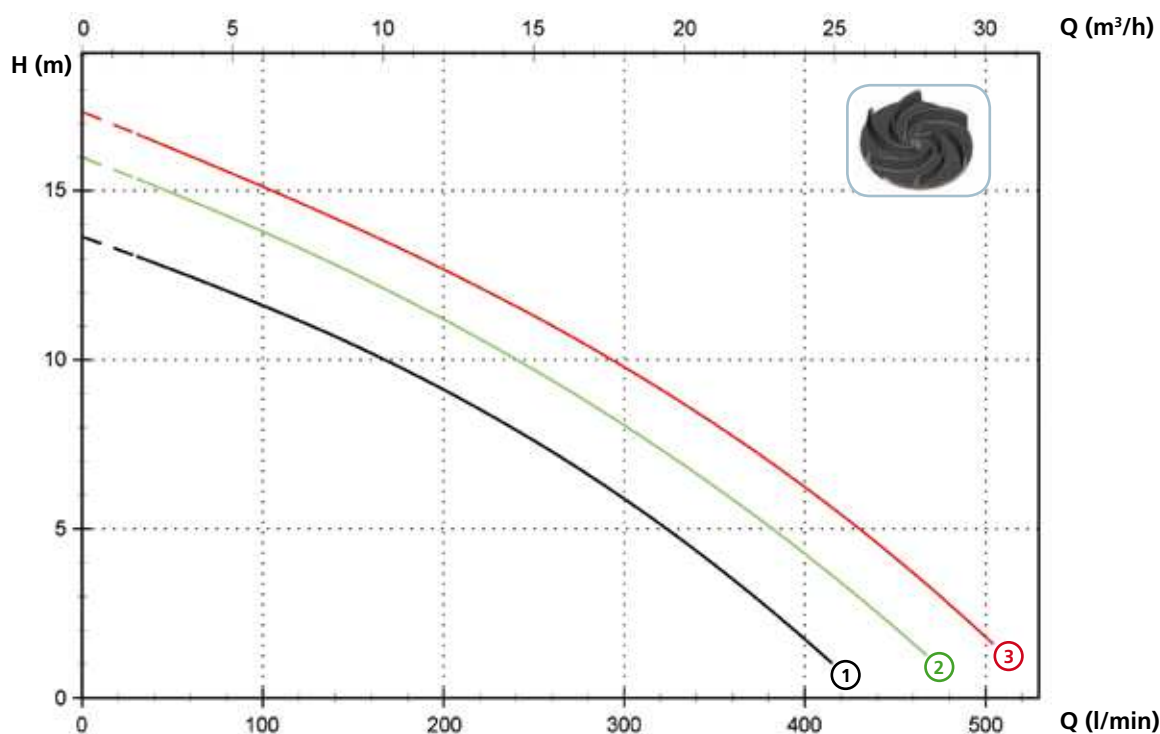
Free passage
Wide free passage allowing the expulsion of solids and preventing fouling of the impeller

DGO

Models with vertical GAS 1½" threaded discharge - 2 poles

Performances

	l/s	0	2	4	6	8
	l/min	0	120	240	360	480
	m³/h	0	7.2	14.4	21.6	28.8
①	DGO 100/2/G40V B1CM(T)/50	13.6	11.2	7.9	3.5	
②	DGO 150/2/G40V B1CM(T)/50	16.0	13.3	10	5.9	
③	DGO 200/2/G40V B1CM(T)/50	17.3	14.7	11.6	7.8	2.8



Technical data

	V	Phases	P1 (kW)	P2 (kW)	A	Rpm	Start	Ø	Cable (*)	Free passage	
①	DGO 100/2/G40V B1CM/50	230	1	-	0.88	6.4	2900	Dir	G 1½"	A	40 mm
②	DGO 150/2/G40V B1CM/50	230	1	-	1.1	8.3	2900	Dir	G 1½"	A	40 mm
③	DGO 200/2/G40V B1CM/50	230	1	-	1.5	9.6	2900	Dir	G 1½"	A	40 mm

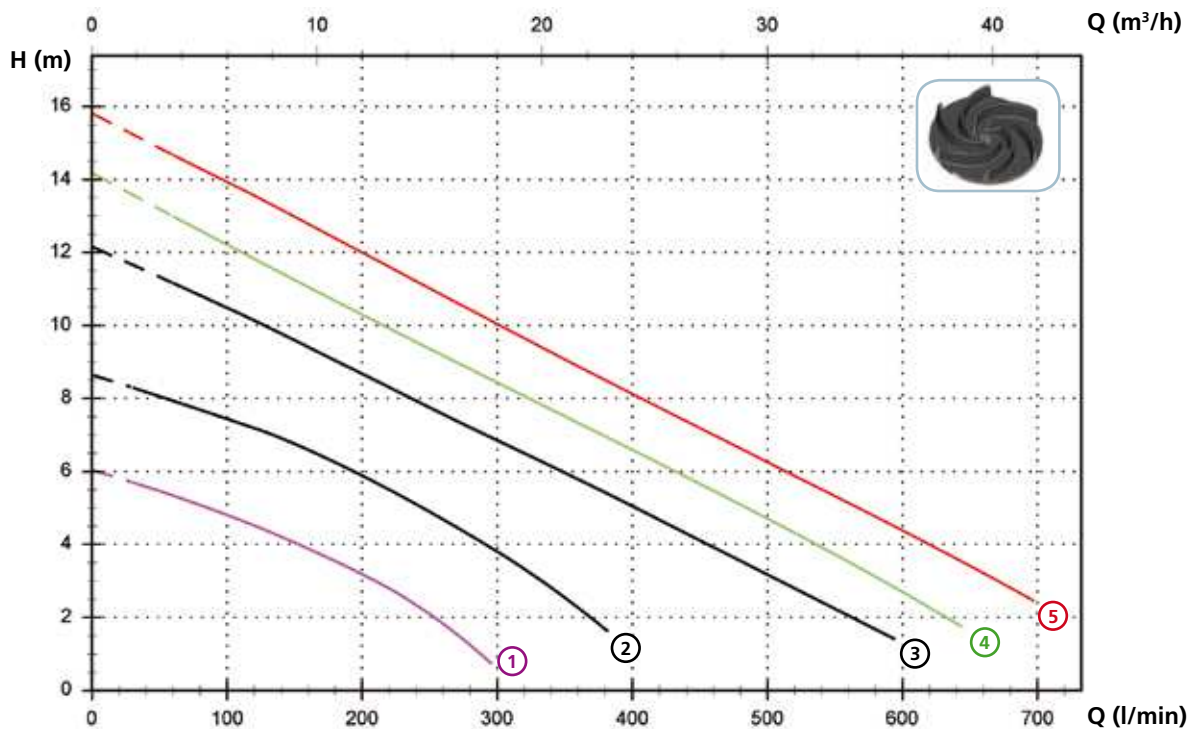
	V	Phases	P1 (kW)	P2 (kW)	A	Rpm	Start	Ø	Cable (*)	Free passage	
①	DGO 100/2/G40V B1CT/50	400	3	-	0.88	2.3	2900	Dir	G 1½"	A	40 mm
②	DGO 150/2/G40V B1CT/50	400	3	-	1.1	2.7	2900	Dir	G 1½"	A	40 mm
③	DGO 200/2/G40V B1CT/50	400	3	-	1.5	3.6	2900	Dir	G 1½"	A	40 mm

(*) A = H07RN-F 4G1 - 5 m cable length. Optional 10 m cable length
 Attention: Standard EN 60335-2-41 requires the use of a 10 m cable length in outdoor applications

Models with vertical GAS 2" threaded discharge - 2 poles

Performances

	l/s	0	2	4	6	8	10
	l/min	0	120	240	360	480	600
	m ³ /h	0	7.2	14.4	21.6	28.8	36.0
① DGO 50/2/G50V B0CM(T)/50		6.0	4.5	2.3			
② DGO 75/2/G50V B0CM(T)/50		8.6	7.2	5.1	2.3		
③ DGO 100/2/G50V B0CM(T)/50		12.2	10.1	7.9	5.8	3.6	
④ DGO 150/2/G50V B0CM(T)/50		14.2	11.8	9.5	7.3	5.1	2.7
⑤ DGO 200/2/G50V B0CM(T)/50		15.8	13.6	11.2	8.9	6.6	4.4



Technical data

	V	Phases	P1 (kW)	P2 (kW)	A	Rpm	Start	Ø	Cable (*)	Free passage
① DGO 50/2/G50V B0CM/50	230	1	-	0.37	2.9	2900	Dir	G 2"	A	40 mm
② DGO 75/2/G50V B0CM/50	230	1	-	0.55	3.9	2900	Dir	G 2"	A	40 mm
③ DGO 100/2/G50V B0CM/50	230	1	-	0.88	6.9	2900	Dir	G 2"	A	50 mm
④ DGO 150/2/G50V B0CM/50	230	1	-	1.1	8.7	2900	Dir	G 2"	A	50 mm
⑤ DGO 200/2/G50V B0CM/50	230	1	-	1.5	10.4	2900	Dir	G 2"	A	50 mm

	V	Phases	P1 (kW)	P2 (kW)	A	Rpm	Start	Ø	Cable (*)	Free passage
① DGO 50/2/G50V B0CT/50	400	3	-	0.37	1.1	2900	Dir	G 2"	A	40 mm
② DGO 75/2/G50V B0CT/50	400	3	-	0.55	1.4	2900	Dir	G 2"	A	40 mm
③ DGO 100/2/G50V B0CT/50	400	3	-	0.88	2.3	2900	Dir	G 2"	A	50 mm
④ DGO 150/2/G50V B0CT/50	400	3	-	1.1	2.7	2900	Dir	G 2"	A	50 mm
⑤ DGO 200/2/G50V B0CT/50	400	3	-	1.5	3.6	2900	Dir	G 2"	A	50 mm

(*) A = H07RN-F 4G1 - 5 m cable length. Optional 10 m cable length
 Attention: Standard EN 60335-2-41 requires the use of a 10 m cable length in outdoor applications

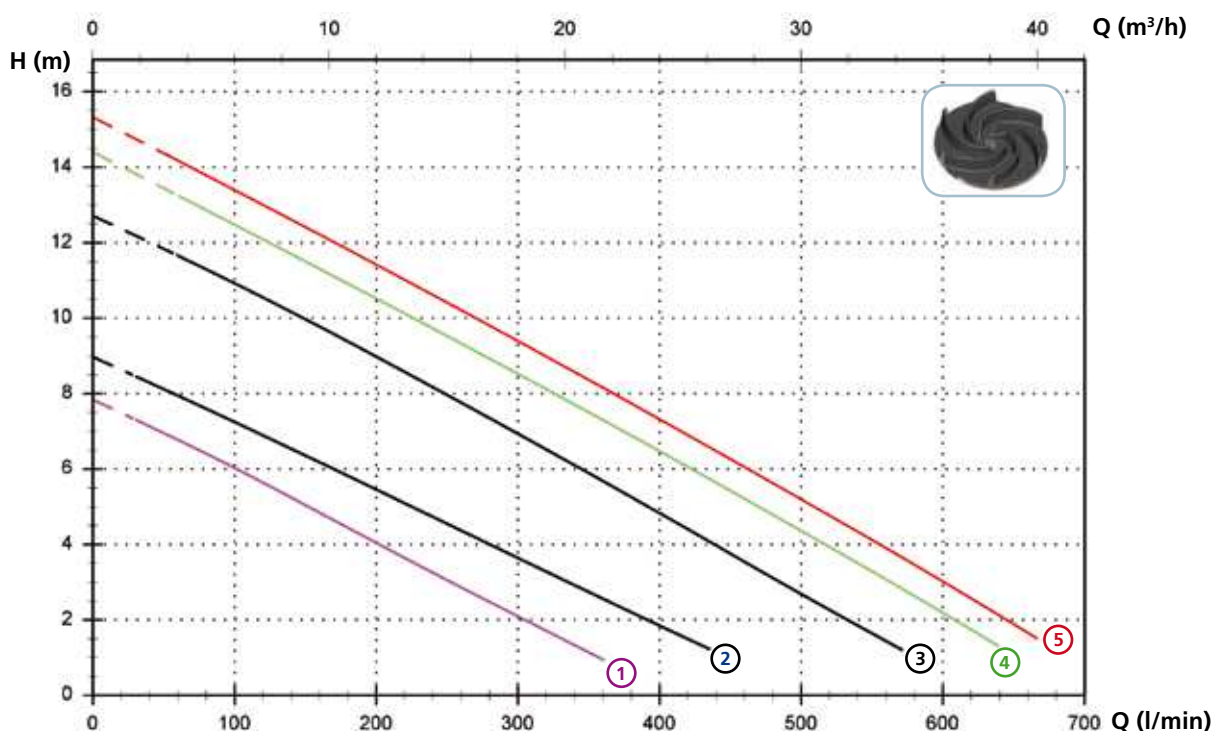


DGO

Models with horizontal GAS 2" threaded - DN50 PN10-16 flanged discharge - 2 poles

Performances

	l/s	0	2	4	6	8	10
	l/min	0	120	240	360	480	600
	m ³ /h	0	7.2	14.4	21.6	28.8	36.0
①	DGO 50/2/G50H A1CM(T)/50	7.8	5.6	3.3	1.0		
②	DGO 75/2/G50H A1CM(T)/50	9.0	6.9	4.7	2.6		
③	DGO 100/2/G50H A0CM(T)/50	12.7	10.6	8.2	5.7	3.1	
④	DGO 150/2/G50H A0CM(T)/50	14.4	12.1	9.7	7.3	4.8	2.2
⑤	DGO 200/2/G50H A0CM(T)/50	15.3	13.0	10.6	8.2	5.6	3.0



Technical data

	V	Phases	P1 (kW)	P2 (kW)	A	Rpm	Start	Ø	Cable (*)	Free passage	
①	DGO 50/2/G50H A1CM/50	230	1	-	0.37	2.9	2900	Dir	G 2"- DN50 PN10-16	A	40 mm
②	DGO 75/2/G50H A1CM/50	230	1	-	0.55	3.9	2900	Dir	G 2"- DN50 PN10-16	A	40 mm
③	DGO 100/2/G50H A0CM/50	230	1	-	0.88	6.5	2900	Dir	G 2"- DN50 PN10-16	A	50 mm
④	DGO 150/2/G50H A0CM/50	230	1	-	1.1	8.2	2900	Dir	G 2"- DN50 PN10-16	A	50 mm
⑤	DGO 200/2/G50H A0CM/50	230	1	-	1.5	9.3	2900	Dir	G 2"- DN50 PN10-16	A	50 mm

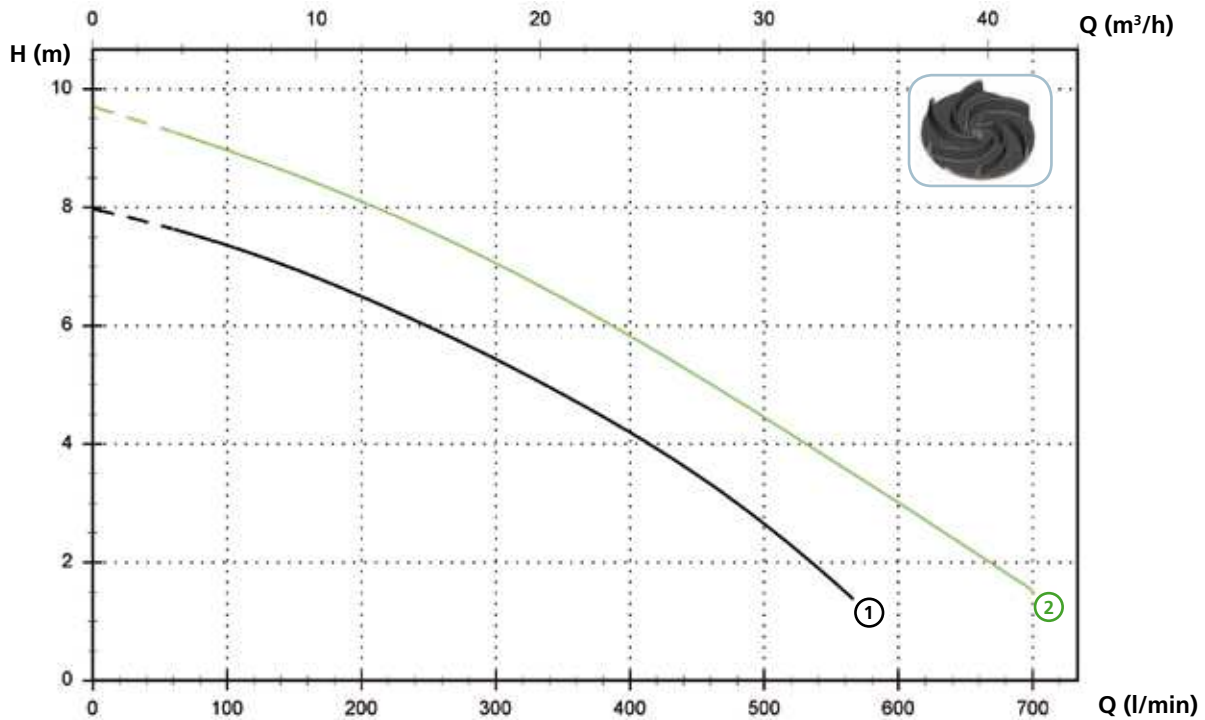
	V	Phases	P1 (kW)	P2 (kW)	A	Rpm	Start	Ø	Cable (*)	Free passage	
①	DGO 50/2/G50H A1CT/50	400	3	-	0.37	1.1	2900	Dir	G 2"- DN50 PN10-16	A	40 mm
②	DGO 75/2/G50H A1CT/50	400	3	-	0.55	1.4	2900	Dir	G 2"- DN50 PN10-16	A	40 mm
③	DGO 100/2/G50H A0CT/50	400	3	-	0.88	2.3	2900	Dir	G 2"- DN50 PN10-16	A	50 mm
④	DGO 150/2/G50H A0CT/50	400	3	-	1.1	2.6	2900	Dir	G 2"- DN50 PN10-16	A	50 mm
⑤	DGO 200/2/G50H A0CT/50	400	3	-	1.5	3.6	2900	Dir	G 2"- DN50 PN10-16	A	50 mm

(*) A = H07RN-F 4G1 - 5 m cable length. Optional 10 m cable length
 Attention: Standard EN 60335-2-41 requires the use of a 10 m cable length in outdoor applications

Models with vertical GAS 2½" threaded discharge - 2 poles

Performances

	<i>l/s</i>	0	2	4	6	8	10
	<i>l/min</i>	0	120	240	360	480	600
	<i>m³/h</i>	0	7.2	14.4	21.6	28.8	36.0
①	DGO 150/2/G65V A1CM(T)/50	8.0	7.2	6.1	4.7	3.0	
②	DGO 200/2/G65V A1CM(T)/50	9.7	8.8	7.7	6.3	4.7	3.0



Technical data

	V	Phases	P1 (kW)	P2 (kW)	A	Rpm	Start	Ø	Cable (*)	Free passage	
①	DGO 150/2/G65V A1CM/50	230	1	-	1.1	8.2	2900	Dir	G 2½"	A	65 mm
②	DGO 200/2/G65V A1CM/50	230	1	-	1.5	9.9	2900	Dir	G 2½"	A	65 mm

	V	Phases	P1 (kW)	P2 (kW)	A	Rpm	Start	Ø	Cable (*)	Free passage	
①	DGO 150/2/G65V A1CT/50	400	3	-	1.1	2.7	2900	Dir	G 2½"	A	65 mm
②	DGO 200/2/G65V A1CT/50	400	3	-	1.5	3.6	2900	Dir	G 2½"	A	65 mm

(*) A = H07RN-F 4G1 - 5 m cable length. Optional 10 m cable length

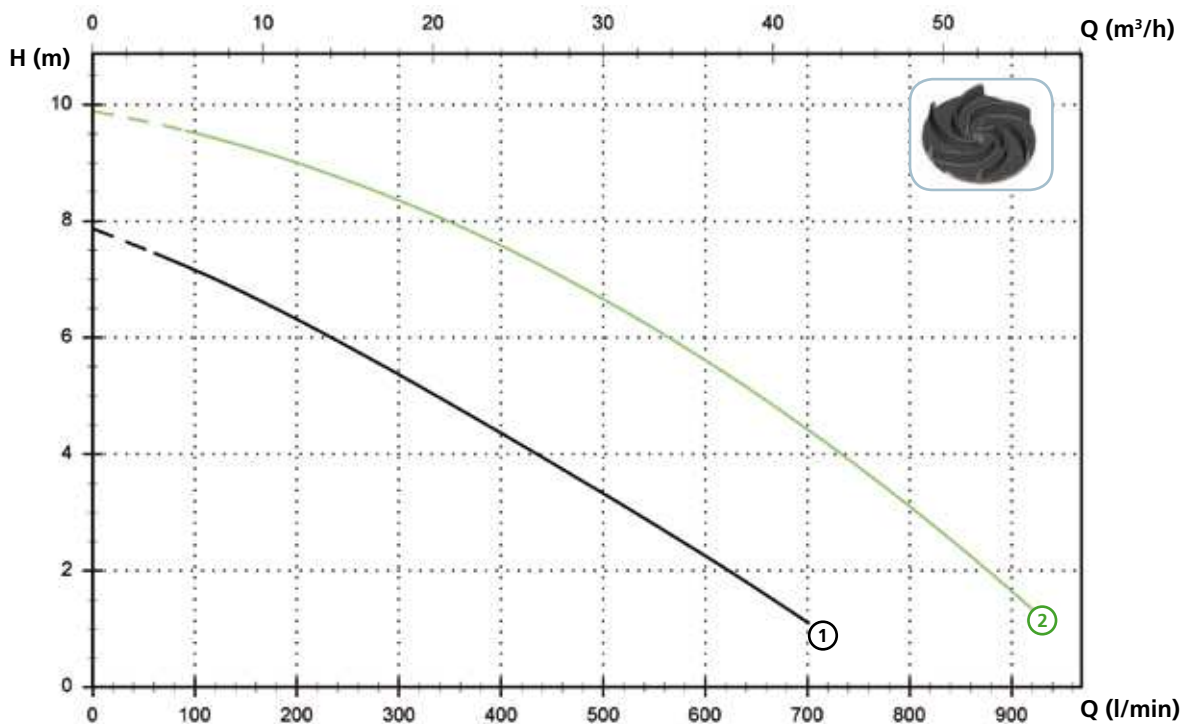
Attention: Standard EN 60335-2-41 requires the use of a 10 m cable length in outdoor applications

DGO

Models with horizontal DN65 PN10-16 flanged discharge - 2 poles

Performances

	l/s	0	2	4	6	8	10	12	14
	l/min	0	120	240	360	480	600	720	840
	m ³ /h	0	7.2	14.4	21.6	28.8	36.0	43.2	50.4
①	DGO 150/2/65 A1CM(T)/50	7.9	7.0	5.9	4.8	3.5	2.3		
②	DGO 200/2/65 A1CM(T)/50	9.9	9.4	8.8	7.9	6.9	5.6	4.2	2.5



Technical data

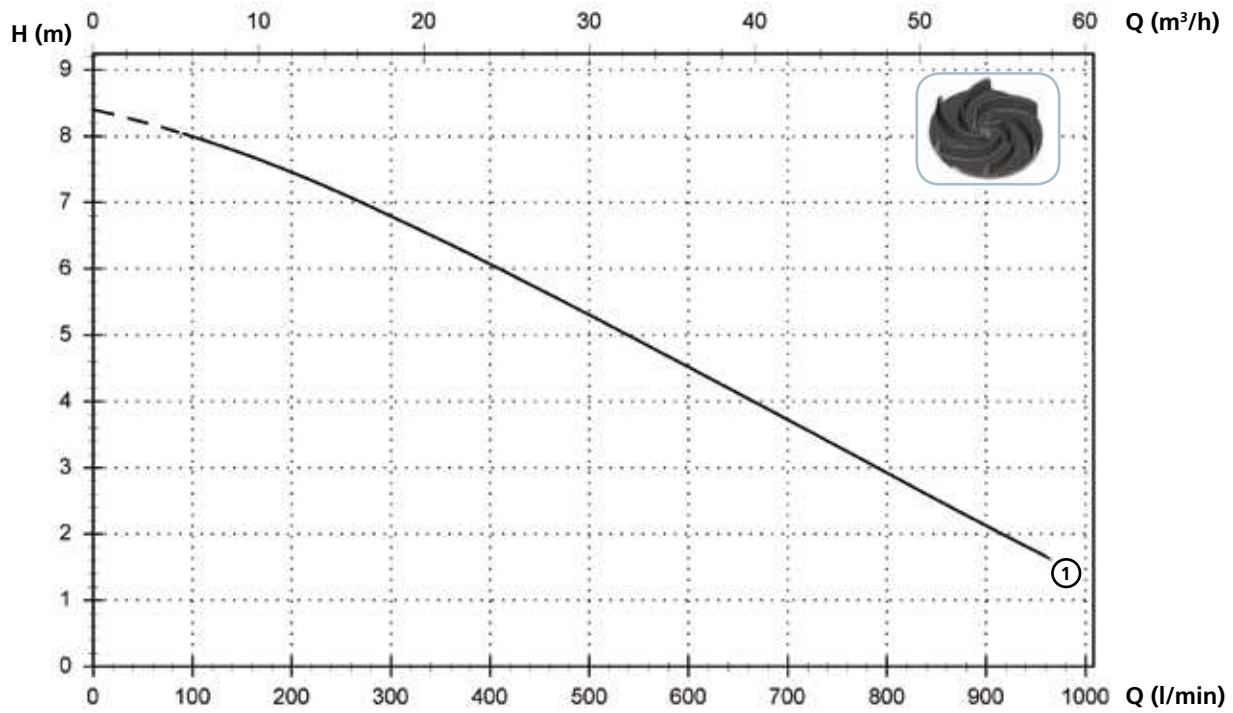
	V	Phases	P1 (kW)	P2 (kW)	A	Rpm	Start	Ø	Cable (*)	Free passage	
①	DGO 150/2/65 A1CM/50	230	1	-	1.1	8.2	2900	Dir	DN65 PN10-16	A	65 mm
②	DGO 200/2/65 A1CM/50	230	1	-	1.5	9.9	2900	Dir	DN65 PN10-16	A	65 mm
	V	Phases	P1 (kW)	P2 (kW)	A	Rpm	Start	Ø	Cable (*)	Free passage	
①	DGO 150/2/65 A1CT/50	400	3	-	1.1	2.7	2900	Dir	DN65 PN10-16	A	65 mm
②	DGO 200/2/65 A1CT/50	400	3	-	1.5	3.6	2900	Dir	DN65 PN10-16	A	65 mm

(*) A = H07RN-F 4G1 - 5 m cable length. Optional 10 m cable length
 Attention: Standard EN 60335-2-41 requires the use of a 10 m cable length in outdoor applications

Models with horizontal DN80 PN10-16 flanged discharge - 2 poles

Performances

	l/s	0	2	4	6	8	10	12	14	16
	l/min	0	120	240	360	480	600	720	840	960
	m ³ /h	0	7.2	14.4	21.6	28.8	36.0	43.2	50.4	57.6
① DGO 200/2/80 A1CM(T)/50		8.4	7.9	7.2	6.4	5.5	4.5	3.6	2.6	1.7



Technical data

	V	Phases	P1 (kW)	P2 (kW)	A	Rpm	Start	Ø	Cable (*)	Free passage
① DGO 200/2/80 A1CM/50	230	1	-	1.7	11.2	2900	Dir	DN80 PN10-16	A	80 mm
	V	Phases	P1 (kW)	P2 (kW)	A	Rpm	Start	Ø	Cable (*)	Free passage
① DGO 200/2/80 A1CT/50	400	3	-	1.7	3.9	2900	Dir	DN80 PN10-16	A	80 mm

(*) A = H07RN-F 4G1 - 5 m cable length. Optional 10 m cable length
 Attention: Standard EN 60335-2-41 requires the use of a 10 m cable length in outdoor applications

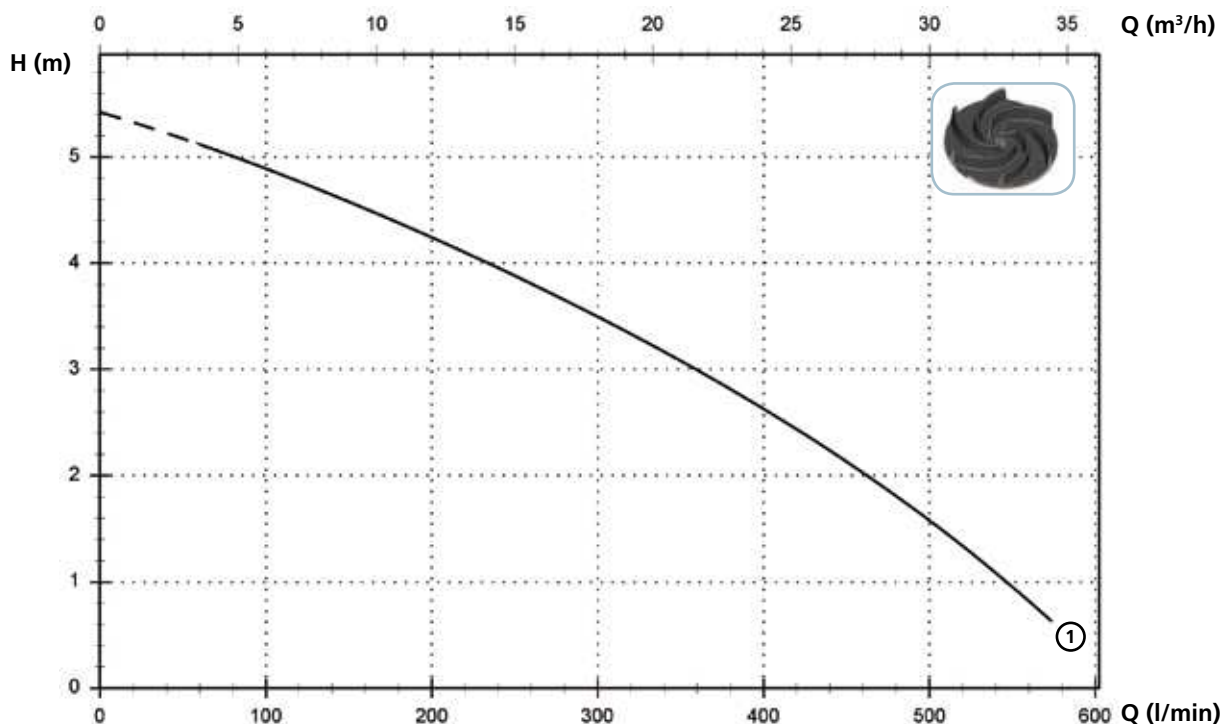
DGO

Models with horizontal GAS 2" threaded discharge - 4 poles

Performances

l/s	0	1	2	3	4	5	6	7	8	9
l/min	0	60	120	180	240	300	360	420	480	540
m ³ /h	0	3.6	7.2	10.8	14.4	18.0	21.6	25.2	28.8	32.4

① DGO 100/4/G50V B0CM(T)/50	5.4	5.1	4.8	4.4	4.0	3.5	3.0	2.4	1.8	1.1
-----------------------------	-----	-----	-----	-----	-----	-----	-----	-----	-----	-----



Technical data

	V	Phases	P1 (kW)	P2 (kW)	A	Rpm	Start	Ø	Cable (*)	Free passage
① DGO 100/4/G50V B0CM/50	230	1	-	0.7	4.5	1450	Dir	G 2"	A	45 mm

	V	Phases	P1 (kW)	P2 (kW)	A	Rpm	Start	Ø	Cable (*)	Free passage
① DGO 100/4/G50V B0CT/50	400	3	-	0.7	1.6	1450	Dir	G 2"	A	45 mm

(*) A = H07RN-F 4G1 - 5 m cable length. Optional 10 m cable length

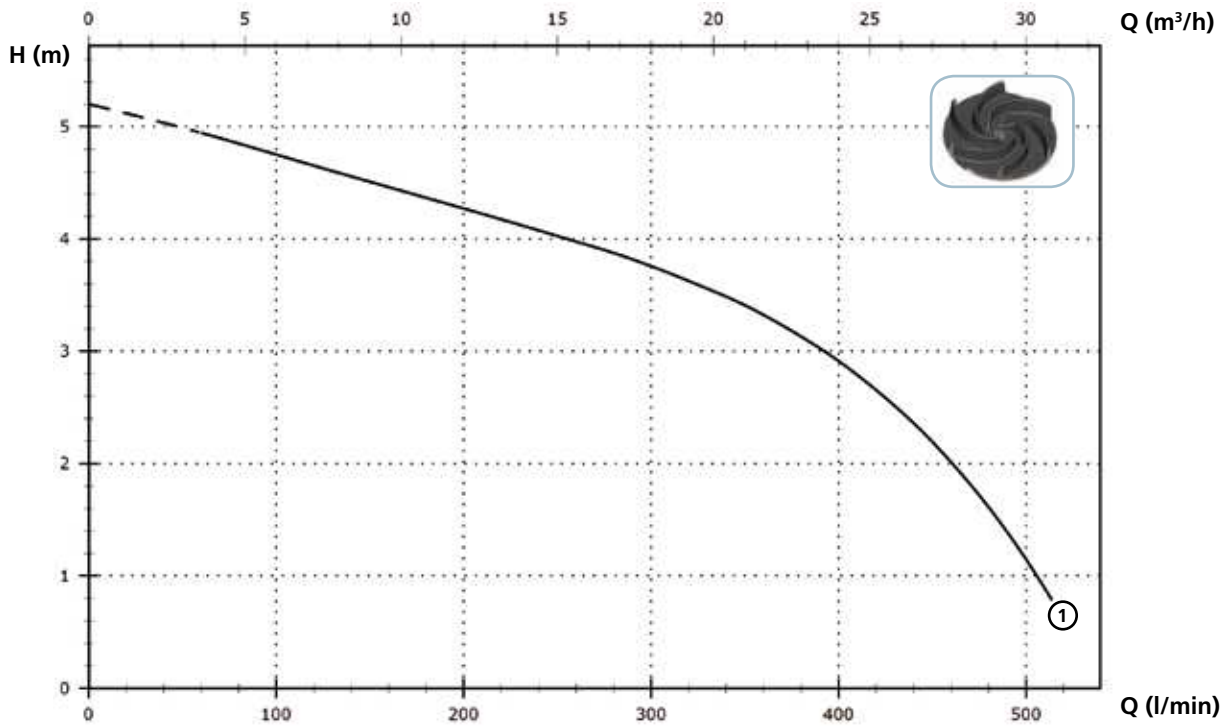
Attention: Standard EN 60335-2-41 requires the use of a 10 m cable length in outdoor applications

Models with horizontal GAS 2" threaded - DN50 PN10 flanged discharge - 4 poles

Performances

<i>l/s</i>	0	1	2	3	4	5	6	7	8
<i>l/min</i>	0	60	120	180	240	300	360	420	480
<i>m³/h</i>	0	3.6	7.2	10.8	14.4	18	21.6	25.2	28.8

① DGO 100/4/G50H A0CM(T)/50	5.2	4.9	4.7	4.4	4.1	3.8	3.3	2.7	1.6
-----------------------------	-----	-----	-----	-----	-----	-----	-----	-----	-----



Technical data

	V	Phases	P1 (kw)	P2 (kw)	A	Rpm	Start	Ø	Cable (*)	Free passage
① DGO 100/4/G50H A0CM/50	230	1	-	0.7	5.7	1450	Dir	G 2" DN50 PN10	A	45 mm

	V	Phases	P1 (kw)	P2 (kw)	A	Rpm	Start	Ø	Cable (*)	Free passage
① DGO 100/4/G50H A0CT/50	400	3	-	0.7	2.2	1450	Dir	G 2" DN50 PN10	A	45 mm

(*) A = H07RN-F 4G1 - 5 m cable length. Optional 10 m cable length
 Attention: Standard EN 60335-2-41 requires the use of a 10 m cable length in outdoor applications

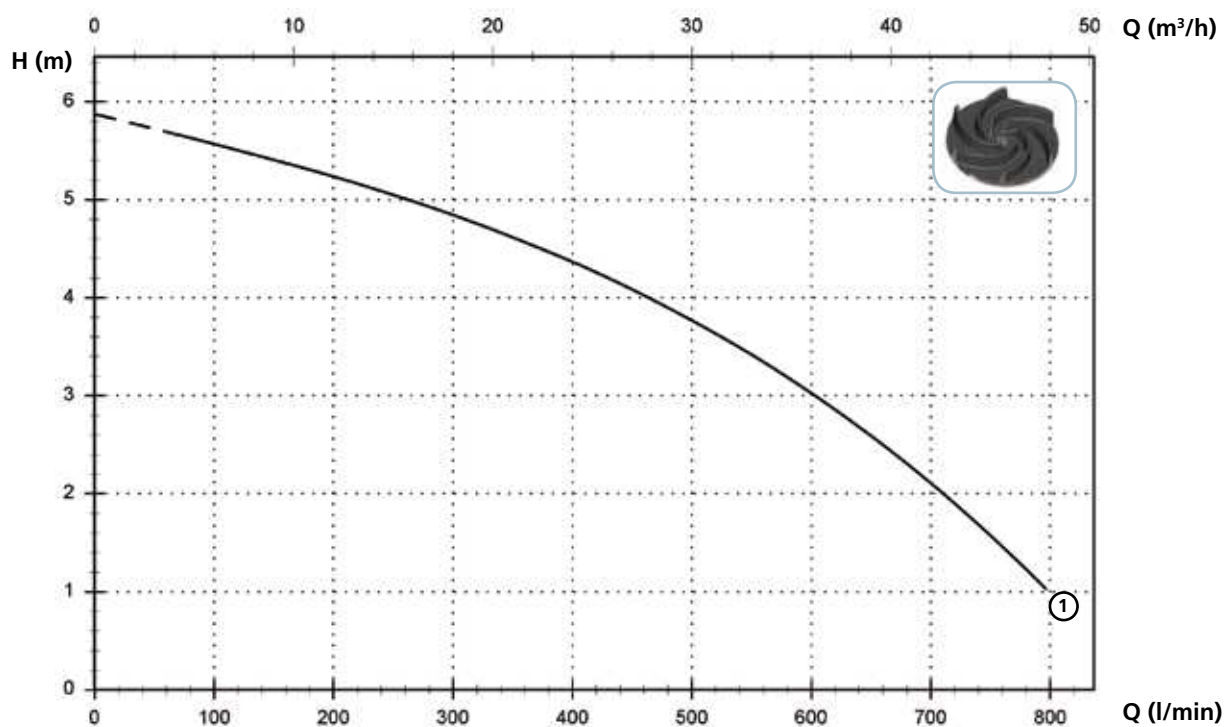
DGO

Models with horizontal DN65 PN10-16 flanged discharge - 4 poles

Performances

<i>l/s</i>	0	2	4	6	8	10	12
<i>l/min</i>	0	120	240	360	480	600	720
<i>m³/h</i>	0	7.2	14.4	21.6	28.8	36.0	43.2

① DGO 150/4/65 A0CM(T)/50	5.9	5.5	5.1	4.6	3.9	3.0	1.9
---------------------------	-----	-----	-----	-----	-----	-----	-----



Technical data

	V	Phases	P1 (kW)	P2 (kW)	A	Rpm	Start	Ø	Cable (*)	Free passage
① DGO 150/4/65 A0CM/50	230	1	-	0.9	7.5	1450	Dir	DN65 PN10-16	A	45 mm

	V	Phases	P1 (kW)	P2 (kW)	A	Rpm	Start	Ø	Cable (*)	Free passage
① DGO 150/4/65 A0CT/50	400	3	-	0.9	2.8	1450	Dir	DN65 PN10-16	A	45 mm

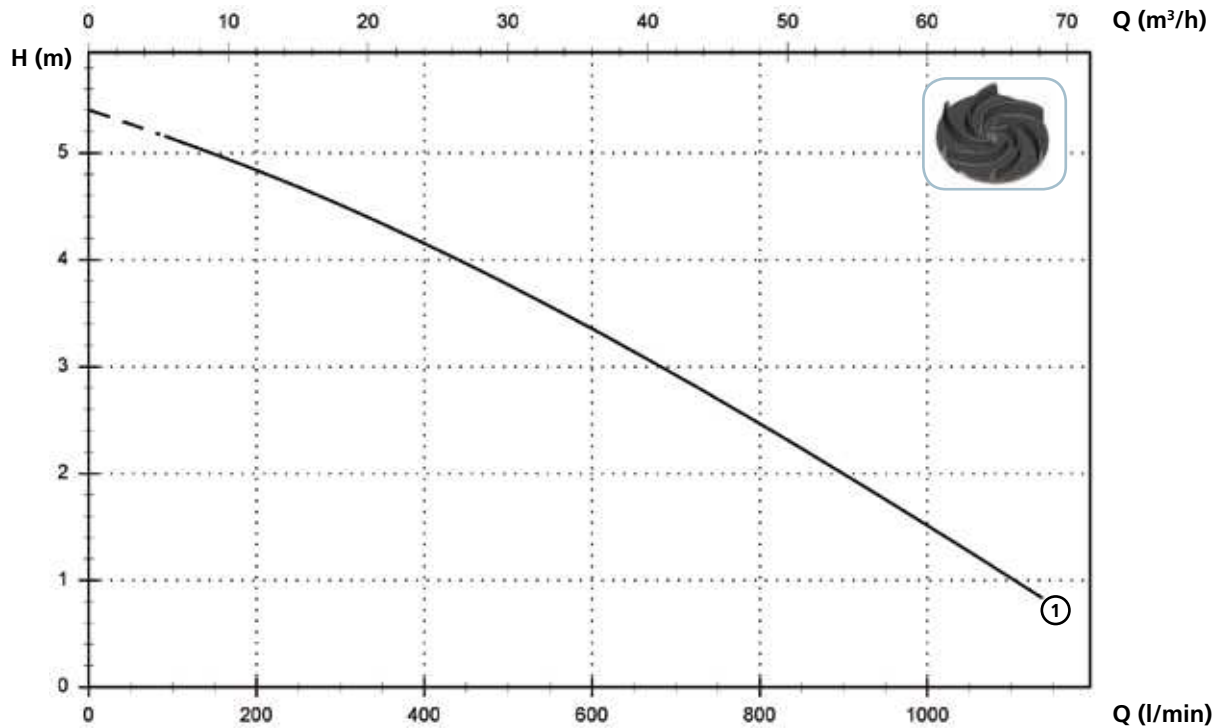
(*) A = H07RN-F 4G1 - 5 m cable length. Optional 10 m cable length
 Attention: Standard EN 60335-2-41 requires the use of a 10 m cable length in outdoor applications

Models with horizontal DN80 PN10-16 flanged discharge - 4 poles

Performances

<i>l/s</i>	0	2	4	6	8	10	12	14	16	18
<i>l/min</i>	0	120	240	360	480	600	720	840	960	1080
<i>m³/h</i>	0	7.2	14.4	21.6	28.8	36.0	43.2	50.4	57.6	64.8

① DGO 150/4/80 A0CM(T)/50	5.4	5.1	4.7	4.3	3.8	3.4	2.8	2.3	1.7	1.1
---------------------------	-----	-----	-----	-----	-----	-----	-----	-----	-----	-----



Technical data

	V	Phases	P1 (kW)	P2 (kW)	A	Rpm	Start	Ø	Cable (*)	Free passage
① DGO 150/4/80 A0CM/50	230	1	-	0.9	7.5	1450	Dir	DN80 PN10-16	A	60 mm
① DGO 150/4/80 A0CT/50	400	3	-	0.9	2.8	1450	Dir	DN80 PN10-16	A	60 mm

(*) A = H07RN-F 4G1 - 5 m cable length. Optional 10 m cable length
 Attention: Standard EN 60335-2-41 requires the use of a 10 m cable length in outdoor applications

DGO

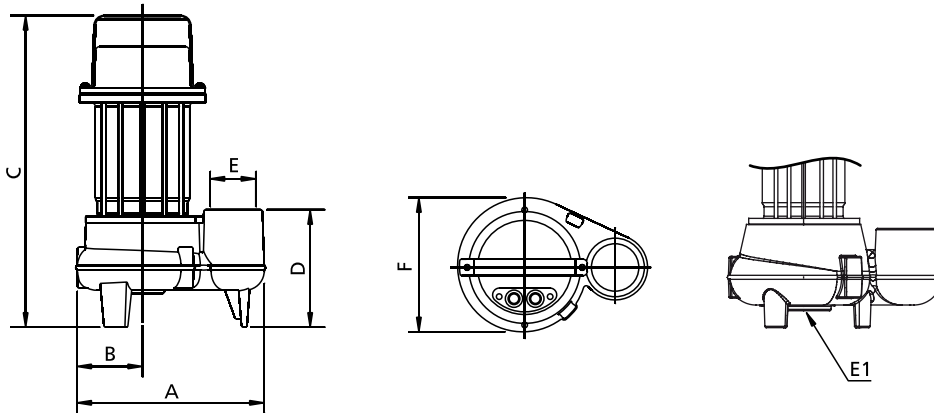
Versions available

(Key to versions on page 16)

	Electrical variants											Cooling				Mechanical seals				
	N A E	T	T C	T C D	T C D T	T C D G T	T C G	T C S T	T C S G T	T S	T R	T R G	N	CC CCE	FT	C G F T	2SIC	SICM	SICAL	2SICAL
DGO 100/2/G40V B1CM/50		●						●	●			●							●	
DGO 150/2/G40V B1CM/50		●						●	●			●							●	
DGO 200/2/G40V B1CM/50		●						●	●			●							●	
DGO 100/2/G40V B1CT/50	●											●							●	
DGO 150/2/G40V B1CT/50	●											●							●	
DGO 200/2/G40V B1CT/50	●											●							●	
DGO 50/2/G50V B0CM/50		●						●	●			●							●	
DGO 75/2/G50V B0CM/50		●						●	●			●							●	
DGO 100/2/G50V B0CM/50		●						●	●			●							●	
DGO 150/2/G50V B0CM/50		●						●	●			●							●	
DGO 200/2/G50V B0CM/50		●						●	●			●							●	
DGO 50/2/G50V B0CT/50	●											●							●	
DGO 75/2/G50V B0CT/50	●											●							●	
DGO 100/2/G50V B0CT/50	●											●							●	
DGO 150/2/G50V B0CT/50	●											●							●	
DGO 200/2/G50V B0CT/50	●											●							●	
DGO 50/2/G50H A1CM/50		●						●	●			●							●	
DGO 75/2/G50H A1CM/50		●						●	●			●							●	
DGO 100/2/G50H A0CM/50		●						●	●			●							●	
DGO 150/2/G50H A0CM/50		●						●	●			●							●	
DGO 200/2/G50H A0CM/50		●						●	●			●							●	
DGO 50/2/G50H A1CT/50	●											●							●	
DGO 75/2/G50H A1CT/50	●											●							●	
DGO 100/2/G50H A0CT/50	●											●							●	
DGO 150/2/G50H A0CT/50	●											●							●	
DGO 200/2/G50H A0CT/50	●											●							●	
DGO 150/2/G65V A1CM/50		●						●	●			●							●	
DGO 200/2/G65V A1CM/50		●						●	●			●							●	
DGO 150/2/G65V A1CT/50	●											●							●	
DGO 200/2/G65V A1CT/50	●											●							●	
DGO 150/2/65 A1CM/50		●						●	●			●							●	
DGO 200/2/65 A1CM/50		●						●	●			●							●	
DGO 150/2/65 A1CT/50	●											●							●	
DGO 200/2/65 A1CT/50	●											●							●	
DGO 200/2/80 A1CM/50		●						●	●			●							●	
DGO 200/2/80 A1CT/50	●											●							●	
DGO 100/4/G50V B0CM/50		●						●	●			●							●	
DGO 100/4/G50V B0CT/50	●											●							●	
DGO 100/4/G50H A0CM/50		●						●	●			●							●	
DGO 100/4/G50H A0CT/50	●											●							●	
DGO 150/4/65 A0CM/50		●						●	●			●							●	
DGO 150/4/65 A0CT/50	●											●							●	
DGO 150/4/80 A0CM/50		●						●	●			●							●	
DGO 150/4/80 A0CT/50	●											●							●	

Overall dimensions and weights

Models with vertical discharge

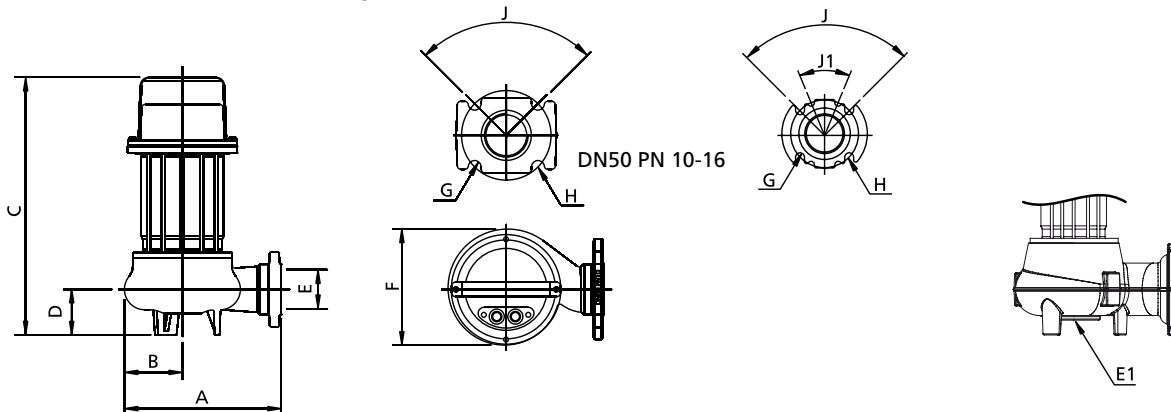


	A	B	C	D	E	E1	F	kg
DGO 100/2/G40V B1CM(T)/50	260	100	440	125	G 1 1/2"	-	205	18
DGO 150/2/G40V B10CM(T)/50	260	100	440	125	G 1 1/2"	-	205	19
DGO 200/2/G40V B1CM(T)/50	260	100	440	125	G 1 1/2"	-	205	20
DGO 50/2/G50V B0CM(T)/50	230	80	380	120	G 2"	-	165	16.5
DGO 75/2/G50V B0CM(T)/50	230	80	380	120	G 2"	-	165	16.5
DGO 100/2/G50V B0CM(T)/50	270	100	455	130	G 2"	-	205	19.5
DGO 150/2/G50V B0CM(T)/50	270	100	455	130	G 2"	-	205	20.5
DGO 200/2/G50V B0CM(T)/50	270	100	455	130	G 2"	-	205	21.5
DGO 150/2/G65V A1CM(T)/50	300	105	435	140	G 2 1/2"	3xM8 Ø160	210	21
DGO 200/2/G65V A1CM(T)/50	300	105	435	140	G 2 1/2"	3xM8 Ø160	210	22
DGO 100/4/G50V B0CM(T)/50	270	100	455	130	G 2"	-	205	21

Dimensions in mm

All weights and dimensions are indicative only

Models with horizontal discharge



	A	B	C	D	E	E1	F	G	H	J	J1	kg
DGO 50/2/G50H A1CM(T)/50	220	80	360	65	G 2"-DN50	-	160	18	125	90°	-	16.5
DGO 75/2/G50H A1CM(T)/50	220	80	360	65	G 2"-DN50	-	160	18	125	90°	-	16.5
DGO 100/2/G50H A0CM(T)/50	270	110	455	110	G 2"-DN50	-	205	18	125	90°	-	19.5
DGO 150/2/G50H A0CM(T)/50	270	110	455	110	G 2"-DN50	-	205	18	125	90°	-	20.5
DGO 200/2/G50H A0CM(T)/50	270	110	455	110	G 2"-DN50	-	205	18	125	90°	-	21.5
DGO 150/2/65 A1CM(T)/50	295	110	435	70	65	3xM8 Ø160	210	18	145	90°	-	22
DGO 200/2/65 A1CM(T)/50	295	110	435	70	65	3xM8 Ø160	210	18	145	90°	-	23
DGO 200/2/80 A1CM(T)/50	290	105	450	80	80	3xM8 Ø160	210	18	160	90°	45°	23
DGO 100/4/G50H A0CM(T)/50	270	110	450	110	G 2"-DN50	-	205	18	125	90°	-	21
DGO 150/4/65 A0CM(T)/50	270	110	450	105	65	-	220	18	145	90°	-	27
DGO 150/4/80 A0CM(T)/50	270	115	480	125	80	-	225	18	160	90°	-	29

Dimensions in mm

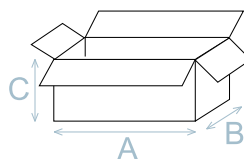
All weights and dimensions are indicative only



DGO

Packaging dimension

	A	B	C
DGO 100/2/G40V B1CM(T)/50	475	285	235
DGO 150/2/G40V B1CM(T)/50	475	285	235
DGO 200/2/G40V B1CM(T)/50	475	285	235
DGO 50/2/G50V B0CM(T)/50	385	225	245
DGO 75/2/G50V B0CM(T)/50	385	225	245
DGO 100/2/G50V B0CM(T)/50	475	285	235
DGO 150/2/G50V B0CM(T)/50	475	285	235
DGO 200/2/G50V B0CM(T)/50	475	285	235
DGO 50/2/G50H A1CM(T)/50	385	225	245
DGO 75/2/G50H A1CM(T)/50	385	225	245
DGO 100/2/G50H A0CM(T)/50	475	285	235
DGO 150/2/G50H A0CM(T)/50	475	285	235
DGO 200/2/G50H A0CM(T)/50	475	285	235
DGO 150/2/G65V A1CM(T)/50	475	285	235
DGO 200/2/G65V A1CM(T)/50	475	285	235
DGO 150/2/65 A1CM(T)/50	580	310	310
DGO 200/2/65 A1CM(T)/50	580	310	310
DGO 200/2/80 A1CM(T)/50	580	310	310
DGO 100/4/G50V B0CM(T)/50	475	285	235
DGO 100/4/G50H A0CM(T)/50	475	285	235
DGO 150/4/65 A0CM(T)/50	580	310	310
DGO 150/4/80 A0CM(T)/50	580	310	310



Dimension in mm

All weights and dimensions are indicative only

No. pieces per pallet

For DGO 50-75 models each pallet (EUR 1000X1200 mm) is able to take 48 pieces.

For DGO 100-150-200 models each pallet (EUR 1000X1200 mm) is able to take 32 pieces.

Installations available

