

# DRY

## Special alloy pumps



All product images are indicative only

### General characteristics

Special alloy pump	
motor power	2,4 ÷ 15 kW
poles	2 / 4
discharge	DN65 ÷ DN100 horizontal
free passage	max 80 mm
max flow rate	72.8 l/s
max head	40.2 m

### Electromechanical assembly

Electromechanical assembly in CF-8M (AISI 316) stainless steel, for submerged operation. Seal set comprising 2 (two) silicon carbide mechanical seals installed in series in inspectable oil sump and 1 (one) opposed graphite-alumina lip seal lubricated by the motor oil. Oil bath motor.

### Applications

Designed for the treatment of strongly corrosive or chemically aggressive liquids, especially in the chemical industry, this unit is for a specific industrial application. Suitable for treating medium-low density fluids, containing solid and fibrous parts, sand and activated sludges.

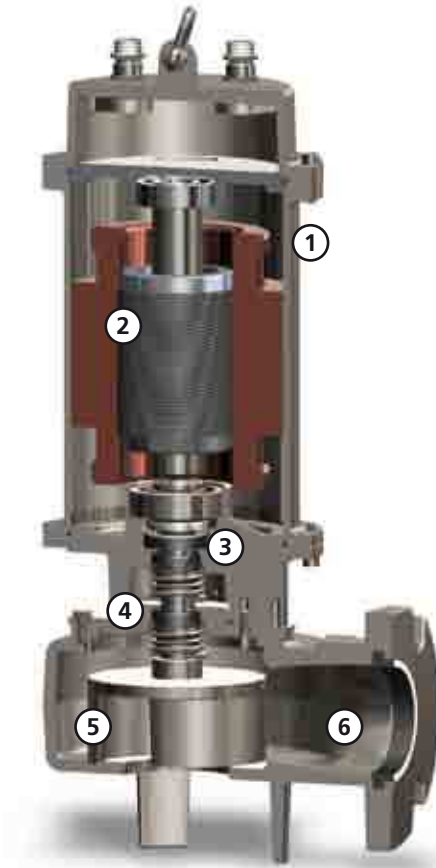
### Construction materials

Case	Cast stainless steel - CF-8M
Impeller	Stainless steel
Nuts and bolts	Stainless steel - Class A4-70
Standard gasket	Rubber - VITON
Shaft	Stainless steel - AISI 420
Set of standard mechanical seals	Two silicon carbide mechanical seals (2SiC) and one carbon-aluminium oxide mechanical seal (AL)

### Operating limits

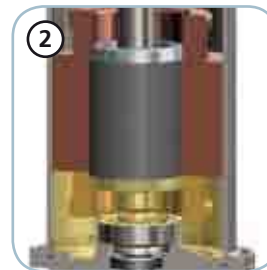
Maximum operating temperature	40 °C
PH of treated fluid	3 ÷ 14
Viscosity of treated fluid	1 mm <sup>2</sup> /s
Maximum immersion depth	20 m
Density of treated fluid	1 Kg/dm <sup>3</sup>
Maximum acoustic pressure	70 dB
max starts per hour	30

**DRY**



**Structure**

CF-8M steel construction which makes the pump suitable for use in saline environments.



**Motor**

Oil-bath motor with thermal protections.



**Mechanical seals**

Two mechanical seals in silicon carbide (2SiC) and one mechanical seal in alumina graphite (AL) for maximum reliability even in heavy-duty applications.



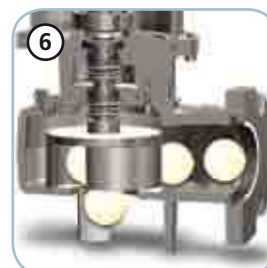
**Oil sump**

Large oil sump to guarantee longer mechanical seal lifetime.



**Impeller**

Multichannel open impeller in CF-8M steel.



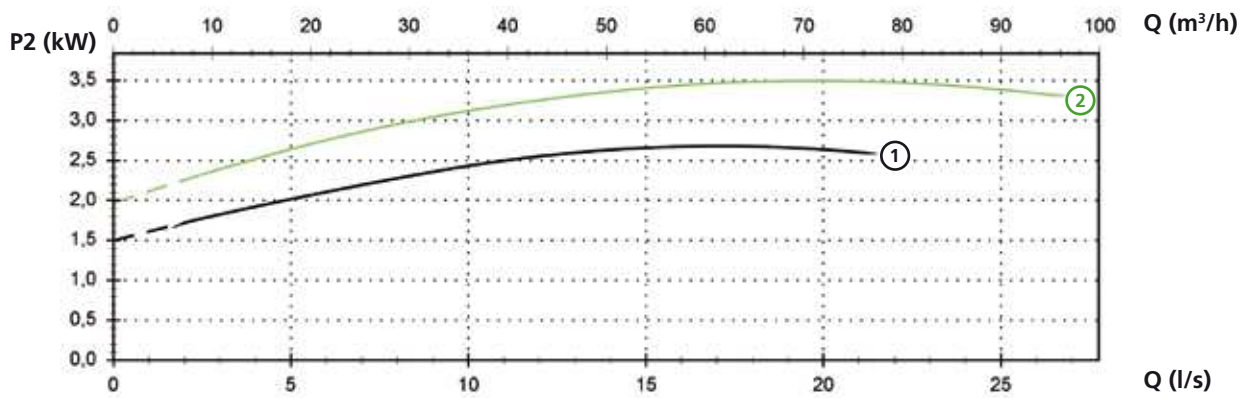
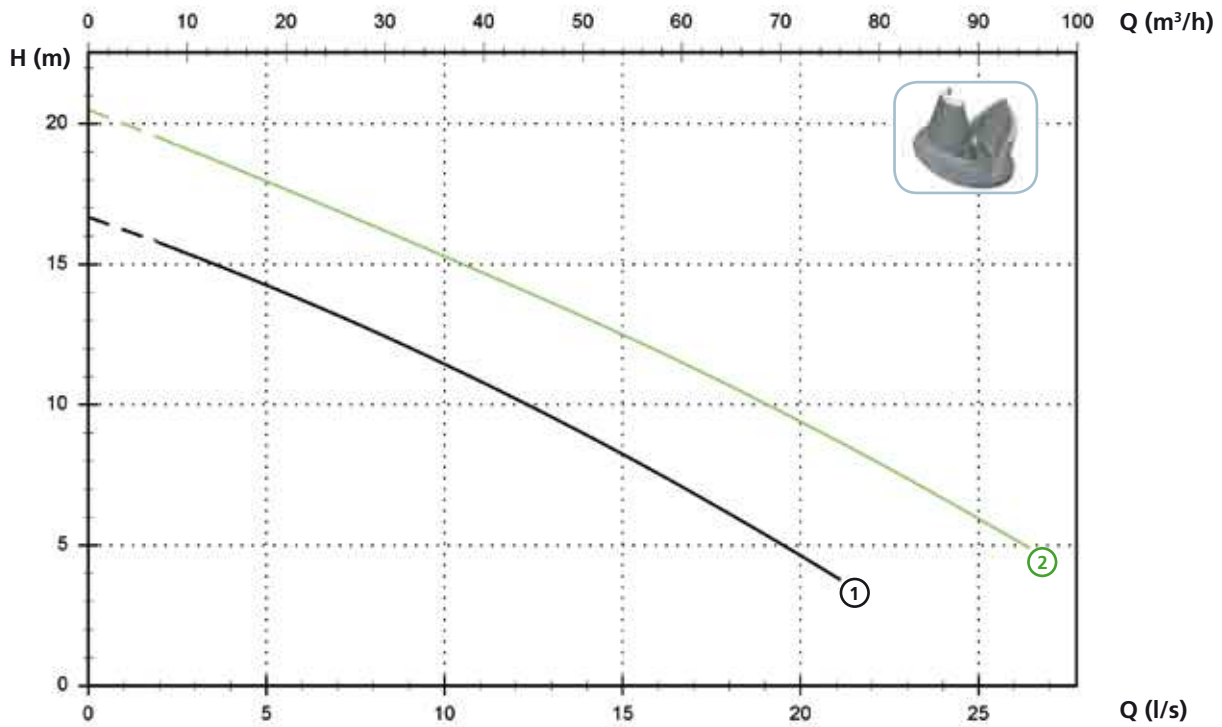
**Free passage**

Wide free passage allowing the expulsion of solids and preventing fouling of the impeller.

# DRY

## Models with horizontal DN65 PN10-16 flanged discharge - 2 poles

### Performances



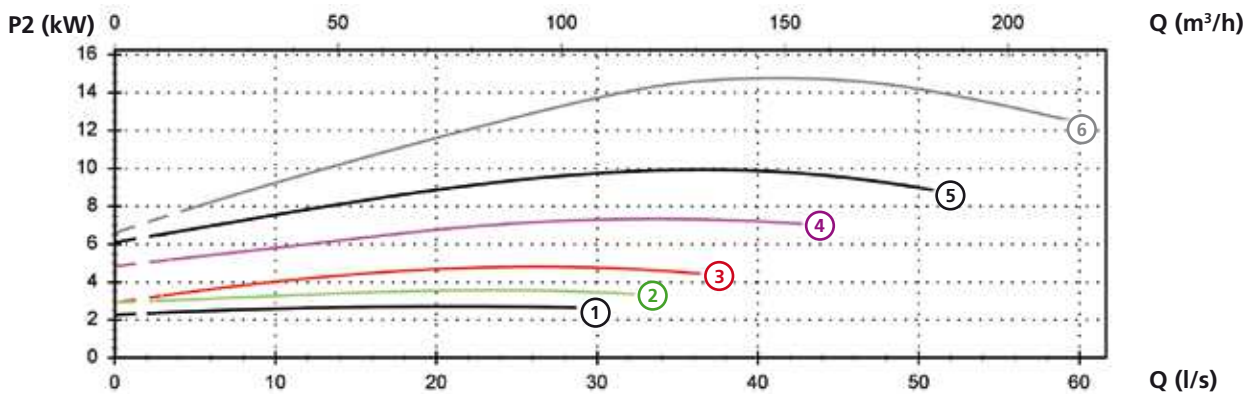
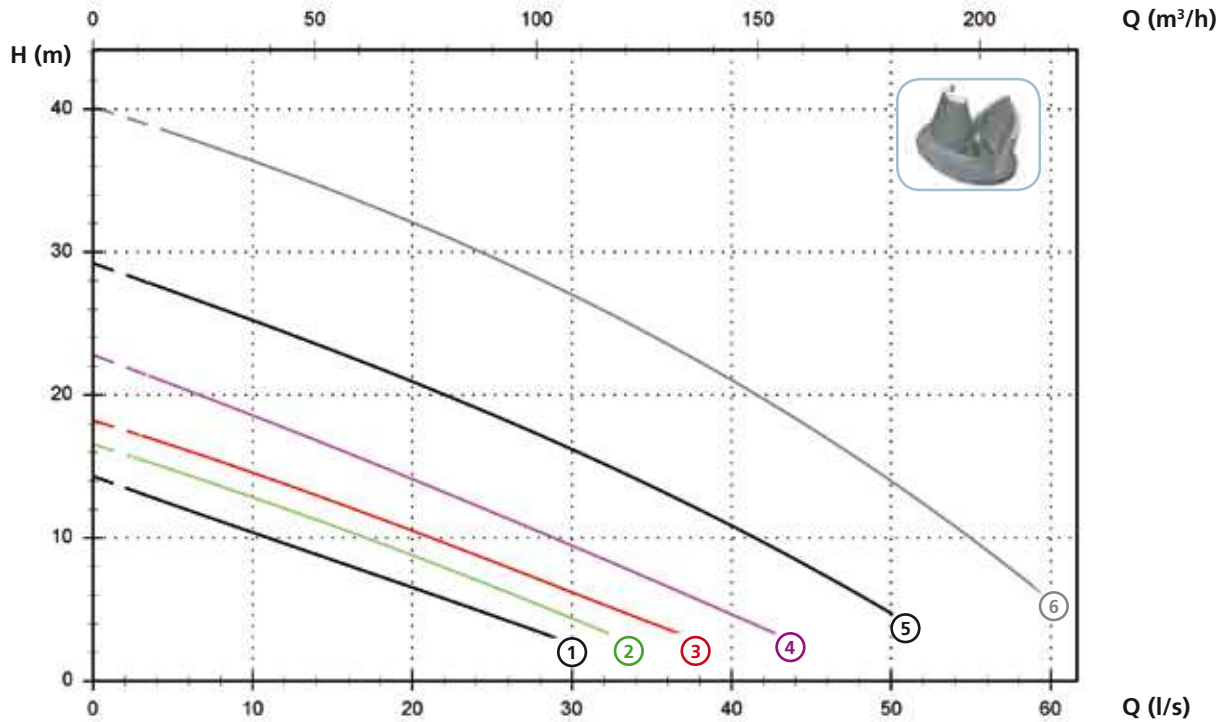
### Technical data

	V	Phases	P1 (kW)	P2 (kW)	A	Rpm	Start	Ø	Free passage
① DRY 300/2/65 A0ET/50	400	3	3.7	2.7	6	2900	Dir	DN65 PN10-16	43 mm
② DRY 400/2/65 A0FT/50	400	3	4.7	3.6	8	2900	Dir	DN65 PN10-16	43 mm

**DRY**

**Models with horizontal DN80 PN10 flanged discharge - 2 poles**

**Performances**



**Technical data**

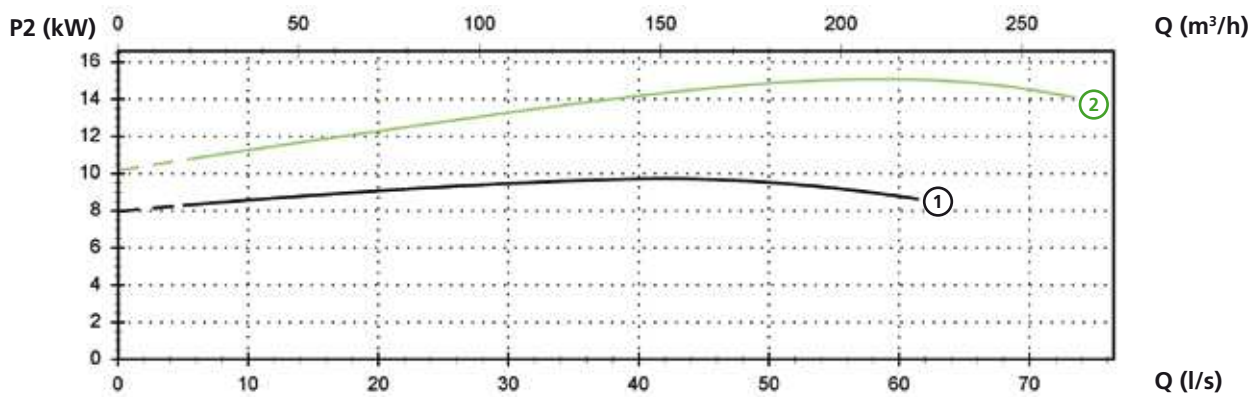
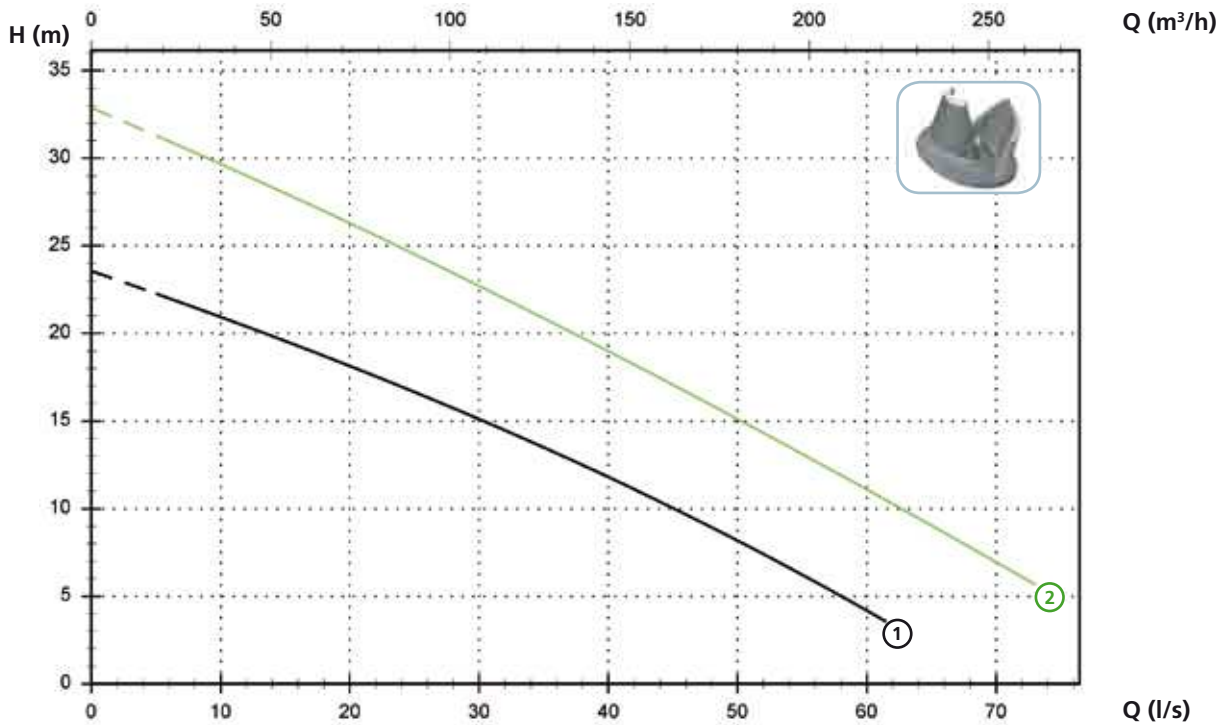
	V	Phases	P1 (kW)	P2 (kW)	A	Rpm	Start	Ø	Free passage	
①	DRY 300/2/80 A0ET/50	400	3	3.7	2.7	6	2900	Dir	DN80 PN10	56 mm
②	DRY 400/2/80 A0FT/50	400	3	4.7	3.6	8	2900	Dir	DN80 PN10	56 mm
③	DRY 550/2/80 A0GT/50	400	3	5.9	4.9	10.1	2900	Dir	DN80 PN10	56 mm
④	DRY 750/2/80 A0HT/50	400	3	8.8	7.2	14.5	2900	Y Δ	DN80 PN10	63 mm
⑤	DRY 1000/2/80 A0HT/50	400	3	12.4	10	19.8	2900	Y Δ	DN80 PN10	65 mm
⑥	DRY 1500/2/80 A0HT/50	400	3	17.7	15	28.2	2900	Y Δ	DN80 PN10	60 mm



# DRY

## Models with horizontal DN100 PN10-16 flanged discharge - 2 poles

### Performances



### Technical data

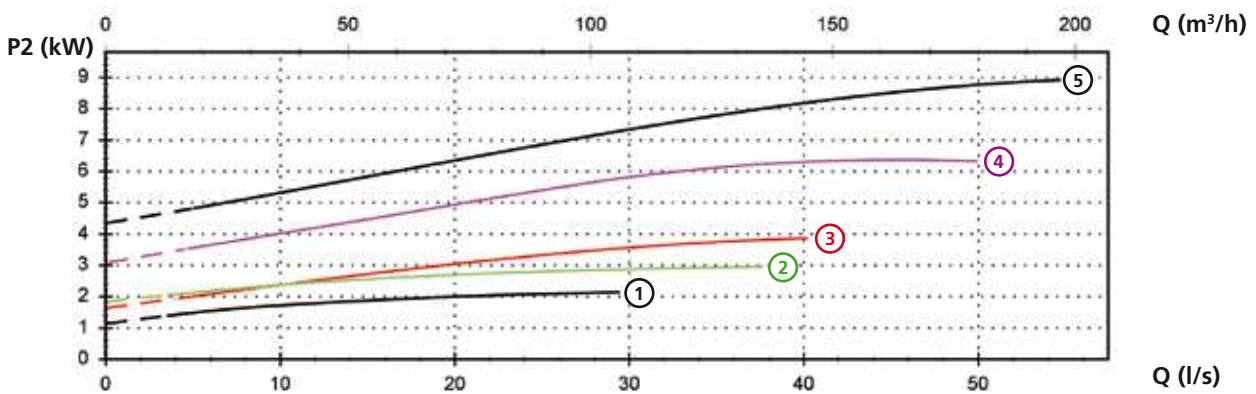
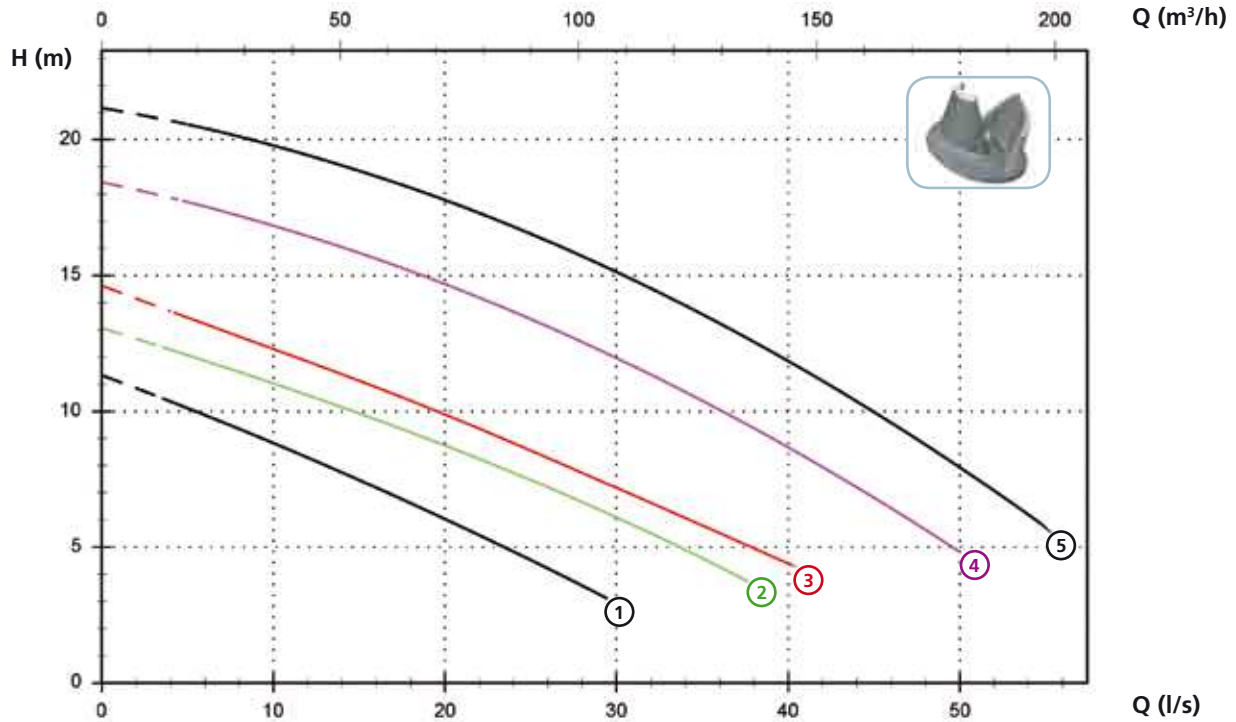
	V	Phases	P1 (kW)	P2 (kW)	A	Rpm	Start	Ø	Free passage	
①	DRY 1000/2/100 A0HT/50	400	3	12.4	10	19.8	2900	Y Δ	DN100 PN10-16	80 mm
②	DRY 1500/2/100 A0HT/50	400	3	17.7	15	28.2	2900	Y Δ	DN100 PN10-16	80 mm



**DRY**

**Models with horizontal DN80 PN10 flanged discharge - 4 poles**

**Performances**



**Technical data**

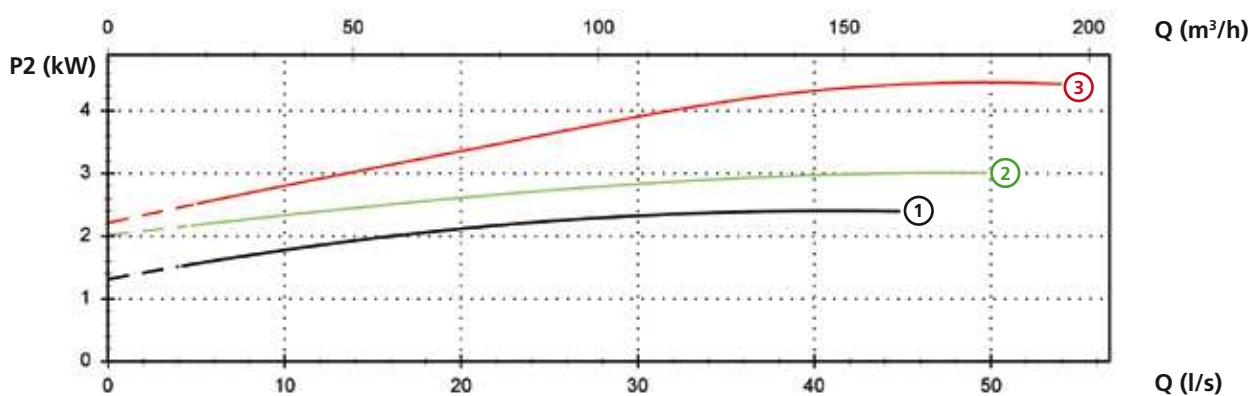
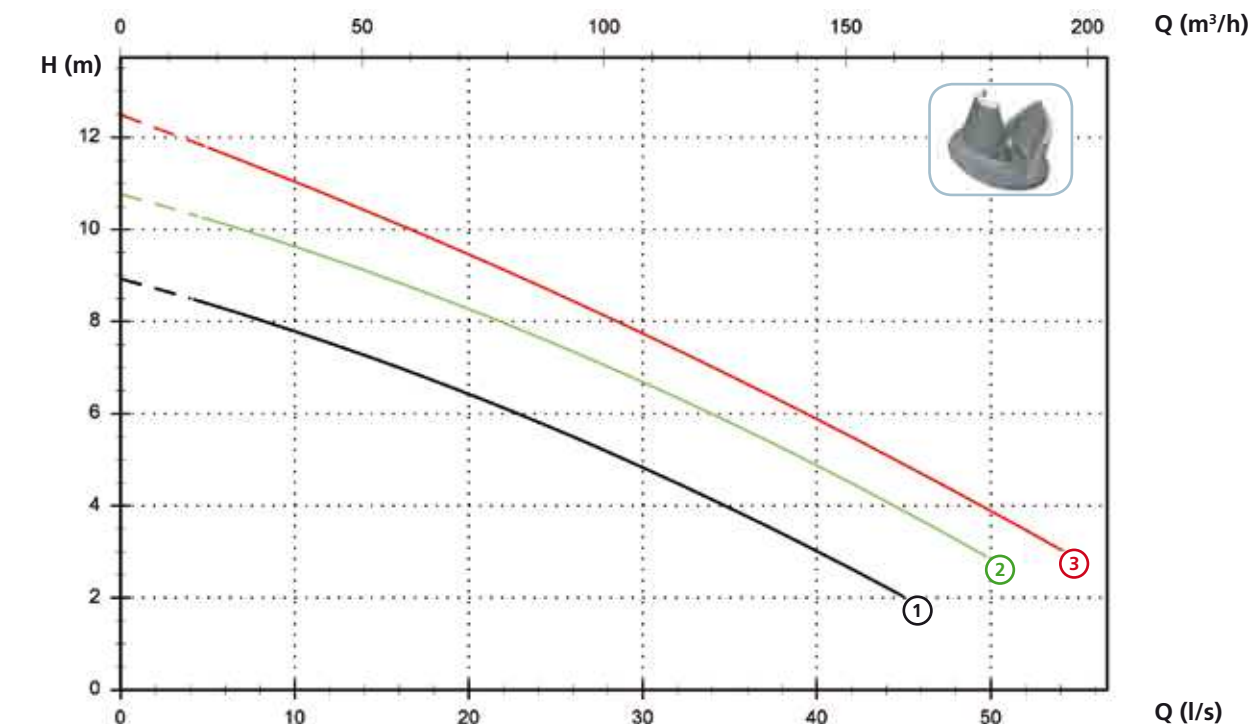
	V	Phases	P1 (kW)	P2 (kW)	A	Rpm	Start	Ø	Free passage	
①	DRY 300/4/80 A0FT/50	400	3	3.1	2.4	6.1	1450	Dir	DN80 PN10	67 mm
②	DRY 400/4/80 A0FT/50	400	3	4.1	3	7.9	1450	Dir	DN80 PN10	67 mm
③	DRY 550/4/80 A0GT/50	400	3	5.9	4.6	10.1	1450	Dir	DN80 PN10	67 mm
④	DRY 750/4/80 A0HT/50	400	3	8.6	6.5	14.9	1450	Y Δ	DN80 PN10	70 mm
⑤	DRY 1000/4/80 A0HT/50	400	3	11.5	8.9	20	1450	Y Δ	DN80 PN10	70 mm



# DRY

## Models with horizontal DN100 PN10-16 flanged discharge - 4 poles

### Performances



### Technical data

	V	Phases	P1 (kW)	P2 (kW)	A	Rpm	Start	Ø	Free passage
① DRY 300/4/100 A0FT/50	400	3	3.1	2.4	6.1	1450	Dir	DN100 PN10-16	76 mm
② DRY 400/4/100 A0FT/50	400	3	4.1	3	7.9	1450	Dir	DN100 PN10-16	76 mm
③ DRY 550/4/100 A0GT/50	400	3	5.9	4.6	10.1	1450	Dir	DN100 PN1016	76 mm

# DRY

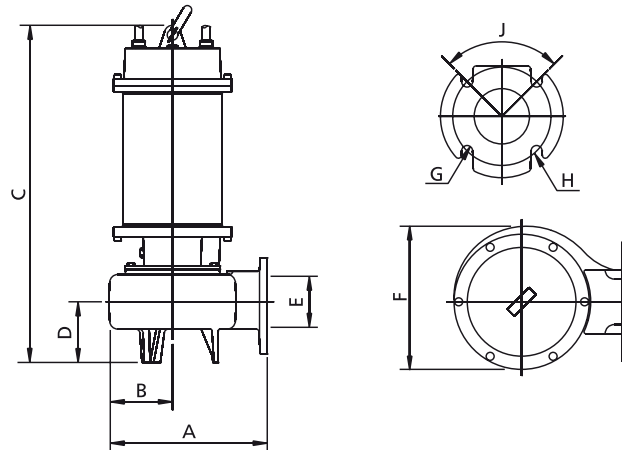
## Versions available

(Key to versions on page 16)

	Electrical variants											Cooling				Mechanical seals			
	N A E	T	T C	T C D	T C D T	T C D G T	T C S T	T C S G T	T S	T R	T R G	N	CC CCE	FT	C G F T	2SIC	SICM	SICAL	2SICAL
DRY 300/2/65 A0ET/50		●										●							●
DRY 400/2/65 A0FT/50		●										●							●
DRY 300/2/80 A0ET/50		●										●							●
DRY 400/2/80 A0FT/50		●										●							●
DRY 550/2/80 A0GT/50		●										●							●
DRY 750/2/80 A0HT/50		●										●							●
DRY 1000/2/80 A0HT/50		●										●							●
DRY 1500/2/80 A0HT/50		●										●							●
DRY 1000/2/100 A0HT/50		●										●							●
DRY 1500/2/100 A0HT/50		●										●							●
DRY 300/4/80 A0FT/50		●										●							●
DRY 400/4/80 A0FT/50		●										●							●
DRY 550/4/80 A0GT/50		●										●							●
DRY 750/4/80 A0HT/50		●										●							●
DRY 1000/4/80 A0HT/50		●										●							●
DRY 300/4/100 A0FT/50		●										●							●
DRY 400/4/100 A0FT/50		●										●							●
DRY 550/4/100 A0GT/50		●										●							●

## Overall dimensions and weights

### 2 poles motor models



	A	B	C	D	E	F	G	H	J	kg
DRY 300/2/65 A0ET/50	270	110	570	105	65	220	18	145	90°	50
DRY 400/2/65 A0FT/50	270	110	645	105	65	220	18	145	90°	54
DRY 300/2/80 A0ET/50	295	120	580	115	80	220	18	160	90°	51
DRY 400/2/80 A0FT/50	295	120	660	115	80	235	18	160	90°	65
DRY 550/2/80 A0GT/50	295	120	665	115	80	235	18	160	90°	62
DRY 750/2/80 A0HT/50	390	150	755	150	80	295	18	160	90°	104
DRY 1000/2/80 A0HT/50	390	150	755	150	80	295	18	160	90°	110
DRY 1500/2/80 A0HT/50	390	150	755	150	80	295	18	160	90°	130
DRY 1000/2/100 A0HT/50	415	160	770	155	100	310	18	180	90°	115
DRY 1500/2/100 A0HT/50	415	160	770	155	100	310	18	180	90°	144

Dimensions in mm

All weights and dimensions are indicative only

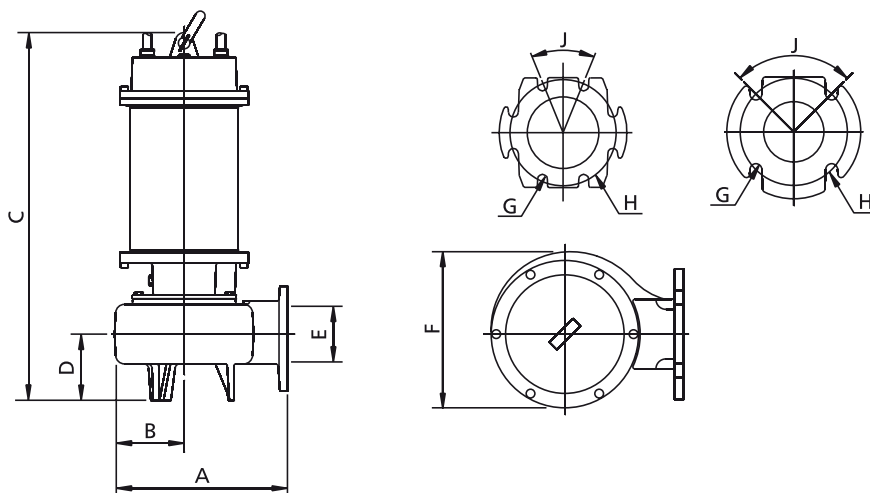




# DRY

## Overall dimensions and weights

### 4 poles motor models



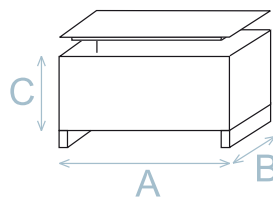
	A	B	C	D	E	F	G	H	J	kg
DRY 300/4/80 A0FT/50	390	150	710	150	80	290	18	160	90°	73
DRY 400/4/80 A0FT/50	390	150	710	150	80	290	18	160	90°	81
DRY 550/4/80 A0GT/50	390	150	720	150	80	290	18	160	90°	87
DRY 750/4/80 A0HT/50	440	170	775	155	80	340	18	160	90°	120
DRY 1000/4/80 A0HT/50	440	170	775	155	80	340	18	160	90°	128
DRY 300/4/100 A0FT/50	415	160	725	155	100	310	18	180	45°	75
DRY 400/4/100 A0FT/50	415	160	720	155	100	310	18	180	45°	85
DRY 550/4/100 A0GT/50	415	160	725	155	100	310	18	180	45°	91

Dimensions in mm

All weights and dimensions are indicative only

## Packaging dimension

	A	B	C
DRY 300/2/65 A0ET/50	725	445	415
DRY 400/2/65 A0FT/50	725	445	415
DRY 300/2/80 A0ET/50	725	445	415
DRY 400/2/80 A0FT/50	725	445	415
DRY 550/2/80 A0GT/50	725	445	415
DRY 750/2/80 A0HT/50	915	515	555
DRY 1000/2/80 A0HT/50	915	515	555
DRY 1500/2/80 A0HT/50	915	515	555
DRY 1000/2/100 A0HT/50	915	515	555
DRY 1500/2/100 A0HT/50	915	515	555
DRY 300/4/80 A0FT/50	725	445	415
DRY 400/4/80 A0FT/50	725	445	415
DRY 550/4/80 A0GT/50	725	445	415
DRY 750/4/80 A0HT/50	915	515	555
DRY 1000/4/80 A0HT/50	915	515	555
DRY 300/4/100 A0FT/50	725	445	415
DRY 400/4/100 A0FT/50	725	445	415
DRY 550/4/100 A0GT/50	725	445	415



Dimension in mm

All weights and dimensions are indicative only

## Installations available

