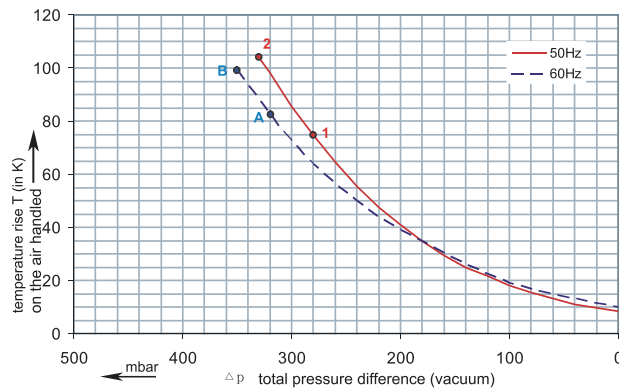
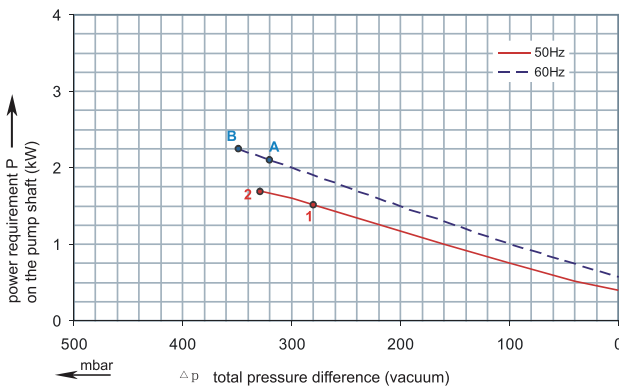
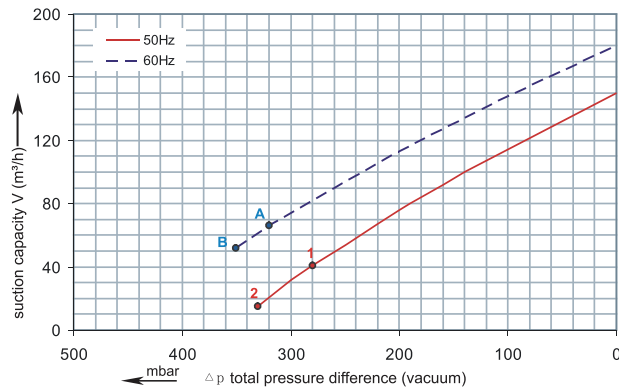




2RSC 32-40

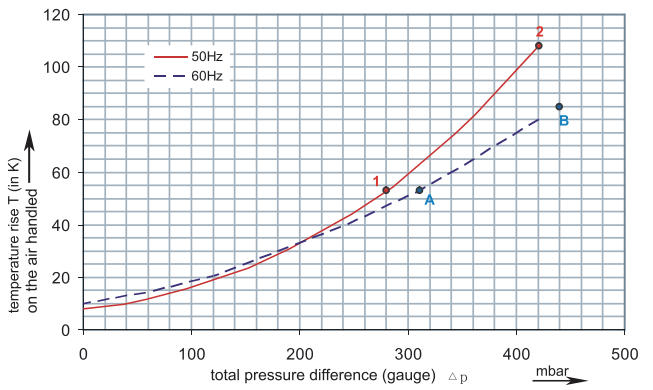
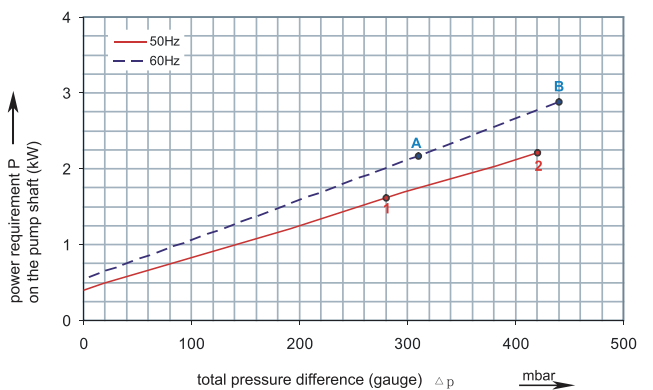
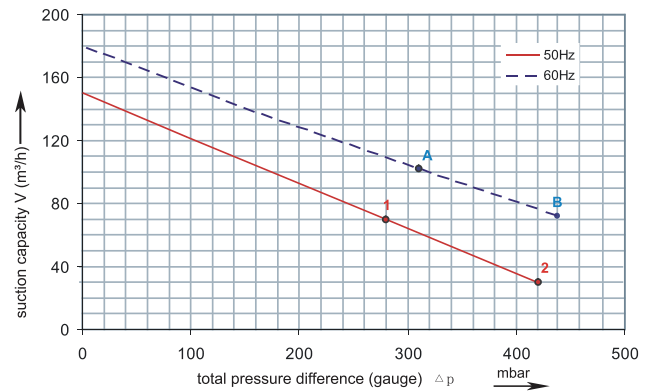
Performance curve for Vacuum pump



The performance curves are based on air at a temperature of 15 °C and an atmospheric pressure of 1013 mbar with a tolerance of +/- 10 %. The total pressure differences are valid for suction and ambient temperatures up to 25 °C. For other conditions please confer with us.

2RSC 32-40

Performance curve for Compressor



Each RSC type can be applied both as vacuum pump and compressor in continuous operation over the total stated performance curve range. The motors are available as standard for the input voltage range of 50 and 60 Hz and for protection category IP 55 as well as approbated for UL and CSA.



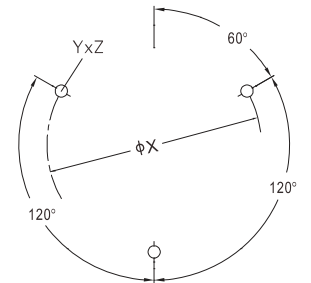
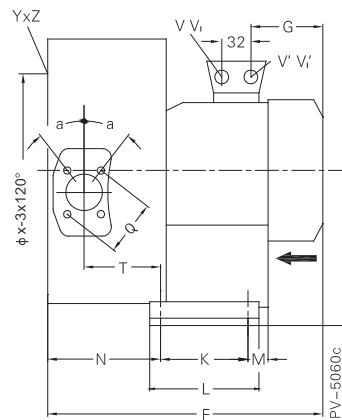
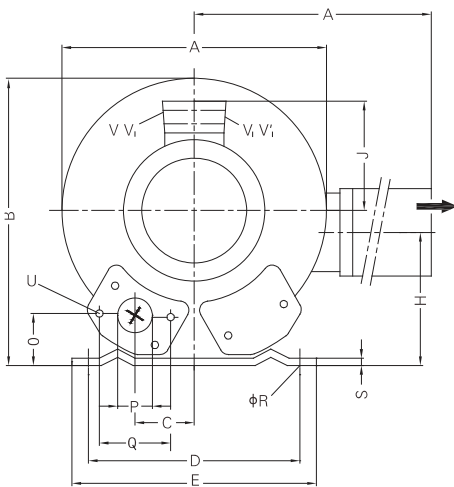
Madan Technologies
Maagan Michael
D. N. Menashe
3780500 Israel

Tel: +972-4-6243353
Fax: +972-4-6243366
sales@madantec.com
www.madantec.com



2RSC 32-40

Curve No.	Model	Freq. (Hz)	Rated power (KW)	Voltage (V)	Current (A)	Sound Level [dB(A)]	Weight (Kg)
1	2RSC32-40 1.6T	50	1.6	200-240 Δ / 345-415Y	8.5 Δ / 4.3Y	66	25
A	2RSC32-40 1.6T	60	2.05	220-275 Δ / 380-480Y	7.6 Δ / 4.4Y	69	25
2	2RSC32-40 2.2T	50	2.2	200-240 Δ / 345-415Y	9.7 Δ / 5.6Y	66	27
B	2RSC32-40 2.2T	60	2.55	220-275 Δ / 380-480Y	10 Δ / 5.8Y	69	27



Model	A	A'	B	C	D	E	F	G	H	H'	J	K	L	M	N	O	ØP
2RSC32-40 1.6T	322	324	315	58	225	255	401	191	154	153	128	95	130	73	151	45	1½"
2RSC32-40 2.2T	322	324	315	58	225	255	401	191	154	153	128	95	130	73	151	45	1½"

Model	Q	ØR	S	T	U	ØX	YxZ	X-Holes
2RSC32-40 1.6T	72	12	3	104	M6x19	174	M6x15	51°/171°/291°
2RSC32-40 2.2T	72	12	3	104	M6x19	174	M6x15	51°/171°/291°



Madan Technologies
Maagan Michael
D. N. Menashe
3780500 Israel

Tel: +972-4-6243353
Fax: +972-4-6243366
sales@madantec.com
www.madantec.com