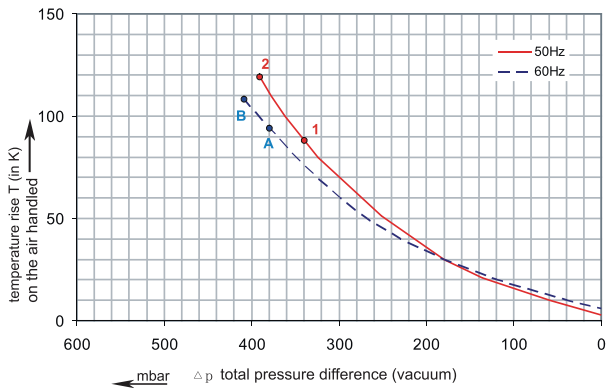
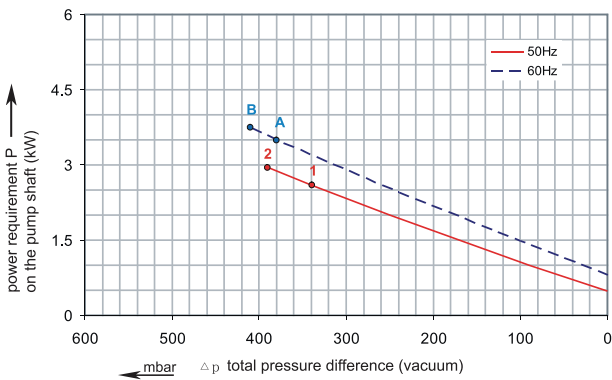
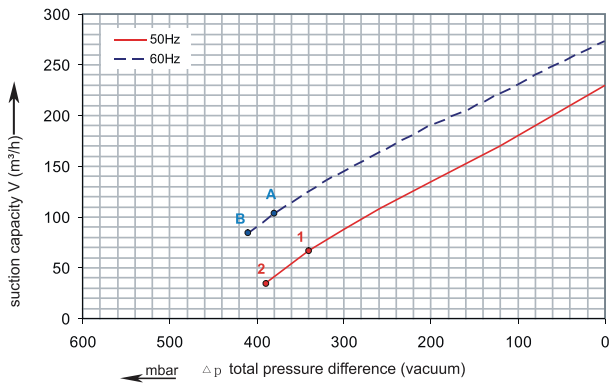




2RSC 37-50

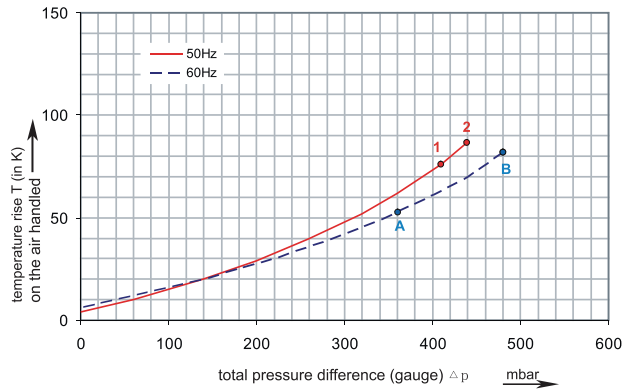
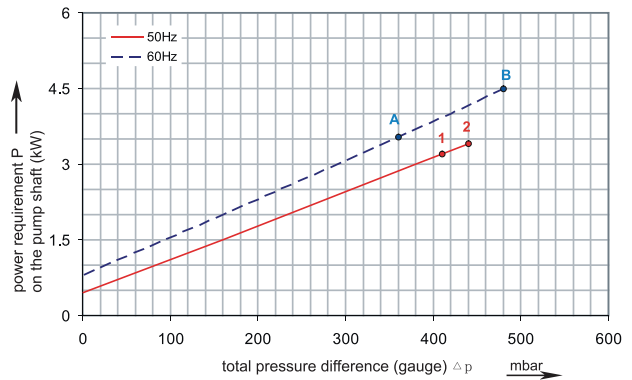
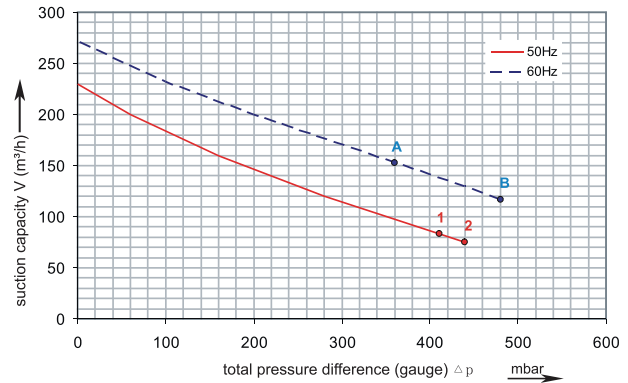
Performance curve for Vacuum pump



The performance curves are based on air at a temperature of 15 °C and an atmospheric pressure of 1013 mbar with a tolerance of +/- 10 %. The total pressure differences are valid for suction and ambient temperatures up to 25 °C. For other conditions please confer with us.

2RSC 37-50

Performance curve for Compressor



Each RSC type can be applied both as vacuum pump and compressor in continuous operation over the total stated performance curve range. The motors are available as standard for the input voltage range of 50 and 60 Hz and for protection category IP 55 as well as approved for UL and CSA.



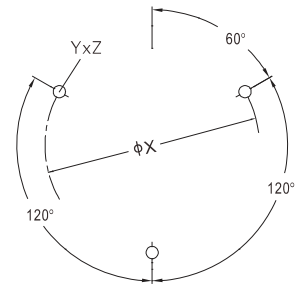
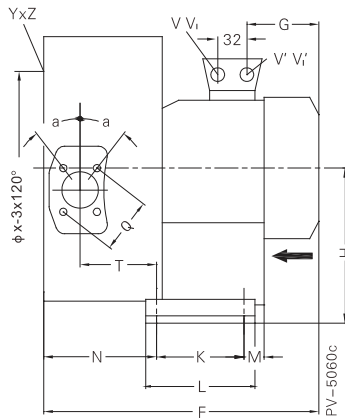
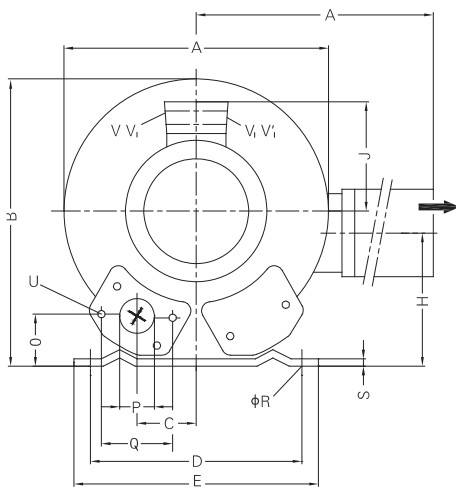
Madan Technologies
Maagan Michael
D. N. Menashe
3780500 Israel

Tel: +972-4-6243353
Fax: +972-4-6243366
sales@madantec.com
www.madantec.com

RENOVA

2RSC 37-50

Curve No.	Model	Freq. (Hz)	Rated power (KW)	Voltage (V)	Current (A)	Sound Level [dB(A)]	Weight (Kg)
1	2RSC37-50 3.0T	50	3	200-240 Δ / 345-415Y	12.5 Δ / 7.2Y	72	40
A	2RSC37-50 3.0T	60	3.45	220-275 Δ / 380-480Y	12.6 Δ / 7.3Y	74	40
2	2RSC37-50 4.0T	50	4	345-415 Δ / 600-720Y	10.0 Δ / 5.8Y	72	44
B	2RSC37-50 4.0T	60	4.6	380-480 Δ / 660-720Y	9.9 Δ / 5.7Y	74	44



Model	A	A'	B	C	D	E	F	G	H	H'	J	K	L	M	N	O	ØP
2RSC37-50 3.0T	372	411	371	60	260	295	465	190	175	144	135	115	155	98	171	48	2"
2RSC37-50 4.0T	372	411	371	60	260	295	499	224	175	144	135	115	155	98	171	48	2"

Model	Q	ØR	S	T	U	ØX	YxZ	X-Holes
2RSC37-50 3.0T	83	14	4	116	M8x17	200	M8x20	51°/171°/291°
2RSC37-50 4.0T	83	14	4	116	M8x17	200	M8x20	51°/171°/291°