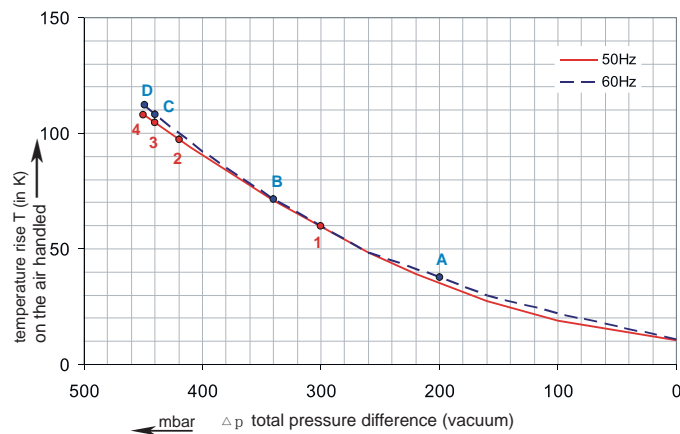
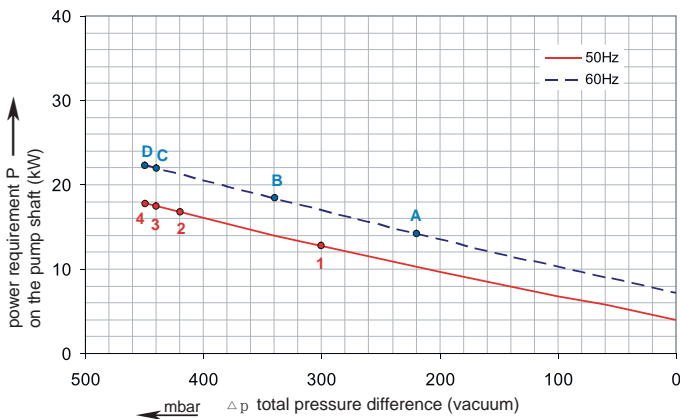
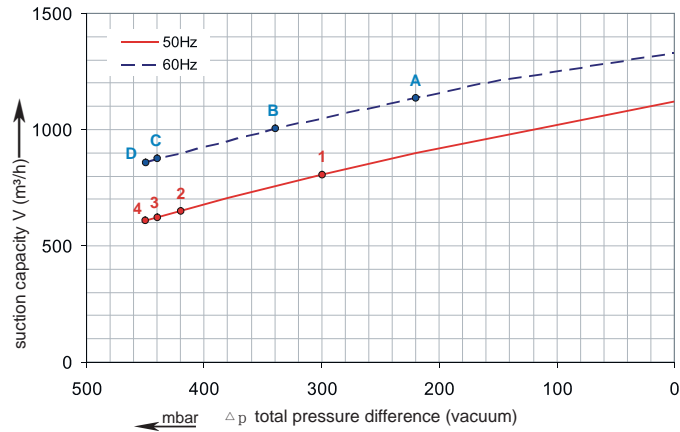


2RSC 61-100

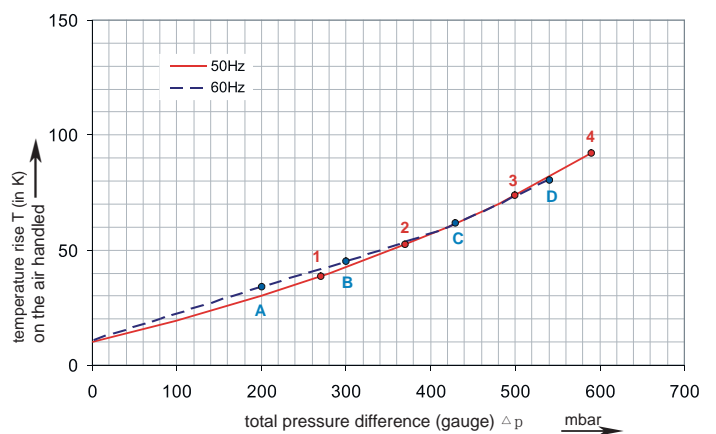
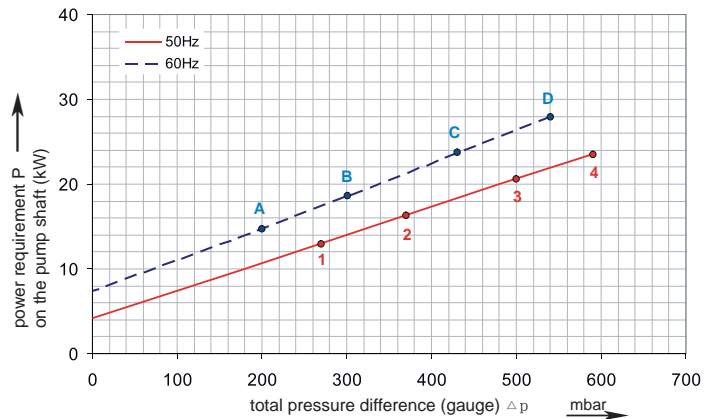
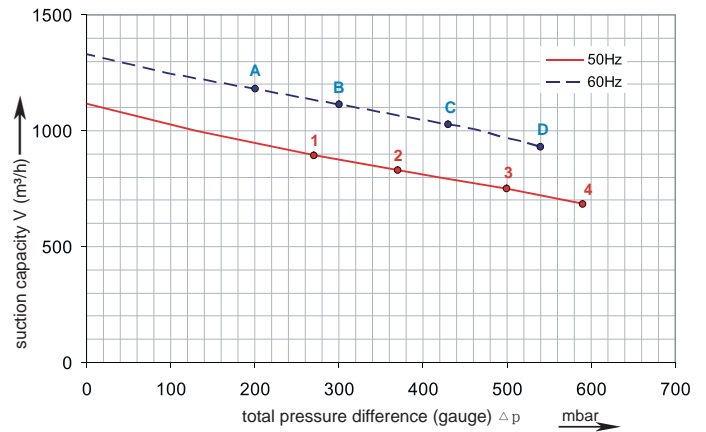
Performance curve for Vacuum pump



The performance curves are based on air at a temperature of 15 °C and an atmospheric pressure of 1013 mbar with a tolerance of +/- 10 %. The total pressure differences are valid for suction and ambient temperatures up to 25 °C. For other conditions please confer with us.

2RSC 61-100

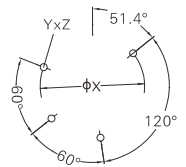
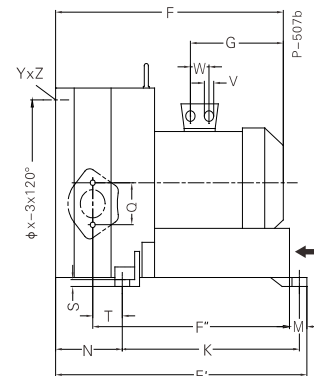
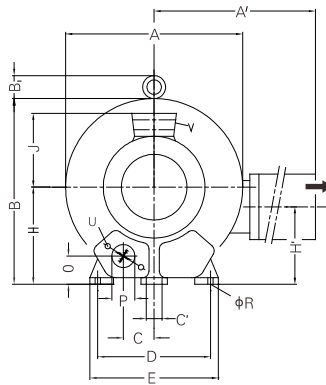
Performance curve for Compressor



Each RSC type can be applied both as vacuum pump and compressor in continuous operation over the total stated performance curve range. The motors are available as standard for the input voltage range of 50 and 60 Hz and for protection category IP 55 as well as approved for UL and CSA.

2RSC 61-100

Curve No.	Model	Freq. (Hz)	Rated power (KW)	Voltage (V)	Current (A)	Sound Level [dB(A)]	Weight (Kg)
1	2RSC61-100 12.5T	50	12.5	345-415Δ / 600-720Y	28.0Δ / 16.2Y	74	187
A	2RSC61-100 12.5T	60	14.5	380-480Δ / 660-720Y	29.0Δ / 16.7Y	84	187
2	2RSC61-100 16.5T	50	16.5	345-415Δ / 600-720Y	35.0Δ / 20.0Y	74	197
B	2RSC61-100 16.5T	60	19.0	380-480Δ / 660-720Y	36.5Δ / 21.0Y	84	197
3	2RSC61-100 20T	50	20.0	345-415Δ / 600-720Y	40.0Δ / 23.0Y	74	204
C	2RSC61-100 20T	60	23.0	380-480Δ / 660-720Y	42.0Δ / 24.2Y	84	204
4	2RSC61-100 25T	70	25.0	345-415Δ / 600-720Y	52.0Δ / 30.0Y	94	211
D	2RSC61-100 25T	80	29.0	380-480Δ / 660-720Y	52.0Δ / 30.0Y	104	211



Model	A	A'	B	C	D	E	F	G	H	H'	J	K	M	N	O	ØP
2RSC61-100 12.5T	615	780	607	104	360	415	752	345	300	236	197	533	39	230	92	4"
2RSC61-100 16.5T	615	780	607	104	360	415	752	345	300	236	197	533	39	230	92	4"
2RSC61-100 20T	615	780	607	104	360	415	752	345	300	236	197	533	39	230	92	4"
2RSC61-100 25T	615	780	607	104	360	415	812	345	300	236	197	533	39	230	92	4"

Model	Q	ØR	S	T	U	ØX	YxZ	X-Holes
2RSC61-100 12.5T	150	15	21	117	M12x30	490	M12x30	51°/120°/240°
2RSC61-100 16.5T	150	15	21	117	M12x30	490	M12x30	51°/120°/240°
2RSC61-100 20T	150	15	21	117	M12x30	490	M12x30	51°/120°/240°
2RSC61-100 25T	150	15	21	117	M12x30	490	M12x30	51°/120°/240°