

ACCESSORI VARI MISCELLANEOUS

MANOMETRO in GLICERINA

GAUGE with GLYCERINE



Codice Part No.	Tipo Type	Scala Scale	Massa Weight		
			gr	oz	
G 1/8 M ATTACCO POSTERIORE / REAR CONNECTION					
22.0234	Ø 40 ABS	16 MPa / 2300 psi	120	4.23	5
22.0235	Ø 40 ABS	30 MPa / 4350 psi	120	4.23	5
G 1/4 M ATTACCO POSTERIORE / REAR CONNECTION					
22.0221	Ø 50 ABS	16 MPa / 2300 psi	135	4.76	5
22.0223	Ø 50 ABS	25 MPa / 3600 psi	135	4.76	5
22.0225	Ø 50 ABS	31.5 MPa / 4500 psi	135	4.76	5
22.0227	Ø 50 ABS	40 MPa / 5800 psi	135	4.76	5
22.0249	Ø 52 INOX / S.Steel	16 MPa / 2300 psi	165	5.82	5
22.0251	Ø 52 INOX / S.Steel	25 MPa / 3600 psi	165	5.82	5
22.0253	Ø 52 INOX / S.Steel	31.5 MPa / 4500 psi	165	5.82	5
22.0222	Ø 63 ABS	16 MPa / 2300 psi	175	6.17	5
22.0224	Ø 63 ABS	25 MPa / 3600 psi	175	6.17	5
22.0226	Ø 63 ABS	31.5 MPa / 4500 psi	175	6.17	5
22.0228	Ø 63 ABS	40 MPa / 5800 psi	175	6.17	5
22.0250	Ø 63 INOX / S.Steel	16 MPa / 2300 psi	180	6.35	5
22.0252	Ø 63 INOX / S.Steel	25 MPa / 3600 psi	180	6.35	5
22.0254	Ø 63 INOX / S.Steel	31.5 MPa / 4500 psi	180	6.35	5
22.0256	Ø 63 INOX / S.Steel	40 MPa / 5800 psi	180	6.35	5
G 1/4 M ATTACCO RADIALE / RADIAL CONNECTION					
22.0213	Ø 50 ABS	16 MPa / 2300 psi	110	3.88	5
22.0215	Ø 50 ABS	25 MPa / 3600 psi	110	3.88	5
22.0217	Ø 50 ABS	31.5 MPa / 4500 psi	110	3.88	5
22.0219	Ø 50 ABS	40 MPa / 5800 psi	110	3.88	5
22.0242	Ø 52 INOX / S.Steel	25 MPa / 3600 psi	140	4.94	5
22.0245	Ø 52 INOX / S.Steel	31.5 MPa / 4500 psi	140	4.94	5
22.0247	Ø 52 INOX / S.Steel	40 MPa / 5800 psi	140	4.94	5
22.0214	Ø 63 ABS	16 MPa / 2300 psi	155	5.47	5
22.0216	Ø 63 ABS	25 MPa / 3600 psi	155	5.47	5
22.0218	Ø 63 ABS	31.5 MPa / 4500 psi	155	5.47	5
22.0220	Ø 63 ABS	40 MPa / 5800 psi	155	5.47	5
22.0241	Ø 63 INOX / S.Steel	16 MPa / 2300 psi	198	6.98	5
22.0243	Ø 63 INOX / S.Steel	25 MPa / 3600 psi	198	6.98	5
22.0246	Ø 63 INOX / S.Steel	31.5 MPa / 4500 psi	198	6.98	5
22.0248	Ø 63 INOX / S.Steel	40 MPa / 5800 psi	198	6.98	5

STAFFA di FISSAGGIO in ACCIAIO ZINCATO

FIXING BRACKET in ZINC PLATED STEEL



Codice Part No.	Tipo Manometro Gauge Type	Massa Weight		
		gr	oz	
22.0236	Ø 50 - ABS	27	0.95	10
22.0238	Ø 50 - Acciaio INOX / S.Steel	31	1.09	10
22.0237	Ø 63 - ABS	46	1.62	10
22.0239	Ø 63 - Acciaio INOX / S.Steel	40	1.41	10

FLANGIA per MANOMETRI

FLANGE for GAUGES



Codice Part No.	Tipo Manometro Gauge Type	Massa Weight		
		gr	oz	
22.0289	Ø 63 - Acciaio INOX / S.Steel	22	0.78	10

BOCCHETTONE per SERBATOIO

FILLER for TANK



Codice Part No.	Lunghezza Length	Materiale Material	Massa Weight		
			gr	oz	
22.0169	L=75 mm - 3"	Acciaio / Steel	77	2.72	10
22.0170	L=110 mm - 4.3"	Acciaio / Steel	113	3.98	10
22.0171	L=170 mm - 6.7"	Acciaio / Steel	175	6.17	10

TAPPO per SERBATOIO

CAP for TANK



Codice Part No.	Colore Color	Dimensioni Dimensions	Materiale Material	Massa Weight		
				gr	oz	
22.0167	Rosso / Red	Ø 39 mm	Plastica / Plastic	20	0.71	10
22.0168	Nero / Black	Ø 39 mm	Plastica / Plastic	20	0.71	10

SIGILLANTE CONSIGLIATO

RECOMMENDED SEALANT



Codice Part No.	Tipo Type	Capacità Capacity	Massa Weight		
			gr	oz	
22.0094	MEDIO - MEDIUM	250 ml - 0.07 U.S. gal	330	11.64	1
22.0095	FORTE - STRONG	250 ml - 0.07 U.S. gal	330	11.64	1

BOBINA TEFLON

TEFLON TAPE



Codice Part No.	Dimensioni Dimensions	Massa Weight		
		gr	oz	
22.0109	12 mm x 12 m / 0.047"x 512"	10	0.35	10

ATTACCO INGRESSO ACQUA


WATER INLET COUPLING



Pressione Ammissibile / Permissible Pressure

1 MPa

145 psi

Codice Part No.	Attacco Connection	Materiale Material	Portagomma Hose Barb	Massa Weight			
				gr	oz		
24.0042	G 3/4 F	Ottone / Brass	Ø 17 mm - 0.67"	51	1.80	10	
24.0043	G 3/4 F	Ottone / Brass	Ø 14 mm - 0.55"	57	2.01	10	

FILTRO 60 Mesh con PORTAGOMMA


INTAKE FILTER 60 Mesh with HOSE BARB



Pressione Ammissibile / Permissible Pressure

1 MPa

145 psi

Codice Part No.	Attacco Connection	Portagomma Hose Barb	Massa Weight			
			gr	oz		
23.0053	G 3/8 M	Ø 14 mm - 0.55"	114	4.02	10	
23.0055	G 1/2 M	Ø 14 mm - 0.55"	122	4.30	10	
23.0057	G 1/2 F	Ø 14 mm - 0.55"	135	4.76	10	
23.0059	G 3/4 F	Ø 14 mm - 0.55"	150	5.29	10	
23.0052	G 3/8 M	Ø 17 mm - 0.67"	115	4.06	10	
23.0054	G 1/2 M	Ø 17 mm - 0.67"	123	4.34	10	
23.0056	G 1/2 F	Ø 17 mm - 0.67"	136	4.80	10	
23.0058	G 3/4 F	Ø 17 mm - 0.67"	150	5.29	10	

ACCUMULATORE PULSATION DAMPER

Pressione Precarica / Precharge Pressure 4 MPa 580 psi
 Temperatura / Temperature 80 °C 176 °F

Codice Part No.	Capacità Volume	Attacco Connection	Tipo Type	Pressione Amm. Perm. Pressure	Massa Weight		
					gr	oz	
22.0182	0.1 l	M18x1.5 F	A	21 MPa / 3045 psi	850	29.98	1
22.0096	0.1 l	3/8 NPT F	A	21 MPa / 3045 psi	898	31.64	1
22.0183	0.35 l	M18x1.5 F	A	21 MPa / 3045 psi	1350	47.62	1
22.0097	0.35 l	1/2 NPT F	A	21 MPa / 3045 psi	1403	49.49	1
22.0098	0.35 l	3/8 NPT F	A	21 MPa / 3045 psi	1365	48.15	1
22.0184	0.04 l	G 3/8 F	B	30 MPa / 4350 psi	990	34.92	1



A



B

TUBO FLESSIBILE in GOMMA NERO R1 1/4 HP225 - COMPLETO

R1 1/4 3620 psi FLEXIBLE BLACK RUBBER HOSE - COMPLETE

Temperatura Nominale / Rated Temperature

150 °C

302 °F



Codice Part No.	Tipo Type	Attacchi Connections	Lung. Length	Massa Weight		
				Kg	oz	
30.0078	1 SC	3/8" FD-3/8" FD con manopole / with bend restrictors	10 mt 25'	2	72.49	10
30.0077	1 SC	3/8" FD-3/8" FD con manopole / with bend restrictors	15 mt 50'	2.7	97.18	10
30.0236	1 SC	3/8" FD-3/8" FD con manopole / with bend restrictors	20 mt 65'	3.5	121.87	10
30.0237	1 SC	M22 F - M22 F con manopole / with bend restrictors	10 mt 25'	2	72.49	10
30.0238	1 SC	M22 F - M22 F con manopole / with bend restrictors	15 mt 50'	2.7	97.18	10
30.0239	1 SC	M22 F - M22 F con manopole / with bend restrictors	20 mt 65'	3.5	121.87	10

TUBO FLESSIBILE in GOMMA NERO R2 5/16 HP350 - COMPLETE

R2 5/16 5075 psi FLEXIBLE BLACK RUBBER HOSE - COMPLETE

Temperatura Nominale / Rated Temperature

150 °C

302 °F



Codice Part No.	Tipo Type	Attacchi Connections	Lung. Length	Massa Weight		
				gr	oz	
30.0102	2 SC	3/8" FD-3/8" FD con manopole / with bend restrictors	10 mt 25'	2	72.49	10
30.0219	2 SC	3/8" FD-3/8" FD con manopole / with bend restrictors	15 mt 50'	2.7	97.18	10
30.0172	2 SC	3/8" FD-3/8" FD con manopole / with bend restrictors	20 mt 65'	4.5	158.73	10
30.0240	2 SC	M22 F - M22 F con manopole / with bend restrictors	10 mt 25'	2	72.49	10
30.0241	2 SC	M22 F - M22 F con manopole / with bend restrictors	15 mt 50'	2.7	97.18	10
30.0242	2 SC	M22 F - M22 F con manopole / with bend restrictors	20 mt 65'	4.5	158.73	10

TUBO in GOMMA NERO per IDROPULITRICI BLACK RUBBER HOSE for H.P. CLEANERS

Temperatura Nominale / Rated Temperature

150 °C 302 °F

Codice Part No.	Dimensione Size	Tipo Type
40.0052	3/16"	R7 SC TEXTILE - 21 MPa-3045 psi
40.0001	1/4"	R1 SC METALLIC - 22.5 MPa-3260 psi
40.0002	5/16"	R1 SC METALLIC - 21.5 MPa-3120 psi
40.0003	3/8"	R1 SC METALLIC - 18 MPa-2610 psi

Codice Part No.	Dimensione Size	Tipo Type
40.0006	5/16"	R2 SC METALLIC - 35 MPa-5075 psi
40.0007	3/8"	R2 SC METALLIC - 35 MPa-5075 psi



TUBO in GOMMA ANTIMACCHIA per IDROPULITRICI STAIN-PROOF RUBBER HOSE for H.P. CLEANERS

Temperatura Nominale / Rated Temperature

150 °C 302 °F

Codice Part No.	Dimensione Size	Tipo Type
40.0009	1/4"	R1 SC METALLIC - 22.5 MPa-3640 psi
40.0010	5/16"	R1 SC METALLIC - 21.5 MPa-3120 psi
40.0011	3/8"	R1 SC METALLIC - 18 MPa-2610 psi

Codice Part No.	Dimensione Size	Tipo Type
40.0013	1/4"	R2 SC METALLIC - 40 MPa-5800 psi
40.0014	5/16"	R2 SC METALLIC - 35 MPa-5075 psi
40.0015	3/8"	R2 SC METALLIC - 35 MPa-5075 psi



MANOPOLE per TUBI FLESSIBILI

BEND RESTRICTORS for RUBBER HOSES



Codice Part No.	Per Tubi For Hoses	Colore Color	Massa Weight		
			gr	oz	
40.0066	1/4" 2SN; 5/16"1SN; 5/16"2SC	NERO	50	1.76	10

NERO: BLACK

Codice Part No.	Per Tubi For Hoses	Colore Color	Massa Weight		
			gr	oz	
40.0044	5/16" 2SN; 3/8"1SC; 3/8"2SC; 3/8"1SN	NERO	37	1.31	10

NERO: BLACK



Codice Part No.	Per Tubi For Hoses	Colore Color	Massa Weight		
			gr	oz	
40.0018	1/4"1SN; 1/4"2SC; 5/16"1SC	NERO	30	1.06	10
40.0019	1/4"1SN; 1/4"2SC; 5/16"1SC	BLU	35	1.23	10

NERO: BLACK BLU:BLUE



Codice Part No.	Per Tubi For Hoses	Colore Color	Massa Weight		
			gr	oz	
40.0020	5/16"1SN; 5/16"2SN; 5/16" 2SC; 3/8"1SC; 3/8"1SN; 3/8"2SC	NERO	62	2.19	10
40.0021	5/16"1SN; 5/16"2SN; 5/16" 2SC; 3/8"1SC; 3/8"1SN; 3/8"2SC	BLU	62	2.19	10

NERO: BLACK BLU: BLUE

Codice Part No.	Per Tubi For Hoses	Colore Color	Massa Weight		
			gr	oz	
40.0022	3/8"2SN	NERO	70	2.47	10
40.0023	3/8"2SN	BLU	50	1.76	10

NERO: BLACK BLU: BLUE

RACCORDO FEMMINA 90° 90° FEMALE CONNECTION



Codice Part No.	Attacco Connection	Tubo Hose	Massa Weight		
			gr	oz	
24.0009	G 1/4 F 90°	1/4"	36	1.27	10
24.0010	G 3/8 F 90°	1/4"	57	2.01	10
24.0011	G 3/8 F 90°	5/16"	59	3.49	10
24.0012	G 3/8 F 90°	3/8"	71	2.50	10

RACCORDO MASCHIO DIRITTO STRAIGHT MALE CONNECTION



Codice Part No.	Attacco Connection	Tubo Hose	Massa Weight		
			gr	oz	
24.0004	G 1/4 Md	1/4"	27	0.95	10
24.0003	G 3/8 Md	1/4"	45	1.59	10

RACCORDO OCCHIELLO a PRESSARE BANJO FITTING



Codice Part No.	Ø Occhio Ø Banjo	Tubo Hose	Massa Weight		
			gr	oz	
24.0116	1/4 Op	1/4"	30	1.06	10
24.0117	3/8 Op	1/4"	40	1.41	10
24.0118	3/8 Op	5/16"	54	1.90	10
24.0119	3/8 Op	3/8"	52	1.83	10

VITE CAVA per RACCORDO OCCHIELLO BOLT for BANJO FITTING



Codice Part No.	Attacco Connection	Massa Weight		
		gr	oz	
24.0123	G 1/4 M	30	1.06	10
24.0124	G 3/8 M	55	1.94	10

GIRELLO M22 F

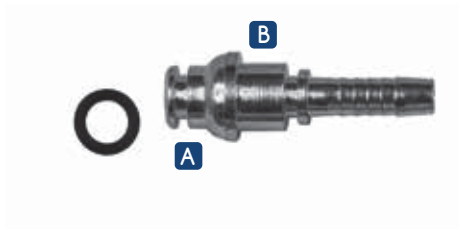
M22 F RING NUT



Codice Part No.	Attacco Connection	Passaggio Hole	Massa Weight		
			gr	oz	
24.0249	M22 F	Ø 16	38	1.34	25

RACCORDO per IDROPULITRICE solo corpo

Single piece CONNECTOR for H.P. CLEANER



Codice Part No.	Diametro A Diameter A	Diametro B Diameter B	Tubo Hose	Massa Weight		
				gr	oz	
24.0149	14 mm - 0.55"	15 mm - 0.59"	1/4"	38	1.34	25
24.0153	14 mm - 0.55"	15 mm - 0.59"	5/16"	41	1.45	25
24.0154	14 mm - 0.55"	15 mm - 0.59"	3/8"	46	1.62	25

ANELLO di TENUTA O-RING di RICAMBIO

REPLACEMENT O-RING SEAL



Codice Part No.	Descrizione Description	
39.0018	Ricambio O-Ring per Raccordo Ø14 mm Replacement O-Ring for Connection Ø 0.55"	25
39.0154	Ricambio O-Ring per Raccordo Ø15 mm Replacement O-Ring for Connection Ø 0.59"	25

RONDELLA di TENUTA in RAME

COPPER SEALING WASHER



Codice Part No.	Attacco Connection	Massa Weight		
		gr	oz	
39.0276	1/4"	2	0.07	25
39.0277	3/8"	2	0.07	25
39.0278	1/2"	2	0.07	25

RONDELLA in ACCIAIO con TENUTA INTERNA in GOMMA

STEEL WASHER with INNER RUBBER SEAL

Codice Part No.	Attacco Connection	Massa Weight		
		gr	oz	25
39.0280	1/4"	3	0.11	25
39.0281	3/8"	3	0.11	25



GHIERA per TUBO COMPATTO 15C

FERRULE for COMPACT HOSE 15C

Codice Part No.	Tipo Type	Tubo Hose	Massa Weight		
			gr	oz	25
24.0014	1SC	1/4"	20	0.71	25
24.0015	1SC	5/16"	25	0.88	25
24.0016	1SC	3/8"	24	0.85	25



GHIERA per TUBO 15N e COMPATTO 25C

FERRULE for HOSES 15N and COMPACT HOSE 25C

Codice Part No.	Tipo Type	Tubo Hose	Massa Weight		
			gr	oz	25
24.0136	1SN+2SC	1/4"	30	1.06	25
24.0017	1SN+2SC	5/16"	30	1.06	25
24.0018	1SN+2SC	3/8"	30	1.06	25



GHIERA per TUBO 25N

FERRULE for HOSE 25N

Codice Part No.	Tipo Type	Tubo Hose	Massa Weight		
			gr	oz	25
24.0140	2SN	1/4"	23	0.81	25
24.0141	2 SN	5/16"	30	1.06	25
24.0142	2 SN	3/8"	37	1.31	25



ADATTATORE MASCHIO-MASCHIO

MALE-MALE ADAPTER



Codice Part No.	Entrata Inlet	Uscita Outlet	Pressione Amm. Perm. Pressure	Massa Weight		
				gr	oz	
24.0127	G 1/4 M	G 1/4 M	40 MPa / 5800 psi	35	1.23	20
24.0128	G 1/4 M	G 3/8 M	40 MPa / 5800 psi	35	1.23	20
24.0129	G 3/8 M	G 3/8 M	40 MPa / 5800 psi	50	1.76	20
24.0130	G 3/8 M	G 1/2 M	35 MPa / 5075 psi	71	2.50	20
24.0131	G 1/4 M	G 1/2 M	35 MPa / 5075 psi	71	2.50	20

Material / Material: Acciaio Zincato / Zinc Plated Steel

ADATTATORE MASCHIO-MASCHIO INOX

STAINLESS STEEL MALE-MALE ADAPTER



Codice Part No.	Entrata Inlet	Uscita Outlet	Pressione Amm. Perm. Pressure	Massa Weight		
				gr	oz	
24.0621	G 1/4 M	G 1/4 M	45 MPa / 6500 psi	35	1.23	10
24.0622	G 1/4 M	G 3/8 M	45 MPa / 6500 psi	45	1.58	10
24.0627	G 1/4 M	G 1/2 M	45 MPa / 6500 psi	70	2.46	10
24.0628	G 3/8 M	G 3/8 M	45 MPa / 6500 psi	55	1.94	10
24.0629	G 3/8 M	G 1/2 M	45 MPa / 6500 psi	75	2.64	10
24.0630	G 1/2 M	G 1/2 M	45 MPa / 6500 psi	95	3.35	10

Material / Material: Acciaio Inox / Stainless Steel

ADATTATORE MASCHIO-FEMMINA

MALE-FEMALE ADAPTER



Codice Part No.	Entrata Inlet	Uscita Outlet	Pressione Amm. Perm. Pressure	Massa Weight		
				gr	oz	
38.0061	1/4 NPT M	G 1/4 F	28 MPa / 4060 psi	45	1.59	20
24.0409	G 1 M	G 1 F	25 MPa / 3625 psi	250	8.82	20

Material / Material: Acciaio Zincato / Zinc Plated Steel

ADATTATORE FEMMINA-FEMMINA

FEMALE-FEMALE ADAPTER



Codice Part No.	Entrata Inlet	Uscita Outlet	Pressione Pressure	Massa Weight		
				gr	oz	
38.0062	G 1/8 F	G 1/8 F	28 MPa / 4060 psi	20	0.71	20
38.0048	G 1/8 F	G 1/4 F	28 MPa / 4060 psi	25	0.88	20
38.0001	G 1/4 F	G 1/4 F	28 MPa / 4060 psi	22	0.78	20
24.0399	G 3/8 F	G 3/8 F	28 MPa / 4060 psi	30	1.06	20

Material / Material: Acciaio Zincato / Zinc Plated Steel

ATTACCO a BAIONETTA tipo K con O-RING BAYONET fitting K type with O-RING

Pressione Ammissibile / Permissible Pressure

15 MPa 2200 psi

Codice Part No.	Entrata Inlet	Uscita Outlet	Materiale Material	Massa Weight		
				gr	oz	
37.0259	Baionetta/Bayonet	G 1/4 F	Plastica/Plastic	103	3.63	10
24.0459	Baionetta/Bayonet	G 1/4 F	Ottone/Brass	101	3.56	10



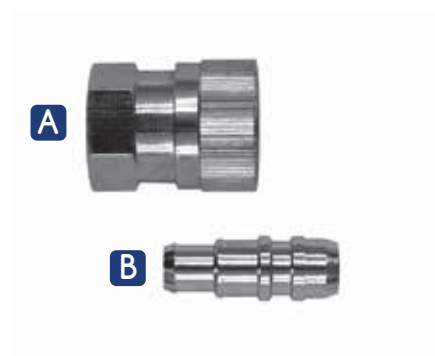
ATTACCO RAPIDO a SFERE BASSA PRESSIONE LOW PRESSURE BALL QUICK COUPLING

Pressione Ammissibile / Permissible Pressure

1.5 MPa 220 psi

Codice Part No.	Attacco Connection	Tipo Type	Materiale Material	Massa Weight		
				gr	oz	
24.0256	G 3/4 F	A	Ottone Cromato	155	5.47	10
24.0257	G 3/4 M	A	Ottone Cromato	65	2.29	10
24.0258	P.G. Ø15/19 - 0.59"/0.75"	B	Ottone Cromato	25	0.28	10

Ottone Cromato: Chrome Plated Brass Portagomma / Hose Barb

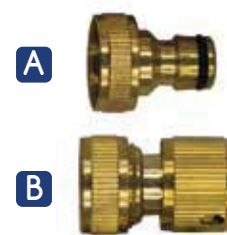


ATTACCO RAPIDO a SFERE BASSA PRESSIONE LOW PRESSURE BALL QUICK COUPLING

Pressione Ammissibile / Permissible Pressure

1 MPa 145 psi

Codice Part No.	Attacco Inlet	Tipo Type	Materiale Material	Massa Weight		
				gr	oz	
24.0265	G 3/4 F c/guarnizione w/seal	A	Ottone / Brass	35	1.23	10
24.0645	G 3/4 F c/filtro w/filter	A	Ottone / Brass	35	1.23	10
24.0266	per tubo Ø12/15 for hose Ø0.47"-0.75"	B	Ottone / Brass	92	3.25	10



ATTACCO RAPIDO a SFERA BCS45

BCS45 BALL QUICK COUPLING

NEW



Pressione Nominale / Rated Pressure	40 MPa	5800 psi
Pressione Ammissibile / Permissible Pressure	45 MPa	6525 psi
Flusso Nominale/ Rated Flow	60 l/min	16 U.S. gal/min
Temperatura Nominale / Rated Temperature	160 °C	320 °F

Codice Part No.	Attacco Connection	Materiale Material	Massa Weight			
			gr	oz		
24.0633	G 3/8 F	Inox / S.Steel	160	5.64	5	

ATTACCO RAPIDO a SFERA BC35

BC35 BALL QUICK COUPLING

NEW



Pressione Nominale / Rated Pressure	31 MPa	4500 psi
Pressione Ammissibile / Permissible Pressure	35 MPa	5075 psi
Flusso Nominale/ Rated Flow	60 l/min	16 U.S. gal/min
Temperatura Nominale / Rated Temperature	160 °C	320 °F

Codice Part No.	Attacco Connection	Materiale Material	Massa Weight			
			gr	oz		
24.0641	G 3/8 F	Ottone Nichelato / Nickel Plated Brass	180	6.35	10	

INNESTO RAPIDO BPS45

BPS45 QUICK COUPLING

NEW



Pressione Nominale / Rated Pressure	40 MPa	5800 psi
Pressione Ammissibile / Permissible Pressure	45 MPa	6525 psi
Flusso Nominale/ Rated Flow	60 l/min	16 U.S. gal/min
Temperatura Nominale / Rated Temperature	160 °C	320 °F

Codice Part No.	Attacco Connection	Materiale Material	Massa Weight			
			gr	oz		
24.0634	G 3/8 F	Inox / S.Steel	65	2.29	5	

INNESTO RAPIDO BP35

BP35 QUICK COUPLING

NEW

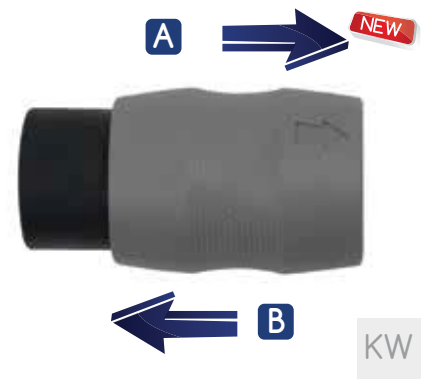


Pressione Nominale / Rated Pressure	31 MPa	4500 psi
Pressione Ammissibile / Permissible Pressure	35 MPa	5075 psi
Flusso Nominale/ Rated Flow	60 l/min	16 U.S. gal/min
Temperatura Nominale / Rated Temperature	160 °C	320 °F

Codice Part No.	Attacco Connection	Materiale Material	Massa Weight			
			gr	oz		
24.0642	G 3/8 F	Acciaio Zincato / Zinc Plated Steel	72	2.54	5	

ATTACCO RAPIDO a SFERA KC545 KC545 BALL QUICK COUPLING

Pressione Nominale / Rated Pressure	40 MPa	5800 psi
Pressione Ammissibile / Permissible Pressure	45 MPa	6525 psi
Flusso Nominale/ Rated Flow	60 l/min	16 U.S. gal/min
Temperatura Nominale / Rated Temperature	160 °C	320 °F



Codice Part No.	Attacco Connection	Tipo Type	Materiale Material	Massa Weight		
				gr	oz	
24.0625	G 1/4 M	A	Inox / S.Steel	200	7.05	5
24.0626	G 1/4 M	B	Inox / S.Steel	195	6.87	5

ATTACCO RAPIDO a SFERA KC35 KC35 BALL QUICK COUPLING

Pressione Nominale / Rated Pressure	31 MPa	4500 psi
Pressione Ammissibile / Permissible Pressure	35 MPa	5075 psi
Flusso Nominale/ Rated Flow	45 l/min	12 U.S. gal/min
Temperatura Nominale / Rated Temperature	160 °C	320 °F



Codice Part No.	Attacco Connection	Tipo Type	Materiale Material	Massa Weight		
				gr	oz	
24.0619	G 1/4 M	A	Ottone / Brass	210	7.41	5
24.0620	G 1/4 M	B	Ottone / Brass	205	7.23	5

INNESTO RAPIDO KP522 KP522 QUICK COUPLING

Pressione Nominale / Rated Pressure	20 MPa	2900 psi
Pressione Ammissibile / Permissible Pressure	22 MPa	3200 psi
Flusso Nominale/ Rated Flow	60 l/min	16 U.S. gal/min
Temperatura Nominale / Rated Temperature	160 °C	320 °F



Codice Part No.	Attacco Connection	Materiale Material	Massa Weight		
			gr	oz	
24.0644	G 1/4 F	Inox / S.Steel AISI 303	80	2.82	5

INNESTO RAPIDO KP545 KP545 QUICK COUPLING

Pressione Nominale / Rated Pressure	40 MPa	5800 psi
Pressione Ammissibile / Permissible Pressure	45 MPa	6525 psi
Flusso Nominale/ Rated Flow	60 l/min	16 U.S. gal/min
Temperatura Nominale / Rated Temperature	160 °C	320 °F



Codice Part No.	Attacco Connection	Materiale Material	Massa Weight		
			gr	oz	
24.0635	G 1/4 F	Inox / S.Steel AISI 420	80	2.82	5

ATTACCO RAPIDO a GHIERA M22 F con PISTONE Ø14 mm

M22 F RING NUT QUICK COUPLING with Ø0.55" PISTON



Pressione Ammissibile / Permissible Pressure	28 MPa	4060 psi
Flusso Nominale / Rated Flow	40 l/min	10.5 U.S. gal/min
Temperatura Nominale / Rated Temperature	160 °C	320 °F

Codice Part No.	Attacco Connection	Pezzi Pieces	Massa Weight			
			gr	oz		
24.0026	G 1/2 M	A	3	111	3.92	20
24.0027	G 3/8 M	A	3	105	3.70	20
24.0028	G 3/8 F	A	3	108	3.81	20
24.0029	G 1/4 M	A	3	100	3.53	20
24.0030	G 1/4 F	A	3	102	3.60	20
24.0031	G 1/8 F	A	3	100	3.53	20
24.0034	G 1/4 M	B	2	65	2.29	20
24.0033	G 1/4 F	B	2	65	2.29	20

ATTACCO RAPIDO a GHIERA M22 F con PISTONE Ø14 mm a 2 O-RING

M22 F RING NUT QUICK COUPLING with 2 O-RINGS Ø0.55" PISTON



Pressione Ammissibile / Permissible Pressure	28 MPa	4060 psi
Flusso Nominale / Rated Flow	40 l/min	10.5 U.S. gal/min
Temperatura Nominale / Rated Temperature	160 °C	320 °F

Codice Part No.	Attacco Connection	Pezzi Pieces	Massa Weight			
			gr	oz		
24.0035	G 1/4 F	A	2	100	3.53	20
24.0036	G 1/4 M	B	3	85	3.00	20
24.0037	G 3/8 M	B	3	95	3.35	20
24.0038	M22 M	B	3	70	2.47	20

ATTACCO RAPIDO M22 M con PISTONE Ø14 mm

M22 M QUICK COUPLING with Ø0.55" PISTON




Pressione Ammissibile / Permissible Pressure	28 MPa	4060 psi
Flusso Nominale / Rated Flow	40 l/min	10.5 U.S. gal/min
Temperatura Nominale / Rated Temperature	160 °C	320 °F

Codice Part No.	Attacco Connection	Massa Weight			
		gr	oz		
24.0019	G 1/2 M		68	2.40	20
24.0020	G 3/8 M		62	2.19	20
24.0021	G 3/8 F		65	2.29	20
24.0632	G 1/4 F		59	2.08	20
35.0001	G 1/4 M		60	2.12	20
24.0023	G 1/4 F (2 OR)		65	2.29	20

ATTACCO RAPIDO a GHIERA G 1/2 F con PISTONE Ø14 mm

G 1/2 F RING NUT QUICK COUPLING with Ø0.55" PISTON

Pressione Ammissibile / Permissible Pressure	28 MPa	4060 psi
Flusso Nominale / Rated Flow	40 l/min	10.5 U.S. gal/min
Temperatura Nominale / Rated Temperature	160 °C	320 °F


Codice Part No.	Attacco Connection	Pezzi Pieces	Massa Weight		
			gr	oz	
24.0230	G 1/2 M	3	110	3.88	20
24.0231	G 3/8 M	3	105	3.70	20
24.0232	G 3/8 F	3	100	2.53	20
24.0233	G 1/4 M	3	75	2.65	20
24.0234	G 1/4 F	3	80	2.82	20



ATTACCO RAPIDO a GHIERA G 1/2 F con PISTONE Ø11 mm

G 1/2 F RING NUT QUICK COUPLING with Ø0.43" PISTON

Pressione Ammissibile / Permissible Pressure	28 MPa	4060 psi
Flusso Nominale / Rated Flow	40 l/min	10.5 U.S. gal/min
Temperatura Nominale / Rated Temperature	160 °C	320 °F

Codice Part No.	Attacco Connection	Pezzi Pieces	Massa Weight		
			gr	oz	
24.0239*	G 3/8 M	3	110	3.88	20
24.0240*	G 3/8 F	3	100	3.53	20
24.0241*	G 1/4 M	3	80	2.82	20
24.0242*	G 1/4 F	3	90	3.17	20

* a richiesta con lotto minimo / on demand with minimum quantity



ATTACCO RAPIDO G 1/2 M

G 1/2 M QUICK COUPLING

Pressione Ammissibile / Permissible Pressure	25 MPa	3625 psi
Flusso Nominale / Rated Flow	40 l/min	10.5 U.S. gal/min
Temperatura Nominale / Rated Temperature	160 °C	320 °F

Codice Part No.	Attacco Connection	Ø Pistone Ø Piston	Massa Weight		
			gr	oz	
24.0223	G 3/8 F	14 mm - 0.55"	63	2.22	20
35.0105	G 1/8 F	14 mm - 0.55"	57	2.01	20
24.0224*	G 3/8 M	11 mm - 0.43"	60	2.12	20
24.0225*	G 3/8 F	11 mm - 0.43"	55	1.94	20
24.0227*	G 1/4 F	11 mm - 0.43"	65	2.29	20

* a richiesta con lotto minimo / on demand with minimum quantity

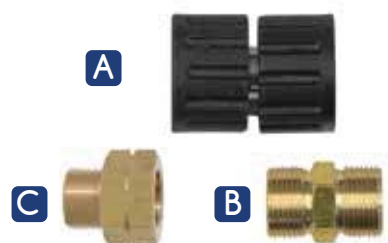


ATTACCO RAPIDO per CONNESSIONE TUBI FLESSIBILI

QUICK COUPLING for HIGH PRESSURE HOSES

Pressione Ammissibile / Permissible Pressure	28 MPa	4060 psi
Temperatura Nominale / Rated Temperature	160 °C	320 °F

Codice Part No.	Attacchi Connections	Tipo Type	Massa Weight		
			gr	oz	
24.0032	M22 F-M22 F	A	75	2.65	20
24.0024	M22 M-M22 M	B	55	1.94	20
24.0461	M22 F-M22 M	C	92	3.25	20

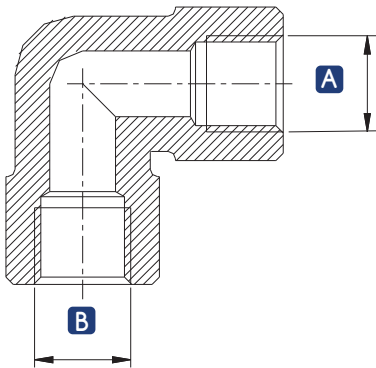




Disponibili curve con filettature incrociate tra 1/4, 3/8 e 1/2 per quantità minime.

Elbows with 1/4, 3/8 and 1/2 mixed threads are available for minimum quantities.

CURVA FEMMINA-FEMMINA FEMALE-FEMALE ELBOW

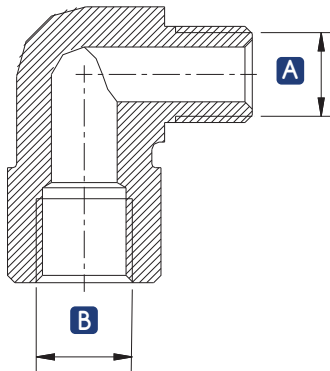


Pressione Ammissibile / Permissible Pressure

30 MPa 4350 psi

Codice Part No.	A	B	Materiale Material	Massa Weight		
				gr	oz	
24.0271	G 1/4	G 1/4	Ottone / Brass	104	3.67	25
24.0272	G 3/8	G 3/8	Ottone / Brass	113	3.99	25

CURVA FEMMINA-MASCHIO FEMALE-MALE ELBOW

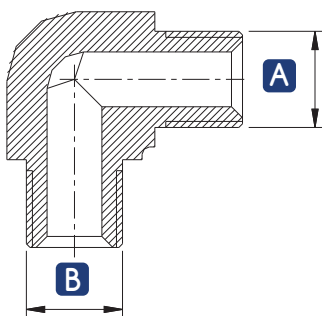


Pressione Ammissibile / Permissible Pressure

30 MPa 4350 psi

Codice Part No.	A	B	Materiale Material	Massa Weight		
				gr	oz	
24.0281	G 1/4	G 1/8	Ottone / Brass	78	2.75	25
24.0276	G 1/4	G 1/4	Ottone / Brass	80	2.82	25
24.0283	G 3/8	G 1/4	Ottone / Brass	91	3.21	25
24.0277	G 3/8	G 3/8	Ottone / Brass	93	3.28	25
24.0278	G 1/2	G 1/2	Ottone / Brass	162	5.71	25

CURVA MASCHIO-MASCHIO MALE-MALE ELBOW



Pressione Ammissibile / Permissible Pressure

30 MPa 4350 psi

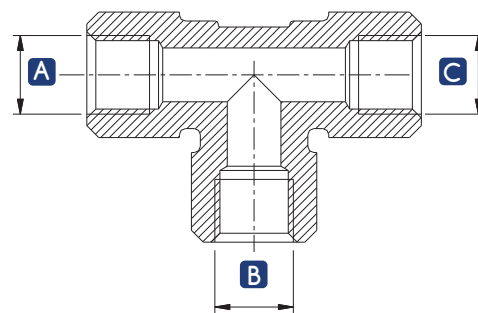
Codice Part No.	A	B	Materiale Material	Massa Weight		
				gr	oz	
24.0288	G 1/4	G 1/4	Ottone / Brass	58	2.05	25
24.0285	G 3/8	G 1/4	Ottone / Brass	65	2.29	25
24.0289	G 3/8	G 3/8	Ottone / Brass	75	2.65	25
24.0282	G 1/2	G 1/4	Ottone / Brass	72	2.54	25
24.0287	G 1/2	G 3/8	Ottone / Brass	84	3.25	25
24.0290	G 1/2	G 1/2	Ottone / Brass	92	5.08	25
24.0291	G 1/2	G 1/2	Ottone / Brass	144	5.08	25



Disponibili T con filettature incrociate tra 1/4, 3/8 e 1/2 per quantità minime.

T with 1/4, 3/8 and 1/2 mixed threads are available for minimum quantities.

T FEMMINA-FEMMINA-FEMMINA T SHAPED FEMALE-FEMALE-FEMALE ELBOW

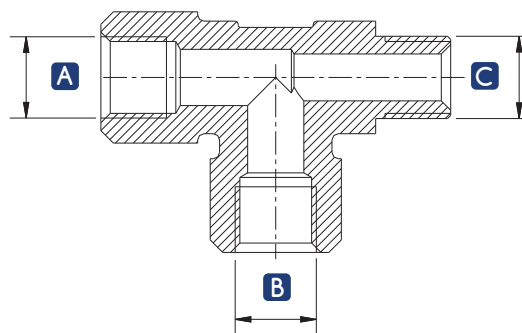


Pressione Ammissibile / Permissible Pressure

30 MPa 4350 psi

Codice Part No.	A	B	C	Materiale Material	Massa Weight		
					gr	oz	
24.0298	G 3/8	G 1/4	G 3/8	Ottone / Brass	146	5.15	25
24.0308	G 3/8	G 3/8	G 3/8	Ottone / Brass	144	5.08	25
24.0309	G 1/2	G 1/2	G 1/2	Ottone / Brass	260	9.17	25

T FEMMINA-FEMMINA-MASCHIO T SHAPED FEMALE-FEMALE-MALE

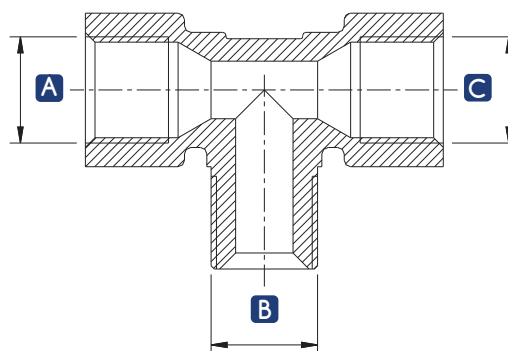


Pressione Ammissibile / Permissible Pressure

30 MPa 4350 psi

Codice Part No.	A	B	C	Materiale Material	Massa Weight		
					gr	oz	
24.0312	G 1/4	G 1/4	G 1/4	Ottone / Brass	118	4.16	25
24.0299	G 3/8	G 1/4	G 3/8	Ottone / Brass	121	4.27	25
24.0313	G 3/8	G 3/8	G 3/8	Ottone / Brass	125	4.41	25
24.0330	G 3/8	G 3/8	G 1/2	Ottone / Brass	138	4.87	25

T FEMMINA-MASCHIO-FEMMINA T SHAPED FEMALE-MALE-FEMALE



Pressione Ammissibile / Permissible Pressure

30 MPa 4350 psi

Codice Part No.	A	B	C	Materiale Material	Massa Weight		
					gr	oz	
24.0296	G 1/4	G 1/4	G 1/8	Ottone / Brass	115	4.06	25
24.0302	G 3/8	G 1/4	G 3/8	Ottone / Brass	130	4.59	25
24.0316	G 3/8	G 3/8	G 3/8	Ottone / Brass	126	4.44	25
24.0317	G 1/2	G 1/2	G 1/2	Ottone / Brass	230	8.11	25

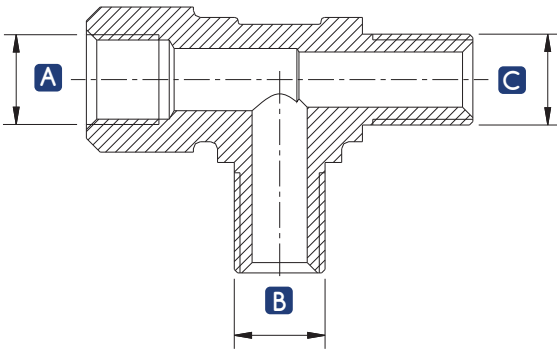


Disponibili T con filettature incrociate tra 1/4, 3/8 e 1/2 per quantità minime.

T with 1/4, 3/8 and 1/2 mixed threads are available for minimum quantities.

T FEMMINA-MASCHIO-MASCHIO

T SHAPED FEMALE-MALE-MALE



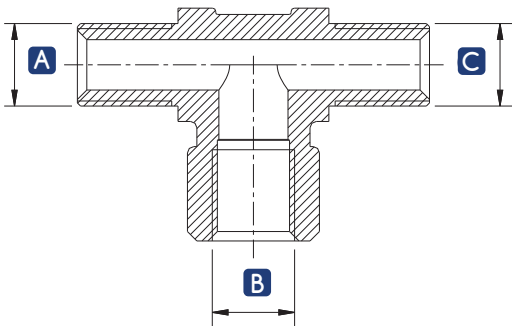
Pressione Ammissibile / Permissible Pressure

30 MPa 4350 psi

Codice Part No.	A	B	C	Materiale Material	Massa Weight		
					gr	oz	
24.0327	G 1/4	G 3/8	G 3/8	Ottone / Brass	104	3.67	25
24.0303	G 3/8	G 1/4	G 3/8	Ottone / Brass	104	3.67	25
24.0321	G 3/8	G 3/8	G 3/8	Ottone / Brass	106	3.74	25
24.0305	G 1/2	G 3/8	G 3/8	Ottone / Brass	112	3.95	25
24.0306	G 1/2	G 1/2	G 3/8	Ottone / Brass	115	4.06	25

T MASCHIO-FEMMINA-MASCHIO

T SHAPED MALE-FEMALE-MALE



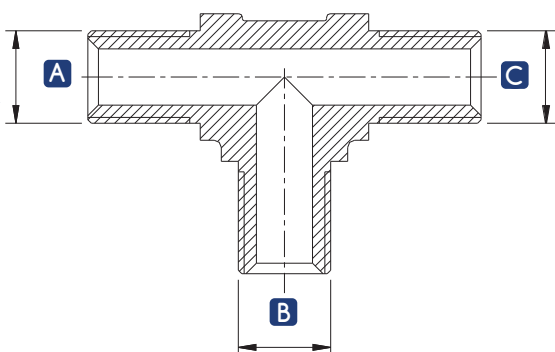
Pressione Ammissibile / Permissible Pressure

30 MPa 4350 psi

Codice Part No.	A	B	C	Materiale Material	Massa Weight		
					gr	oz	
24.0323	G 1/4	G 3/8	G 3/8	Ottone / Brass	102	3.60	25
24.0333	G 3/8	G 3/8	G 3/8	Ottone / Brass	107	3.77	25
24.0329	G 1/2	G 1/4	G 3/8	Ottone / Brass	118	4.16	25

T MASCHIO-MASCHIO-MASCHIO

T SHAPED MALE-MALE-MALE



Pressione Ammissibile / Permissible Pressure

30 MPa 4350 psi

Codice Part No.	A	B	C	Materiale Material	Massa Weight		
					gr	oz	
24.0324	G 1/4	G 3/8	G 3/8	Ottone / Brass	87	3.07	25
24.0326	G 3/8	G 1/4	G 3/8	Ottone / Brass	87	3.07	25
24.0336	G 3/8	G 3/8	G 3/8	Ottone / Brass	91	3.21	25
24.0328	G 3/8	G 3/8	G 1/2	Ottone / Brass	95	3.35	25
24.0331	G 1/2	G 3/8	G 1/2	Ottone / Brass	98	3.46	25

RACCORDO ALTA PRESSIONE HIGH PRESSURE FITTING

Pressione Ammissibile / Permissible Pressure 30 MPa 4350 psi

Codice Part No.	Attacchi Connections	Materiale Material	Massa Weight		
			gr	oz	
35.0070	G 1/4 M - G 1/4 M	Ottone / Brass	30	1.06	25
35.0247	G 3/8 M - G 3/8 M	Ottone / Brass	50	1.76	25
35.0248	G 1/4 M - G 3/8 M	Ottone / Brass	30	1.06	25



RACCORDO BASSA PRESSIONE LOW PRESSURE FITTING

Pressione Ammissibile / Permissible Pressure 1 MPa 145 psi

Codice Part No.	Attacchi Connections	Materiale Material	Massa Weight		
			gr	oz	
35.0126	G 3/8 M - G 1/4 F	Ottone / Brass	38	1.34	25
35.0245	G 1/2 M - G 1/4 F	Ottone / Brass	44	1.55	25
24.0347	G 1/8 F - G 3/8 F	Ottone / Brass	25	0.88	25



PORTAGOMMA in OTTONE BRASS HOSE BARB

Codice Part No.	Diametro Diameter	Attacco Connection	Massa Weight		
			gr	oz	
35.0181	Ø 6 mm-0.24"	G 1/8 M	10	0.35	25
24.0372	Ø 6 mm-0.24"	G 1/4 M	12	0.42	25
24.0375	Ø 8 mm-0.31"	G 1/4 M	13	0.46	25
24.0378	Ø 10 mm-0.39"	G 1/8 M	13	0.46	25
24.0373	Ø 8 mm-0.31"	G 1/4 F	15	0.53	25



TAPPO in OTTONE BRASS PLUG

Codice Part No.	Attacco Connection	Massa Weight		
		gr	oz	
35.0004	1/4 BSPT M	5	0.18	25
35.0003	3/8 BSPT M	8	0.28	25



BICONO per TUBO NYLON e DADI per BICONO BICONE for NYLON PIPE and NUTS for BICONE

Codice Part No.	Descrizione Description	Diametro Diameter	Massa Weight		
			gr	oz	
35.0224	Bicono / Bicone	Ø 8 mm	2	0.07	25
38.0046	Dado / Nut G 1/4 F	Ø 8 mm	15	0.53	25



Note/Notes

A series of 30 horizontal grey bars stacked vertically, serving as a template for writing notes. The bars are uniform in length and height, creating a structured space for text.