

The body of motor and pump is made of rigid cast iron for long-lasting durability.  
Greatly increased maximum submersion depth due to mechanical seal resistant to high pressure.  
Semi-open impeller made of high chrome alloy match with wear plate (ductile iron) achieves superior durability.  
Effective motor cooling due to discharge channel cast as part of the motor housing. Space economy by a top outlet  
Discharge 50mm (2") to 150mm (6"), motor 1.5kW (2HP) to 15kW(20HP).  
Hermetically sealed motor equipped build-in thermal protection for the power below 15kW



### Specification

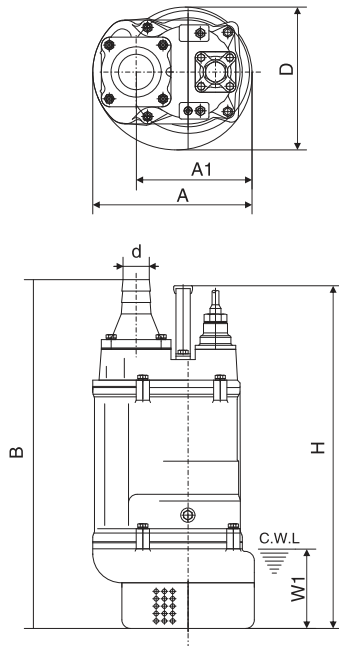
- Capacity: up to 160 m<sup>3</sup>/h
- Head: up to 57 meters
- Power: 1.5kW(2HP) to 15 kW (20HP)
- Power supply: three phase 380 V ± 10%, 50Hz  
380 V ± 10%, 60Hz
- Insulation class: F
- Protection class: IP68
- Cable length: 8m
- Water temperature: up to 40°C
- Max. water depth: 25m

### Application

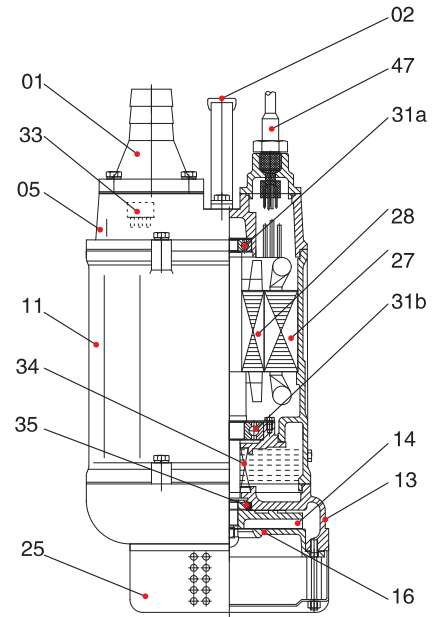
- Civil engineering
- Mines, quarries, coal ore & slurries
- Sewage treatment plants
- General pumping purposes

### Special features on request

- Other voltages
- The length of cable is optional



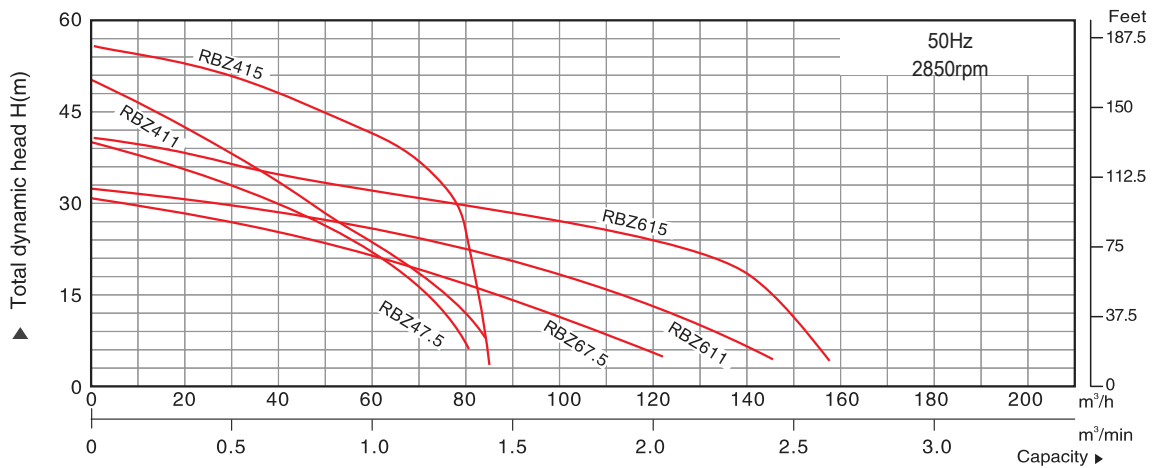
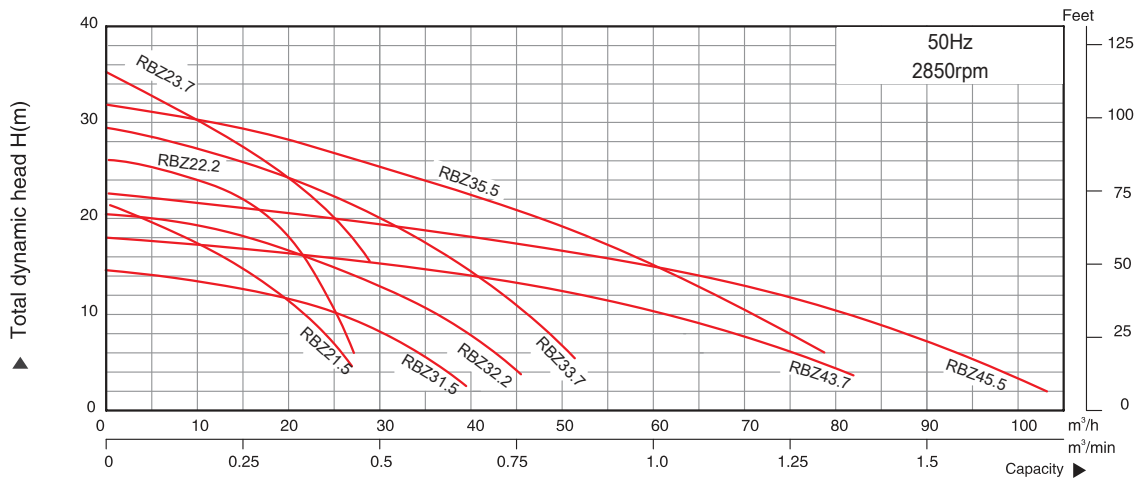
W1:Continuous running water level



Item No.	Part name	Material	Item No.	Part name	Material
01	Hose coupling	Cast iron	28	Rotor	Shaft:AISI420SS
02	Handle	Rubber&steel	31a	bearing	Ball bearing
05	Upper cover	Cast iron	31b	bearing	Ball bearing
11	Motor body	Cast iron	33	Motor protector	
13	Pump body	Cast iron	34	Mechanical seal	Sic-Sic/Carbon-Sic( $\leq 2.2kW$ ) Sic-Sic/Sic-Sic( $\geq 3.7kW$ )
14	Impeller	High chrome alloy	35	Oil seal	
16	Inlet plate	Ductile iron	47	Cable	
25	Strainer	Steel			
27	Stator				

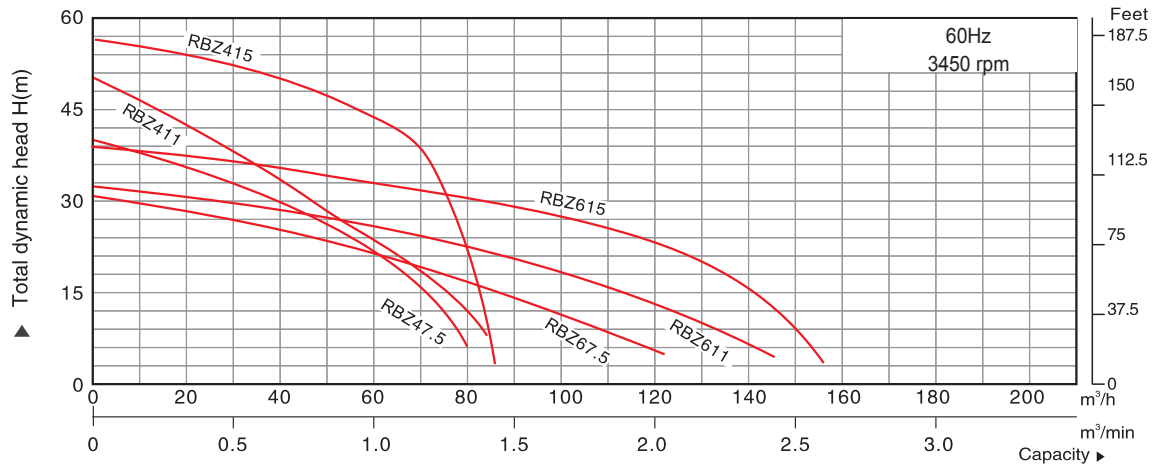
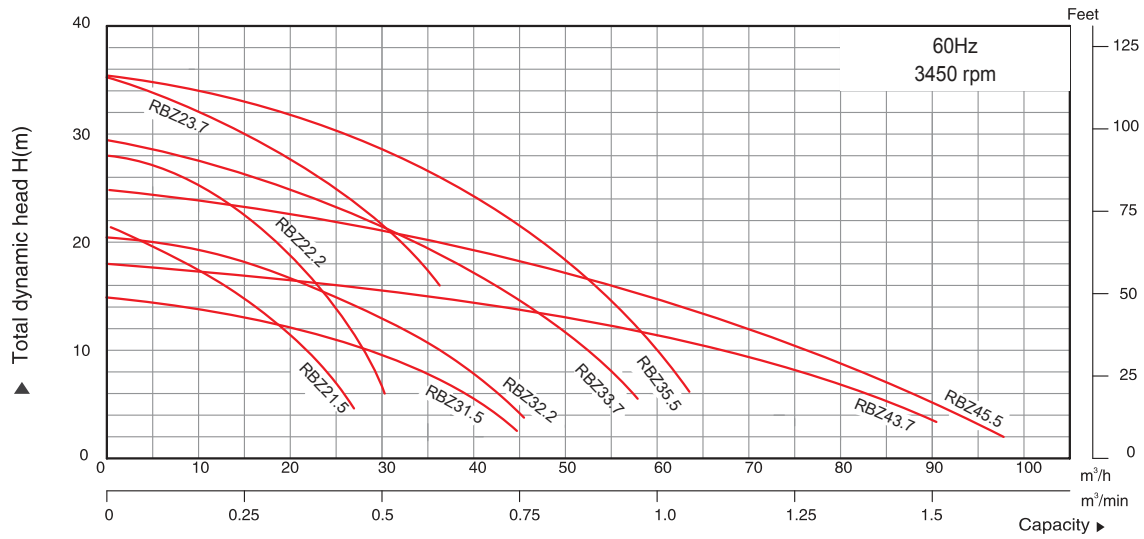
Model	d	A	A1	B	D	H	W1
RBZ21.5	50	235	173	517	216	486	120
RBZ31.5	80	235	173	517	216	486	120
RBZ22.2	50	235	173	517	216	486	120
RBZ32.2	80	235	173	517	216	486	120
RBZ23.7	50	283	208	628	252	638	150
RBZ33.7	80	283	208	628	252	638	150
RBZ43.7	100	283	208	642	252	638	150
RBZ35.5	80	306	218	671	259	598	150
RBZ45.5	100	306	218	686	259	598	150
RBZ47.5	100	330	240	764	314	676	190
RBZ411	100	373	255	807	350	695	190
RBZ67.5	150	330	240	790	314	676	190
RBZ611	150	373	255	807	350	695	190
RBZ415	100	373	255	842	350	755	190
RBZ615	150	373	255	842	350	755	190

### Performance curves



Model(50Hz)	Outlet	Motor power		Max head	Max capacity		Impeller passage	N.W	G.W	Packing dimension
	mm	kW	HP	m	m³/h	m³/min	mm	Kg	Kg	mm
RBZ21.5	50	1.5	2	22	27.0	0.45	8.5	34.5	37.5	585X270X270
RBZ22.2	50	2.2	3	26.0	27.0	0.45	8.5	36	39	585X270X270
RBZ23.7	50	3.7	5	34.0	29.0	0.48	8.5	60	65	685X325X300
RBZ31.5	80	1.5	2	14.5	40.0	0.67	8.5	34.5	37	585X270X270
RBZ32.2	80	2.2	3	21.0	50.0	0.83	8.5	36	39	585X270X270
RBZ33.7	80	3.7	5	29.0	55.0	0.92	8.5	60	65	685X325X300
RBZ35.5	80	5.5	7.5	32.0	70.0	1.17	8.5	77	84	725X355X370
RBZ43.7	100	3.7	5	18.0	90.0	1.50	8.5	61	66	685X325X300
RBZ45.5	100	5.5	7.5	23.0	105.0	1.75	8.5	78	85	725X355X370
RBZ47.5	100	7.5	10	40.0	84.0	1.40	11.5	105	114	805X365X390
RBZ411	100	11	15	48.5	86.4	1.44	11.5	130	140	855X415X440
RBZ415	100	15	20	56.0	86.4	1.44	11.5	142	153	895X415X440
RBZ67.5	150	7.5	10	31.0	124.8	2.08	19.5	106	114	835X365X390
RBZ611	150	11	15	32.0	147.0	2.45	19.5	133	143	855X415X440
RBZ615	150	15	20	40.0	156.0	2.60	19.5	145	156	895X415X440

### Performance curves



Model(60Hz)	Outlet	Motor power		Max head	Max capacity		Impeller passage	N.W	G.W	Packing dimension
	mm	kW	HP	m	m <sup>3</sup> /h	m <sup>3</sup> /min	mm	Kg	Kg	mm
RBZ21.5	50	1.5	2	21.0	25.0	0.42	8.5	34.5	37.5	585X270X270
RBZ22.2	50	2.2	3	28.0	31.0	0.52	8.5	36	39	585X270X270
RBZ23.7	50	3.7	5	34.5	35.0	0.58	8.5	60	65	685X325X300
RBZ31.5	80	1.5	2	15.0	45.0	0.75	8.5	34.5	37	585X270X270
RBZ32.2	80	2.2	3	20.5	47.0	0.78	8.5	36	39	585X270X270
RBZ33.7	80	3.7	5	29.0	55.0	0.92	8.5	60	65	685X325X300
RBZ35.5	80	5.5	7.5	35.0	62.0	1.03	8.5	77	84	725X355X370
RBZ43.7	100	3.7	5	18.0	90.0	1.50	8.5	61	66	685X325X300
RBZ45.5	100	5.5	7.5	24.4	97.0	1.62	8.5	78	85	725X355X370
RBZ47.5	100	7.5	10	40.0	80.0	1.33	11.5	105	114	805X365X390
RBZ411	100	11	15	48.5	84.0	1.40	11.5	130	140	855X415X440
RBZ415	100	15	20	57.0	84.0	1.40	11.5	142	153	895X415X440
RBZ67.5	150	7.5	10	31.0	122.0	2.03	19.5	106	114	835X365X390
RBZ611	150	11	15	32.0	147.0	2.45	19.5	133	143	855X415X440
RBZ615	150	15	20	39.0	160.0	2.67	19.5	145	156	895X415X440