



### PERFORMANCE RANGE

- Flow rate up to **900 l/min** (54 m<sup>3</sup>/h)
- Head up to **74 m**

### APPLICATION LIMITS

- Manometric suction lift up to **7 m**
- Liquid temperature between **-10 °C** and **+90 °C**
- Ambient temperature between **-10 °C** and **+40 °C**
- Max. working pressure **10 bar**
- Continuous service **S1**

### CONSTRUCTION AND SAFETY STANDARDS

EN 60034-1  
IEC 60034-1  
CEI 2-3



### CERTIFICATIONS



### INSTALLATION AND USE

Suitable for use with clean water and liquids that are not chemically aggressive towards the materials from which the pump is made. As a result of their reliability and the fact that they are easy to use, these pumps are widely used in civil, agricultural and industrial applications such as for supplying water, in conditioning and cooling systems, for irrigation, etc.

The pump should be installed in an enclosed environment, or at least sheltered from inclement weather.

### PATENTS - TRADE MARKS - MODELS

- Registered Italian model n° 72753

### OPTIONALS AVAILABLE ON REQUEST

- Special mechanical seal
- EN 10088-3 - 1.4401 (AISI 316) stainless steel motor shaft
- Other voltages or 60 Hz frequency
- IP55 class protection

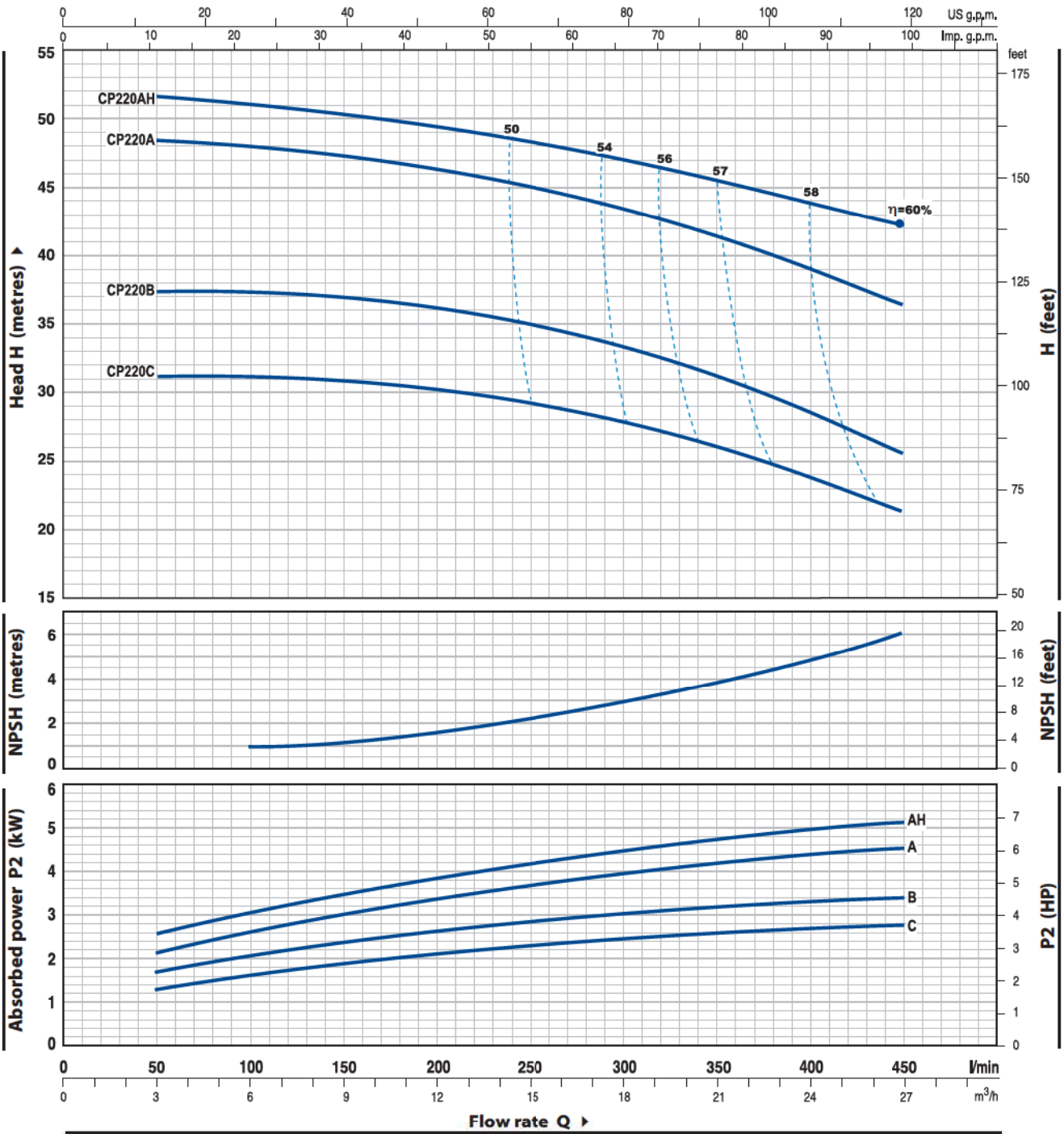
### GUARANTEE

2 years subject to terms and conditions

# CP 220

## CHARACTERISTIC CURVES AND PERFORMANCE DATA

50 Hz n= 2900 1/min HS= 0 m

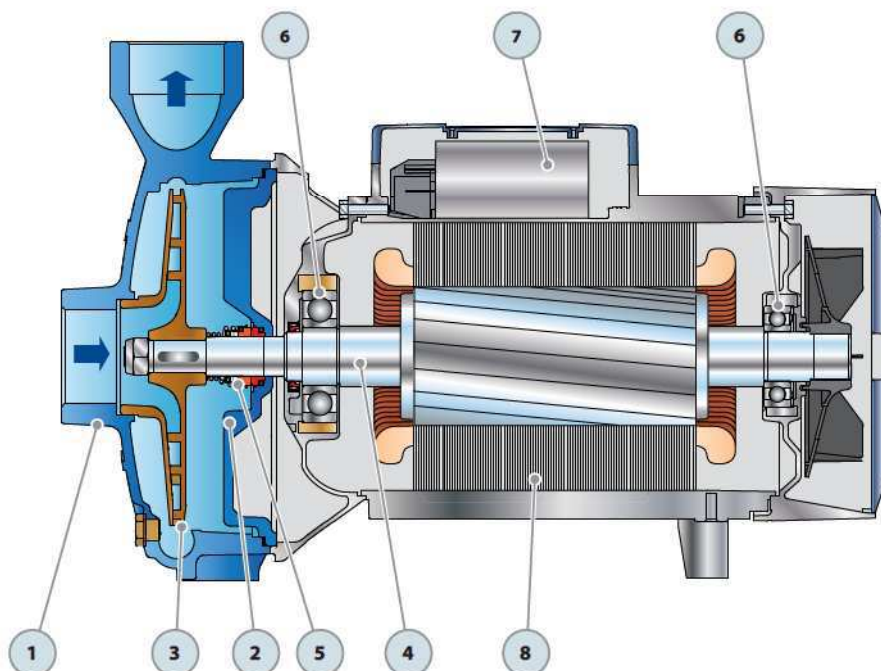


MODEL		POWER		Q	Flow rate						
Single-phase	Three-phase	kW	HP		m³/h	0	3	6	12	18	24
	CP 220C	2.2	3	H metres	0	50	100	200	300	400	450
-	CP 220B	3	4		32	31.5	31	30	28	24	21
-	CP 220A	4	5.5		38	37.5	37	36	33.5	29	25
-	CP 220AH	5.5	7.5		49	48.5	48	46	43.5	39.5	36
					52	51.5	51	49	47	44	42

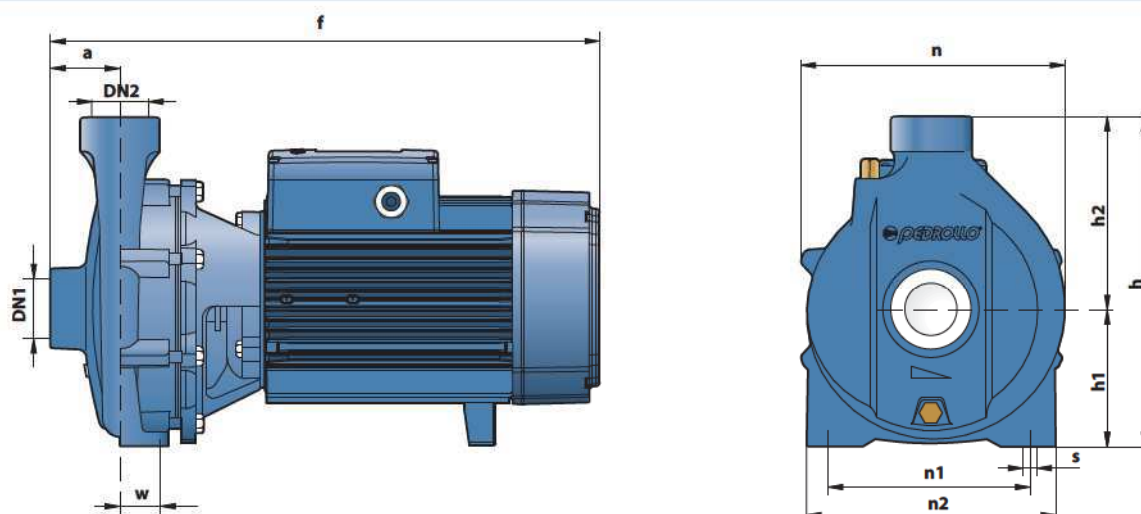
Q = Flow rate H = Total manometric head HS = Suction height

Tolerance of characteristic curves in compliance with EN ISO 9906 App. A.

POS.	COMPONENT	CONSTRUCTION CHARACTERISTICS						
1	<b>PUMP BODY</b>	Cast iron, complete with threaded ports in compliance with ISO 228/1						
2	<b>BODY BACKPLATE</b>	Cast iron						
3	<b>IMPELLER</b>	Brass for CP 220, CP 230 Cast iron for CP 250						
4	<b>MOTOR SHAFT</b>	Stainless steel EN 10088-3 - 1.4104						
5	<b>MECHANICAL SEAL</b>	<i>Pump</i>	<i>Seal</i>	<i>Shaft</i>	<i>Materials</i>			
		<i>Model</i>	<i>Model</i>	<i>Diameter</i>	<i>Stationary ring</i>	<i>Rotational ring</i>	<i>Elastomer</i>	
		CP 220C-B CP 230C	FN-20	Ø 20 mm	Graphite	Ceramic	NBR	
		CP 220A-AH CP 230B-A CP 250C-CR	FN-24	Ø 24 mm	Graphite	Ceramic	NBR	
		CP 250A-AR	FN-32 NU	Ø 32 mm	Graphite	Ceramic	NBR	
6	<b>BEARINGS</b>	<i>Pump</i>	<i>Model</i>					
		CP 220C	6206 ZZ - C3 / 6204 ZZ					
		CPm 220C						
		CP 220B CP 230C	6206 ZZ - C3 / 6205 ZZ					
		CP 220A-AH CP 230B-A CP 250C-CR	6307 ZZ - C3 / 6206 ZZ - C3					
		CP 250A-AR	6310 ZZ - C3 / 6308 ZZ - C3					
		7	<b>CAPACITOR</b>	<i>Pump</i>	<i>Capacitance</i>			
				<i>Single-phase</i>	<i>(230 V or 240 V)</i>			
CPm 220C	70 µF 450 VL							
8	<b>ELECTRIC MOTOR</b>	CPm: single-phase 230 V - 50 Hz. CP: three-phase 230/400 V - 50 Hz up to 4 kW. 400/690 V - 50 Hz from 5.5 to 11 kW. ⇒ Pumps fitted with the three-phase motor option offer IE2 (IEC 60034-30) class high performance – Insulation: F class. – Protection: IP 44.						



## DIMENSIONS AND WEIGHT



MODEL		PORTS		DIMENSIONS mm										kg										
Single-phase	Three-phase	DN1	DN2	a	f	h	h1	h2	n	n1	n2	w	s	1~	3~									
CPm 220C	CP 220C	2"	2"	70	426/409	315	132	183	255	170	230	40	14	-	-									
-	CP 220B				426											-	-							
-	CP 220A				460											-	-							
-	CP 220AH				505											328	136	192	273	190	250	-	-	
-	CP 230C				426											315	132	183	255	170	230	-	-	
-	CP 230B				460											328	136	192	273	190	250	-	-	
-	CP 230A				505											-	-	-	-	-	-	-	-	
-	CP 250C				507											-	-	-	-	-	-	-	-	
-	CP 250A				571											392	160	232	322	230	294	45	-	-
-	CP 250CR				534											-	-	-	-	-	-	-	-	
-	CP 250AR	598	92	-	-	-	-	-	-	-														

## ABSORPTION

MODEL	VOLTAGE (single-phase)	
Single-phase	230 V	240 V
CPm 220C	15.8 A	15.0 A

MODEL	VOLTAGE (three-phase)					
Three-phase	230 V	400 V	690 V	240 V	415 V	720 V
CP 220C	11.4 A	6.6 A	3.8 A	10.7 A	6.2 A	3.6 A
CP 220B	12.6 A	7.3 A	4.2 A	12.0 A	7.0 A	4.0 A
CP 220A	17.0 A	9.8 A	5.7 A	16.5 A	9.5 A	5.5 A
CP 220AH	20.0 A	11.5 A	6.7 A	21.0 A	12.0 A	6.9 A
CP 230C	13.2 A	7.6 A	4.4 A	11.1 A	6.4 A	3.7 A
CP 230B	16.8 A	9.7 A	5.6 A	16.2 A	9.4 A	5.4 A
CP 230A	20.0 A	11.5 A	6.7 A	19.2 A	11.0 A	6.4 A
CP 250C-CR	28.6 A	16.5 A	9.5 A	27.5 A	16.0 A	9.3 A
CP 250A-AR	40.8 A	23.6 A	13.7 A	40.8 A	23.6 A	13.7 A

## PALLETIZATION

MODEL		GROUPAGE				CONTAINER			
Single-phase	Three-phase	n° pumps	H (mm)	kg		n° pumps	H (mm)	kg	
				1~	3~			1~	3~
CPm 220C	CP 220C	18	1220	590	530	24	1580	780	700
-	CP 220B	18	1180	-	600	24	1520	-	790
-	CP 220A	18	1430	-	760	24	1860	-	1000
-	CP 220AH	12	1430	-	570	16	1860	-	760
-	CP 230C	18	1200	-	590	24	1550	-	780
-	CP 230B	18	1430	-	760	24	1860	-	1000
-	CP 230A	12	1430	-	570	16	1860	-	760
-	CP 250C	6	1180	-	460	-	-	-	-
-	CP 250A	6	1180	-	640	-	-	-	-
-	CP 250CR	6	1180	-	490	-	-	-	-
-	CP 250AR	6	1180	-	660	-	-	-	-

