



PERFORMANCE RANGE

- Flow rate up to **900 l/min** (54 m³/h)
- Head up to **74 m**

APPLICATION LIMITS

- Manometric suction lift up to **7 m**
- Liquid temperature between **-10 °C** and **+90 °C**
- Ambient temperature between **-10 °C** and **+40 °C**
- Max. working pressure **10 bar**
- Continuous service **S1**

CONSTRUCTION AND SAFETY STANDARDS

EN 60034-1
IEC 60034-1
CEI 2-3



CERTIFICATIONS



INSTALLATION AND USE

Suitable for use with clean water and liquids that are not chemically aggressive towards the materials from which the pump is made. As a result of their reliability and the fact that they are easy to use, these pumps are widely used in civil, agricultural and industrial applications such as for supplying water, in conditioning and cooling systems, for irrigation, etc.

The pump should be installed in an enclosed environment, or at least sheltered from inclement weather.

PATENTS - TRADE MARKS - MODELS

- Registered Italian model n° 72753

OPTIONALS AVAILABLE ON REQUEST

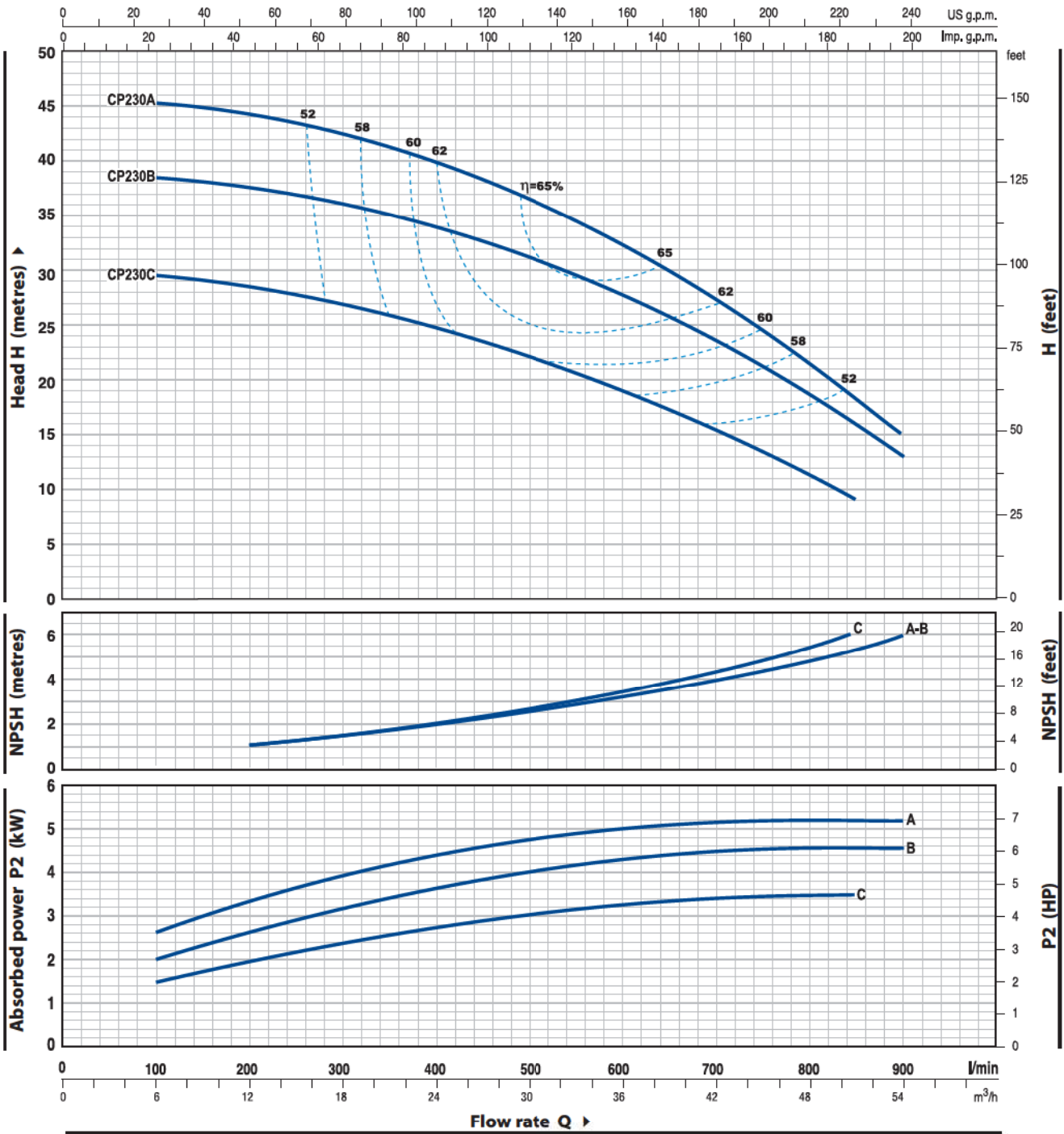
- Special mechanical seal
- EN 10088-3 - 1.4401 (AISI 316) stainless steel motor shaft
- Other voltages or 60 Hz frequency
- IP55 class protection

GUARANTEE

2 years subject to terms and conditions

CHARACTERISTIC CURVES AND PERFORMANCE DATA

50 Hz n= 2900 1/min HS= 0 m

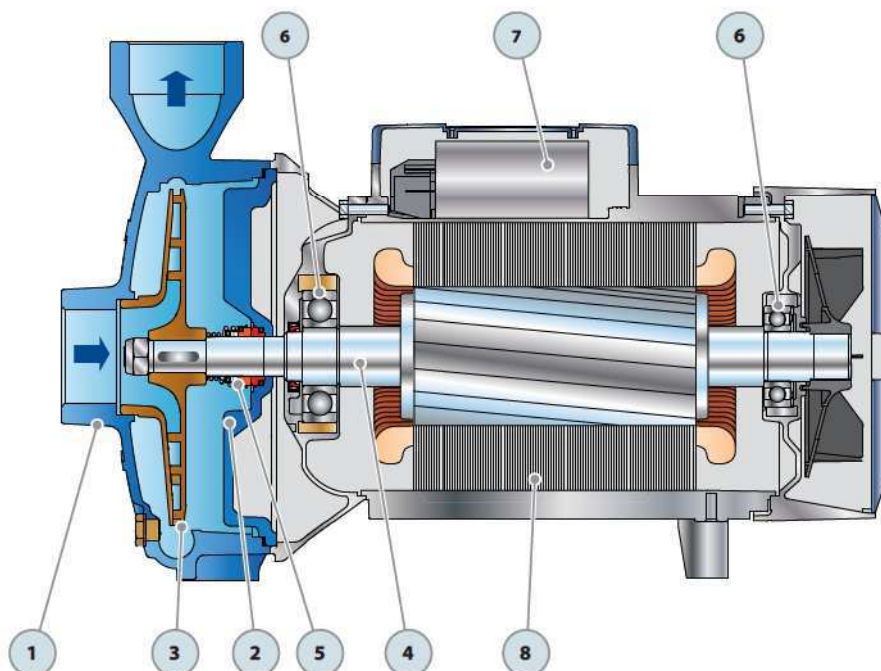


| MODEL | POWER | | Q | Flow rate | | | | | | | | | | | | |
|-------------|-------|-----|----------|-----------|------|------|-----|-----|-----|------|------|------|-----|-----|----|--|
| | kW | HP | | m³/h | 0 | 6 | 12 | 18 | 24 | 30 | 36 | 42 | 48 | 51 | 54 | |
| Three-phase | | | l/min | 0 | 100 | 200 | 300 | 400 | 500 | 600 | 700 | 800 | 850 | 900 | | |
| CP 230C | 3 | 4 | H metres | 30 | 29.5 | 28.5 | 27 | 25 | 22 | 19.5 | 15.5 | 11.5 | 9 | | | |
| CP 230B | 4 | 5.5 | | 39 | 38.5 | 38 | 36 | 34 | 31 | 28 | 24 | 18.5 | 15 | 13 | | |
| CP 230A | 5.5 | 7.5 | | 46 | 45.5 | 44.5 | 42 | 40 | 37 | 32.5 | 27.5 | 21.5 | 18 | 15 | | |

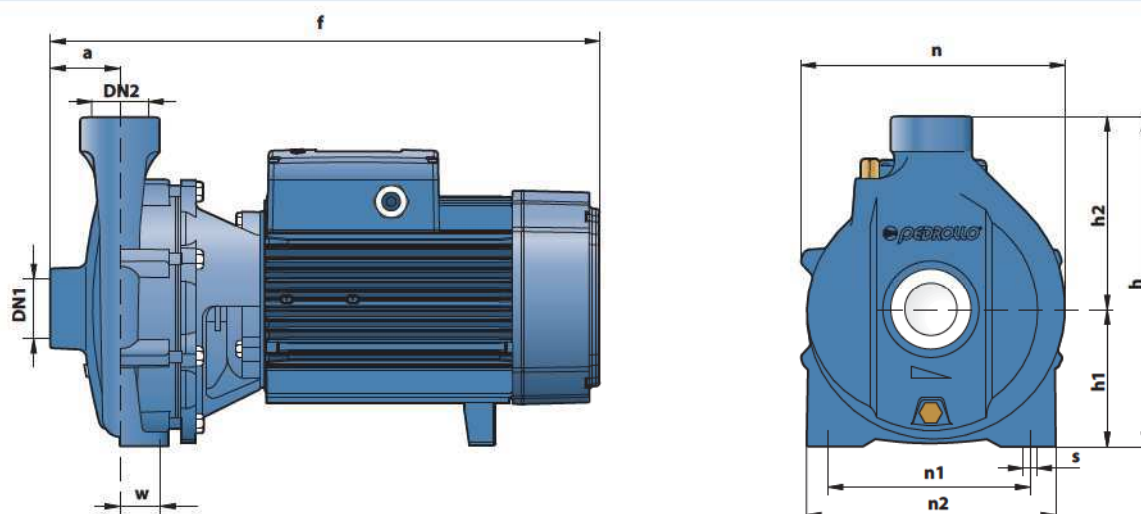
Q = Flow rate H = Total manometric head HS = Suction height

Tolerance of characteristic curves in compliance with EN ISO 9906 App. A.

| POS. | COMPONENT | CONSTRUCTION CHARACTERISTICS | | | | | | | |
|----------|------------------------|---|-----------------------------|---------------------|-------------------------|------------------------|------------------|--|--|
| 1 | PUMP BODY | Cast iron, complete with threaded ports in compliance with ISO 228/1 | | | | | | | |
| 2 | BODY BACKPLATE | Cast iron | | | | | | | |
| 3 | IMPELLER | Brass for CP 220, CP 230 Cast iron for CP 250 | | | | | | | |
| 4 | MOTOR SHAFT | Stainless steel EN 10088-3 - 1.4104 | | | | | | | |
| 5 | MECHANICAL SEAL | <i>Pump</i> | <i>Seal</i> | <i>Shaft</i> | <i>Materials</i> | | | | |
| | | <i>Model</i> | <i>Model</i> | <i>Diameter</i> | <i>Stationary ring</i> | <i>Rotational ring</i> | <i>Elastomer</i> | | |
| | | CP 220C-B CP 230C | FN-20 | Ø 20 mm | Graphite | Ceramic | NBR | | |
| | | CP 220A-AH CP 230B-A CP 250C-CR | FN-24 | Ø 24 mm | Graphite | Ceramic | NBR | | |
| | | CP 250A-AR | FN-32 NU | Ø 32 mm | Graphite | Ceramic | NBR | | |
| | | | | | | | | | |
| 6 | BEARINGS | <i>Pump</i> | <i>Model</i> | | | | | | |
| | | CP 220C | 6206 ZZ - C3 / 6204 ZZ | | | | | | |
| | | CPm 220C | | | | | | | |
| | | CP 220B CP 230C | 6206 ZZ - C3 / 6205 ZZ | | | | | | |
| | | CP 220A-AH CP 230B-A CP 250C-CR | 6307 ZZ - C3 / 6206 ZZ - C3 | | | | | | |
| | | CP 250A-AR | 6310 ZZ - C3 / 6308 ZZ - C3 | | | | | | |
| | | 7 | CAPACITOR | <i>Pump</i> | <i>Capacitance</i> | | | | |
| | | | | <i>Single-phase</i> | <i>(230 V or 240 V)</i> | | | | |
| CPm 220C | 70 µF 450 VL | | | | | | | | |
| 8 | ELECTRIC MOTOR | CPm: single-phase 230 V - 50 Hz. CP: three-phase 230/400 V - 50 Hz up to 4 kW. 400/690 V - 50 Hz from 5.5 to 11 kW. ⇒ Pumps fitted with the three-phase motor option offer IE2 (IEC 60034-30) class high performance – Insulation: F class. – Protection: IP 44. | | | | | | | |



DIMENSIONS AND WEIGHT



| MODEL | | PORTS | | DIMENSIONS mm | | | | | | | | | | kg | | | | | | | | | | |
|--------------|-------------|-------|-----|---------------|---------|-----|-----|-----|-----|-----|-----|----|----|----|----|-----|-----|-----|-----|-----|-----|----|---|---|
| Single-phase | Three-phase | DN1 | DN2 | a | f | h | h1 | h2 | n | n1 | n2 | w | s | 1~ | 3~ | | | | | | | | | |
| CPm 220C | CP 220C | 2" | 2" | 70 | 426/409 | 315 | 132 | 183 | 255 | 170 | 230 | 40 | 14 | - | - | | | | | | | | | |
| - | CP 220B | | | | 426 | | | | | | | | | | | - | - | | | | | | | |
| - | CP 220A | | | | 460 | | | | | | | | | | | - | - | | | | | | | |
| - | CP 220AH | | | | 505 | | | | | | | | | | | 328 | 136 | 192 | 273 | 190 | 250 | - | - | |
| - | CP 230C | | | | 426 | | | | | | | | | | | 315 | 132 | 183 | 255 | 170 | 230 | - | - | |
| - | CP 230B | | | | 460 | | | | | | | | | | | 328 | 136 | 192 | 273 | 190 | 250 | - | - | |
| - | CP 230A | | | | 505 | | | | | | | | | | | - | - | - | - | - | - | - | - | |
| - | CP 250C | | | | 507 | | | | | | | | | | | - | - | - | - | - | - | - | - | |
| - | CP 250A | | | | 571 | | | | | | | | | | | 392 | 160 | 232 | 322 | 230 | 294 | 45 | - | - |
| - | CP 250CR | | | | 534 | | | | | | | | | | | - | - | - | - | - | - | - | - | |
| - | CP 250AR | 598 | 92 | - | - | - | - | - | - | - | | | | | | | | | | | | | | |

ABSORPTION

| MODEL | VOLTAGE (single-phase) | |
|--------------|------------------------|--------|
| Single-phase | 230 V | 240 V |
| CPm 220C | 15.8 A | 15.0 A |

| MODEL | VOLTAGE (three-phase) | | | | | |
|-------------|-----------------------|--------|--------|--------|--------|--------|
| Three-phase | 230 V | 400 V | 690 V | 240 V | 415 V | 720 V |
| CP 220C | 11.4 A | 6.6 A | 3.8 A | 10.7 A | 6.2 A | 3.6 A |
| CP 220B | 12.6 A | 7.3 A | 4.2 A | 12.0 A | 7.0 A | 4.0 A |
| CP 220A | 17.0 A | 9.8 A | 5.7 A | 16.5 A | 9.5 A | 5.5 A |
| CP 220AH | 20.0 A | 11.5 A | 6.7 A | 21.0 A | 12.0 A | 6.9 A |
| CP 230C | 13.2 A | 7.6 A | 4.4 A | 11.1 A | 6.4 A | 3.7 A |
| CP 230B | 16.8 A | 9.7 A | 5.6 A | 16.2 A | 9.4 A | 5.4 A |
| CP 230A | 20.0 A | 11.5 A | 6.7 A | 19.2 A | 11.0 A | 6.4 A |
| CP 250C-CR | 28.6 A | 16.5 A | 9.5 A | 27.5 A | 16.0 A | 9.3 A |
| CP 250A-AR | 40.8 A | 23.6 A | 13.7 A | 40.8 A | 23.6 A | 13.7 A |

PALLETIZATION

| MODEL | | GROUPAGE | | | | CONTAINER | | | |
|--------------|-------------|----------|--------|-----|-----|-----------|--------|-----|------|
| Single-phase | Three-phase | n° pumps | H (mm) | kg | | n° pumps | H (mm) | kg | |
| | | | | 1~ | 3~ | | | 1~ | 3~ |
| CPm 220C | CP 220C | 18 | 1220 | 590 | 530 | 24 | 1580 | 780 | 700 |
| - | CP 220B | 18 | 1180 | - | 600 | 24 | 1520 | - | 790 |
| - | CP 220A | 18 | 1430 | - | 760 | 24 | 1860 | - | 1000 |
| - | CP 220AH | 12 | 1430 | - | 570 | 16 | 1860 | - | 760 |
| - | CP 230C | 18 | 1200 | - | 590 | 24 | 1550 | - | 780 |
| - | CP 230B | 18 | 1430 | - | 760 | 24 | 1860 | - | 1000 |
| - | CP 230A | 12 | 1430 | - | 570 | 16 | 1860 | - | 760 |
| - | CP 250C | 6 | 1180 | - | 460 | - | - | - | - |
| - | CP 250A | 6 | 1180 | - | 640 | - | - | - | - |
| - | CP 250CR | 6 | 1180 | - | 490 | - | - | - | - |
| - | CP 250AR | 6 | 1180 | - | 660 | - | - | - | - |

