

DRE

Multi-channel open impeller

All product images are indicative only



General characteristics

Multi-channel open impeller	
motor power	0,37 ÷ 1,5 kW
poles	2
delivery port	GAS 1 1/4" - 2" vertical GAS 2" - DN50 horizontal
free passage	max 15 mm
max flow rate	12.6 l/s
max head	18.0 m

Electromechanical assembly

Electromechanical assembly in GJL-250 cast iron, for submerged operation. Seal set comprising 1 (one) silicon carbide mechanical seal and 1 (one) lip seal. Ecological dry motor.

Applications

Can be used with clear or slightly soiled wastewaters containing small solids, strained water, rainwater, seepage and water pumped from underground. Suitable for specifically domestic use.

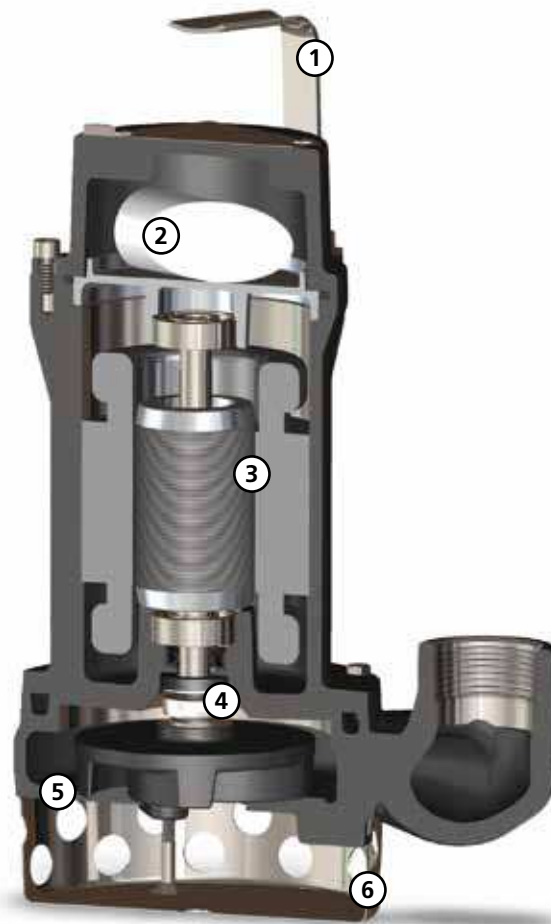
Construction materials

Case	Cast iron EN-GJL 250
Impeller	Cast iron EN-GJL-250
Nuts and bolts	Stainless steel - Class A2-70
Standard gasket	Rubber - NBR
Shaft	Stainless steel - AISI 420
Paint type	Ecological bicomponent epoxy (medium thickness 80 µm)
Set of standard mechanical seals	One silicon carbide mechanical seal (SiC) and one lip seal

Operating limits

Maximum operating temperature	40 °C
PH of treated fluid	6 ÷ 14
Viscosity of treated fluid	1 mm ² /s
Maximum immersion depth	20 m
Density of treated fluid	1 Kg/dm ³
Maximum acoustic pressure	70 dB
max starts per hour	30

DRE



Handle
AISI 304 stainless steel lifting and carrying handle



Capacitor/relay
Single-phase models with internal capacitor. Three-phase models with motor protection relay (option)



Motor
Ecological dry motor with thermal overloads



Mechanical seals
One mechanical seal in silicon carbide (SiC) and one lip seal



Anti-clogging system
The special design of the hydraulic part ensures the expulsion of suspended solids and prevents fouling of the impeller



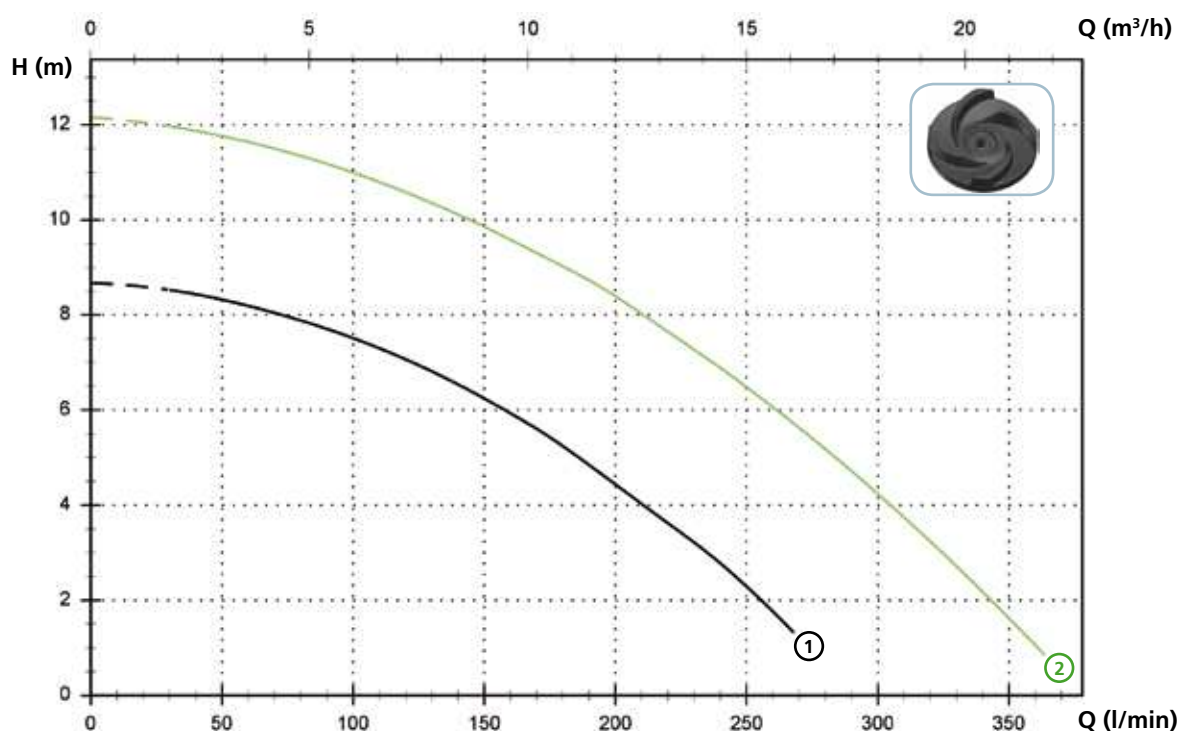
Intake strainer
Intake strainer in stainless steel

DRE

Models with vertical GAS 1 1/4" threaded delivery port - 2 poles

Performances

	l/s	0	1	2	3	4	5	6
	l/min	0	60	120	180	240	300	360
	m ³ /h	0	3.6	7.2	10.8	14.4	18.0	21.6
①	DRE 50/2/G32V A0BM(T)/50	8.7	8.2	7.1	5.2	2.8		
②	DRE 75/2/G32V A0BM(T)/50	12.2	11.6	10.6	9.0	6.9	4.2	1.1



Technical data

	V	Phases	P1 (kW)	P2 (kW)	A	Rpm	Start	Ø	Cable (*)	Free passage	
①	DRE 50/2/G32V A0BM/50	230	1	-	0.37	2.8	2900	Dir	G 1 1/4"	A	15 mm
②	DRE 75/2/G32V A0BM/50	230	1	-	0.55	3.8	2900	Dir	G 1 1/4"	A	15 mm
	V	Phases	P1 (kW)	P2 (kW)	A	Rpm	Start	Ø	Cable (*)	Free passage	
①	DRE 50/2/G32V A0BT/50	400	3	-	0.37	1.1	2900	Dir	G 1 1/4"	B	15 mm
②	DRE 75/2/G32V A0BT/50	400	3	-	0.55	1.3	2900	Dir	G 1 1/4"	B	15 mm

(*) A = H07RN-F 3G1 - 5 m cable length. Optional 10 m cable length with schuko plug.

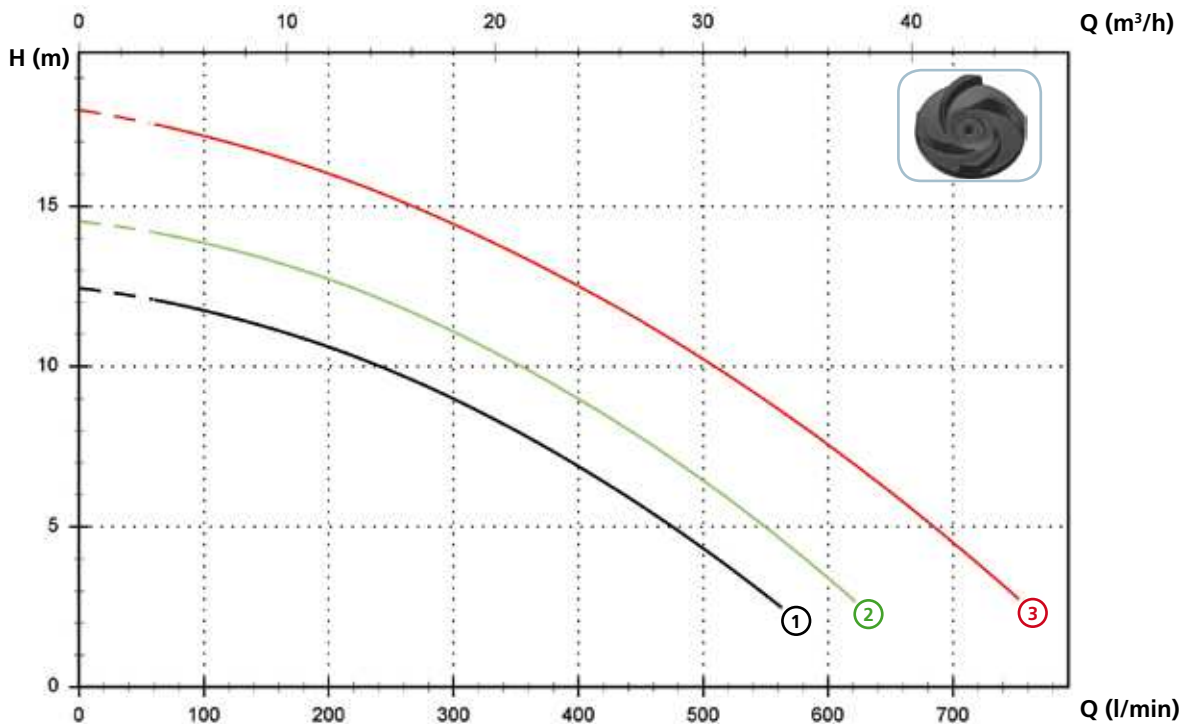
B = H07RN-F 4G1 - 10 m cable length

Attention: Standard EN 60335-2-41 requires the use of a 10 m cable length in outdoor applications

Models with vertical GAS 2" threaded delivery port - 2 poles

Performances

	l/s	0	2	4	6	8	10	12
	l/min	0	120	240	360	480	600	720
	m ³ /h	0	7.2	14.4	21.6	28.8	36.0	43.2
①	DRE 100/2/G50V A0CM(T)/50	12.4	11.6	10.0	7.8	4.9		
②	DRE 150/2/G50V A0CM(T)/50	14.5	13.7	12.1	9.9	7.0	3.4	
③	DRE 200/2/G50V A0CM(T)/50	18.0	17.0	15.4	13.3	10.7	7.6	3.9



Technical data

	V	Phases	P1 (kW)	P2 (kW)	A	Rpm	Start	Ø	Cable (*)	Free passage	
①	DRE 100/2/G50V A0CM/50	230	1	-	0.88	6.5	2900	Dir	G 2"	A	15 mm
②	DRE 150/2/G50V A0CM/50	230	1	-	1.1	8.2	2900	Dir	G 2"	A	15 mm
③	DRE 200/2/G50V A0CM/50	230	1	-	1.5	9.3	2900	Dir	G 2"	A	15 mm

	V	Phases	P1 (kW)	P2 (kW)	A	Rpm	Start	Ø	Cable (*)	Free passage	
①	DRE 100/2/G50V A0CT/50	400	3	-	0.88	2.3	2900	Dir	G 2"	B	15 mm
②	DRE 150/2/G50V A0CT/50	400	3	-	1.1	2.7	2900	Dir	G 2"	B	15 mm
③	DRE 200/2/G50V A0CT/50	400	3	-	1.5	3.5	2900	Dir	G 2"	B	15 mm

(*) A = H07RN-F 3G1 - 5 m cable length. Optional 10 m cable length with schuko plug.
 B = H07RN-F 4G1 - 10 m cable length

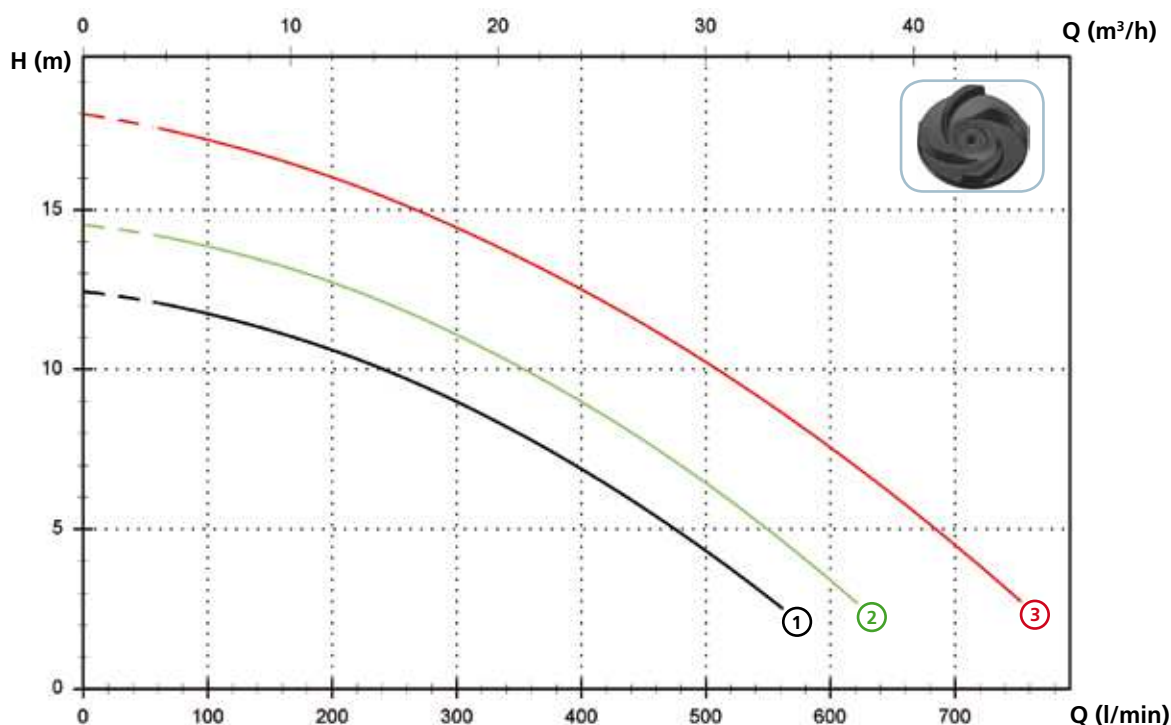
Attention: Standard EN 60335-2-41 requires the use of a 10 m cable length in outdoor applications

DRE

Models with horizontal GAS 2" threaded - DN50 PN10-16 flanged delivery port - 2 poles

Performances

	l/s	0	2	4	6	8	10	12
	l/min	0	120	240	360	480	600	720
	m ³ /h	0	7.2	14.4	21.6	28.8	36.0	43.2
①	DRE 100/2/G50H A0CM(T)/50	12.4	11.6	10.0	7.8	4.9		
②	DRE 150/2/G50H A0CM(T)/50	14.5	13.7	12.1	9.9	7.0	3.4	
③	DRE 200/2/G50H A0CM(T)/50	18.0	17.0	15.4	13.3	10.7	7.6	3.9



Technical data

	V	Phases	P1 (kW)	P2 (kW)	A	Rpm	Start	Ø	Cable (*)	Free passage	
①	DRE 100/2/G50H A0CM/50	230	1	-	0.88	6.5	2900	Dir	G 2"- DN50 PN10-16	A	15 mm
②	DRE 150/2/G50H A0CM/50	230	1	-	1.1	8.2	2900	Dir	G 2"- DN50 PN10-16	A	15 mm
③	DRE 200/2/G50H A0CM/50	230	1	-	1.5	9.3	2900	Dir	G 2"- DN50 PN10-16	A	15 mm

	V	Phases	P1 (kW)	P2 (kW)	A	Rpm	Start	Ø	Cable (*)	Free passage	
①	DRE 100/2/G50H A0CT/50	400	3	-	0.88	2.3	2900	Dir	G 2"- DN50 PN10-16	B	15 mm
②	DRE 150/2/G50H A0CT/50	400	3	-	1.1	2.7	2900	Dir	G 2"- DN50 PN10-16	B	15 mm
③	DRE 200/2/G50H A0CT/50	400	3	-	1.5	3.5	2900	Dir	G 2"- DN50 PN10-16	B	15 mm

(*) A = H07RN-F 3G1 - 5 m cable length. Optional 10 m cable length with schuko plug.
 B = H07RN-F 4G1 - 10 m cable length

Attention: Standard EN 60335-2-41 requires the use of a 10 m cable length in outdoor applications

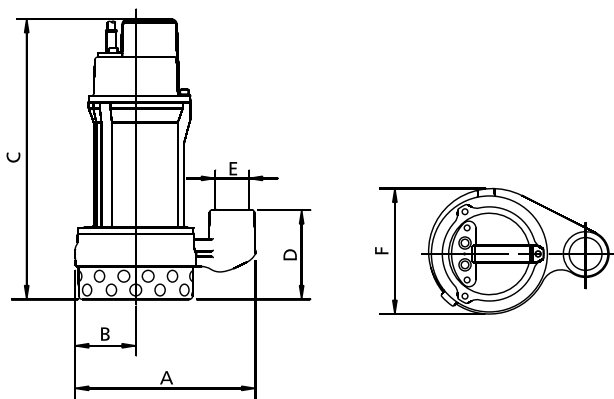
Versions available

(Key to versions on page 16)

	Electrical variants											Cooling				Mechanical seals				
	N A E	T	T C	T C D	T C D T	T C D G T	T C G	T C S T	T C S G T	T S	T R	T R G	N	CC CCE	FT	C G F T	2SIC	SICM	SICAL	2SICAL
DRE 50/2/G32V A0BM/50			●				●					●						●		
DRE 75/2/G32V A0BM/50			●				●					●						●		
DRE 100/2/G50V A0CM/50			●				●					●						●		
DRE 150/2/G50V A0CM/50			●				●					●						●		
DRE 200/2/G50V A0CM/50			●				●					●						●		
DRE 100/2/G50H A0CM/50			●				●					●						●		
DRE 150/2/G50H A0CM/50			●				●					●						●		
DRE 200/2/G50H A0CM/50			●				●					●						●		
DRE 50/2/G32V A0BT/50	●											●	●					●		
DRE 75/2/G32V A0BT/50	●											●	●					●		
DRE 100/2/G50V A0CT/50	●											●	●					●		
DRE 150/2/G50V A0CT/50	●											●	●					●		
DRE 200/2/G50V A0CT/50	●											●	●					●		
DRE 100/2/G50H A0CT/50	●											●	●					●		
DRE 150/2/G50H A0CT/50	●											●	●					●		
DRE 200/2/G50H A0CT/50	●											●	●					●		

Overall dimensions and weights

Models with vertical delivery port



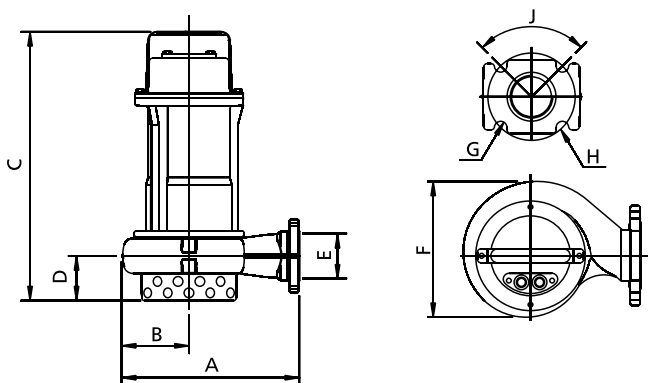
	A	B	C	D	E	F	kg
DRE 50/2/G32V A0BM(T)/50	215	70	335	105	G 1 1/4"	150	11
DRE 75/2/G32V A0BM (T)/50	215	70	335	105	G 1 1/4"	150	13
DRE 100/2/G50V A0CM (T)/50	265	100	385	125	G 2"	190	19
DRE 150/2/G50V A0CM (T)/50	265	100	385	125	G 2"	190	20
DRE 200/2/G50V A0CM (T)/50	265	100	385	125	G 2"	190	21

Measurements in mm

All weights and dimensions are indicative only

DRE

Models with horizontal delivery port

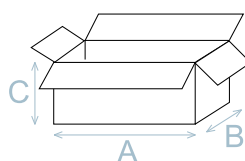


	A	B	C	D	E	F	G	H	J	kg
DRE 100/2/G50H A0CM (T)/50	255	95	385	65	G 2"-DN50	195	18	125	90°	19
DRE 150/2/G50H A0CM (T)/50	255	95	385	65	G 2"-DN50	195	18	125	90°	20
DRE 200/2/G50H A0CM (T)/50	255	95	385	65	G 2"-DN50	195	18	125	90°	21

All weights and dimensions are indicative only

Packaging dimension

	A	B	C
DRE 50/2/G32V A0BM(T)/50	385	225	245
DRE 75/2/G32V A0BM (T)/50	385	225	245
DRE 100/2/G50V A0CM (T)/50	475	285	235
DRE 150/2/G50V A0CM (T)/50	475	285	235
DRE 200/2/G50V A0CM (T)/50	475	285	235
DRE 100/2/G50H A0CM (T)/50	475	285	235
DRE 150/2/G50H A0CM (T)/50	475	285	235
DRE 200/2/G50H A0CM (T)/50	475	285	235



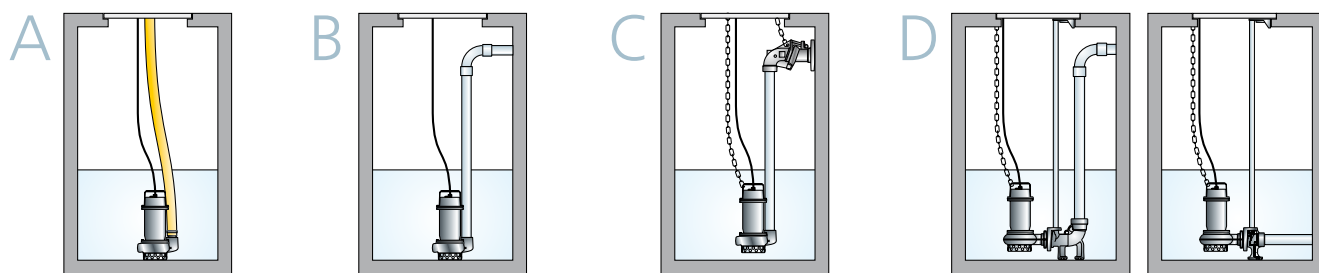
All weights and dimensions are indicative only

Dimension in mm

No. pieces per pallet

For DRE 50-75-100 models each pallet (EUR 1000X1200 mm) is able to take 48 pieces.
 For DRE 150-200 models each pallet (EUR 1000X1200 mm) is able to take 32 pieces.

Installations available





porazione
note non tolleranze
6 a 30
>30 a 120
>120 a 315
>315 a 1000
concentricità
1

non quotati: 0.5x45°
Tolleranza profondità utile filettature ±0.5
Gole non quotate: E 0.6x0.2 LWI 4386-75

90°
A

Mahr
IP67

TIPOLOGIA IDRAULICA: PER GIR. A RASAM
INC. IDR. Ø129 - MANDATA Ø G50V

Scale
11

Materiale
02
Vedi Tab. M...