

Submersible pumps

-  Filthy water
-  Domestic use
-  Civil use
-  Industrial use



PERFORMANCE RANGE

- Flow rate up to **1600 l/min** (96 m³/h)
- Head up to **25 m**

APPLICATION LIMITS

- **10 m** maximum immersion depth (with a sufficiently long power cable)
- Maximum liquid temperature **+40 °C**
- Passage of solids:
 - up to **Ø 50 mm** for MC /50
 - up to **Ø 70 mm** for MC /70
- Minimum immersion depth for continuous service:
 - **390 mm** for MC /50
 - **430 mm** for MC /70

CONSTRUCTION AND SAFETY STANDARDS

- **10 m** long power cable
- External float switch and control box for single-phase versions

EN 60335-1
IEC 60335-1
CEI 61-150

EN 60034-1
IEC 60034-1
CEI 2-3



CERTIFICATIONS

Company with management system certified DNV
ISO 9001: QUALITY
ISO 14001: ENVIRONMENT AND SAFETY



INSTALLATION AND USE

MC series pumps, made from heavy gauge robust cast iron, resistant to abrasion and long-lasting, are fitted with a **DOUBLE-CHANNEL** impeller and are capable of pumping liquids containing short fibred suspended solids. They are ideal for pumping **sewage, waste water, water mixed with mud, groundwater and surface water** in locations such as blocks of flats, public buildings, factories, multi-storey and underground car parks, washing areas, etc.

PATENTS - TRADE MARKS - MODELS

- Registered EU Design n. 342159-0017

OPTIONS AVAILABLE ON REQUEST

- QES control box for three-phase pumps
- Single-phase pumps without float switch
- Other voltages or 60 Hz frequency

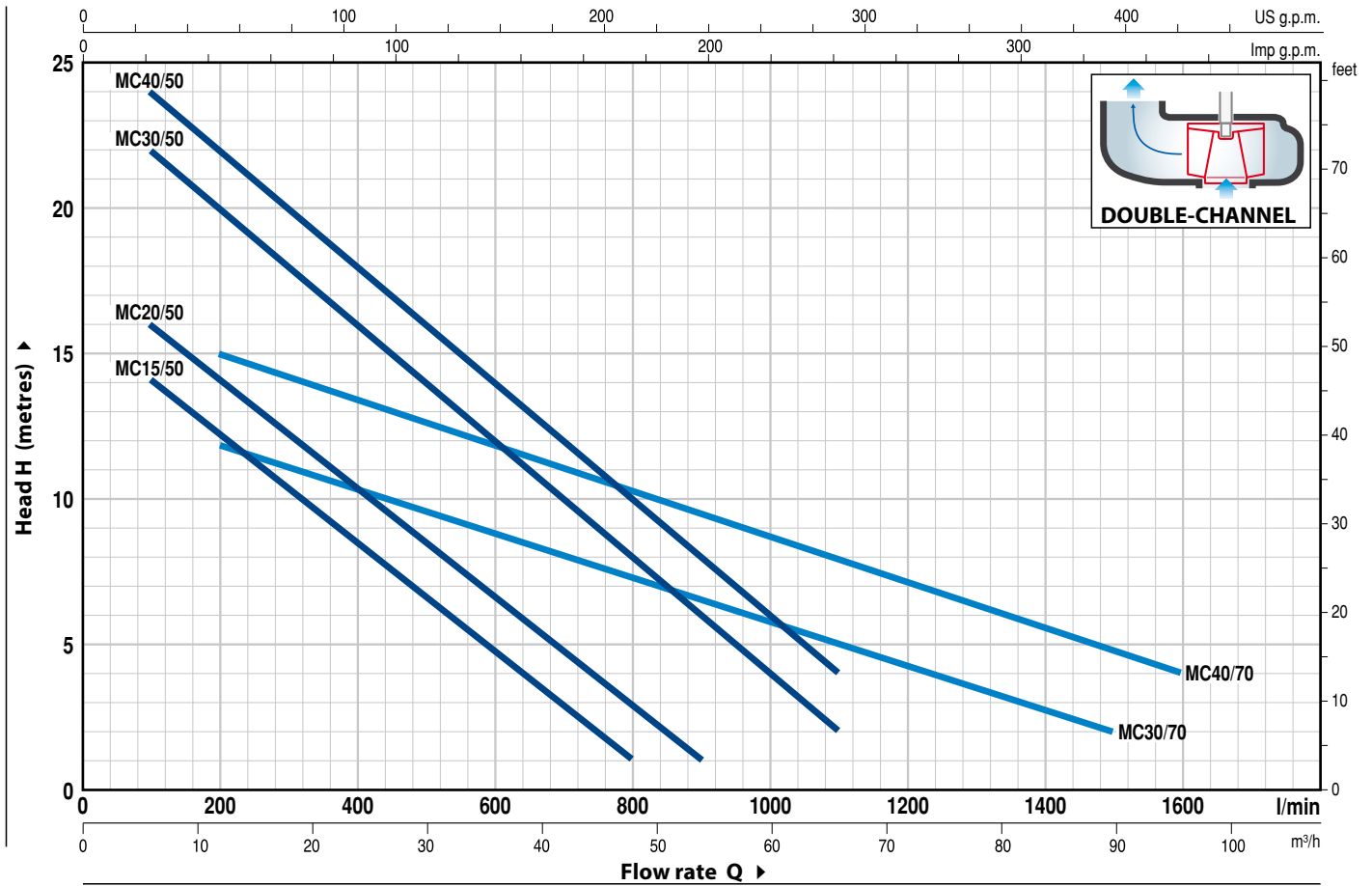
GUARANTEE

➔ **For the following versions the incorporated thermal overload protector must be connected to the control box for the guarantee to be considered valid:**

- | | |
|--------------------|----------------------------|
| single-phase | three-phase |
| – MCm 30/50 | – MC 15-20-30-40/50 |
| – MCm 30/70 | – MC 30-40/70 |

CHARACTERISTIC CURVES AND PERFORMANCE DATA

50 Hz n= 2900 rpm



MODEL		POWER (P ₂)		Q	Flow rate																
Single-phase	Three-phase	kW	HP		m ³ /h	0	6	12	18	24	30	36	42	48	54	60	66	72	90	96	
				l/min	0	100	200	300	400	500	600	700	800	900	1000	1100	1200	1500	1600		
MCm 15/50	MC 15/50	1.1	1.5	H metres	16	14	12.5	10.5	8.5	6.5	4.5	3	1								
MCm 20/50	MC 20/50	1.5	2		18	16	14	12.5	10.5	8.5	6.5	5	3	1							
MCm 30/50	MC 30/50	2.2	3		24	22	20	18	16	14	12	10	8	6	4	2					
-	MC 40/50	3	4		25	24	22	20	18	16	14	12	10	8	6	4					
MCm 30/70	MC 30/70	2.2	3		13	-	12	11	10.5	9.7	9	8	7.5	6.5	6	5	4.5	2			
-	MC 40/70	3	4		17	-	15	14	13.5	12.5	12	11	10.5	9.5	8.5	8	7	4.8	4		

Q = Flow rate H = Total manometric head

Tolerance of characteristic curves in compliance with EN ISO 9906 Grade 3B.

POS. COMPONENT CONSTRUCTION CHARACTERISTICS

1	PUMP BODY	Cast iron with threaded port in compliance with ISO 228/1
2	BASE	Stainless steel AISI 304
3	IMPELLER	Precision cast stainless steel AISI 304 DOUBLE-CHANNEL type
4	MOTOR CASING	Cast iron
5	MOTOR CASING PLATE	Cast iron
6	MOTOR SHAFT	Stainless steel AISI 431

7 TWO MECHANICAL SEALS SEPARATED BY AN OIL CHAMBER

Seal Model	Shaft Diameter	Position	Materials		
			Stationary ring	Rotational ring	Elastomer
STA-20	Ø 20 mm	Motor side	Ceramic	Graphite	NBR
STA-19	Ø 19 mm	Pump side	Silicon carbide	Silicon carbide	NBR

8 BEARINGS 6304 ZZ - C3 / 6304 ZZ - C3

9 CAPACITOR

Pump	Capacitance
Single-phase	(230 V or 240 V)
MCm 15/50	31.5 µF 450 VL
MCm 20/50	50 µF 450 VL
MCm 30/50	60 µF 450 VL
MCm 30/70	60 µF 450 VL

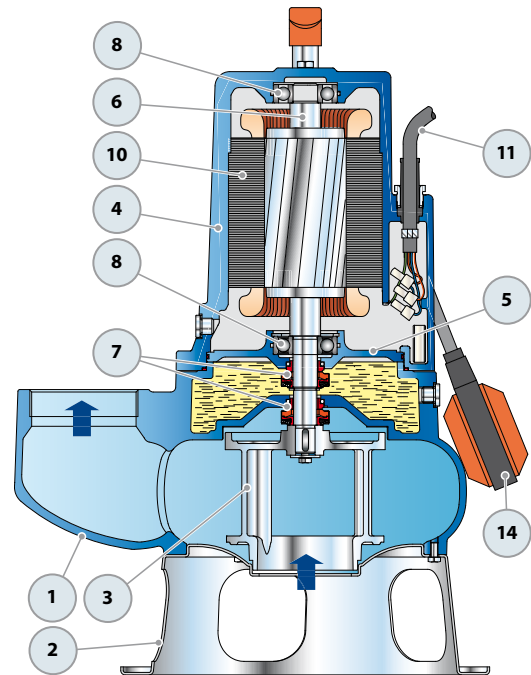
10 ELECTRIC MOTOR

MCm 15-20: single-phase 230 V - 50 Hz with thermal overload protector incorporated into the winding

⇒ **MCm 30:** single-phase 230 V - 50 Hz with thermal overload protector incorporated into the winding to be connected to the control box

⇒ **MC:** three-phase 400 V - 50 Hz. with thermal overload protector incorporated into the winding to be connected to the control box (supplied on demand)

- Insulation: class F
- Protection: IP X8



11 POWER CABLE

10 metres long "H07 RN-F" cable

12 CONTROL BOX for MCm 15-20

(only for single-phase versions)

Complete with capacitor and manual reset motor protector

13 CONTROL BOX per MCm 30

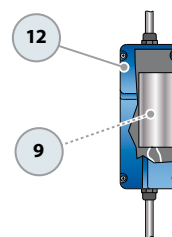
(only for single-phase versions)

QES 300 MONO series

14 FLOAT SWITCH

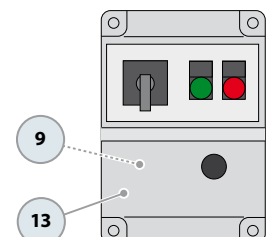
(only for single-phase versions)

Standard features



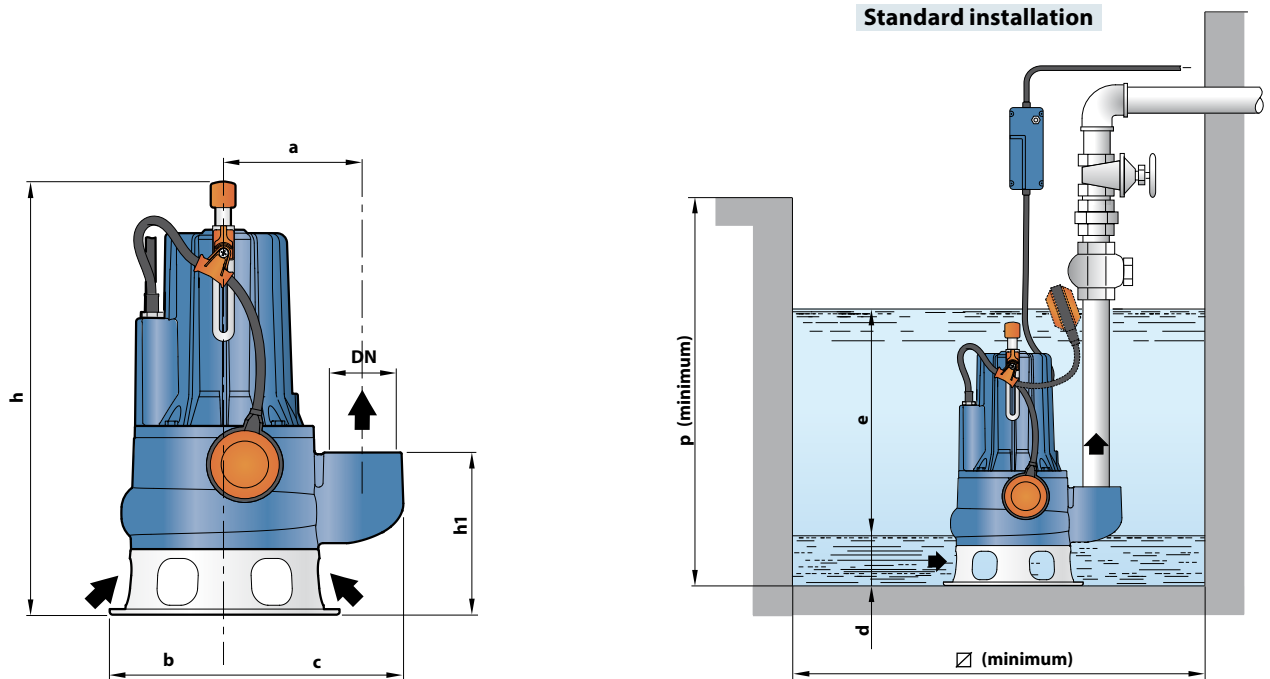
Control box for MCm 15-20 (only for single-phase versions)

Standard features



Control box for MCm 30 (only for single-phase versions)

DIMENSIONS AND WEIGHT



MODEL		PORT DN	Passage of solids	DIMENSIONS mm									kg	
Single-phase	Three-phase			a	b	c	h	h1	d	e	p	Ø	1~	3~
MCm 15/50	MC 15/50	2½"	Ø 50 mm	162	135	210	509	191	75	variable	800	800	36.7	35.4
MCm 20/50	MC 20/50						522/509						37.7	36.4
MCm 30/50	MC 30/50						522						41.9	38.6
-	MC 40/50						562/548						-	42.2
MCm 30/70	MC 30/70	3"	Ø 70 mm	180	150	237	562/548	233	85				45.0	41.7
-	MC 40/70						562						-	45.3

ABSORPTION

MODEL	VOLTAGE	
	230 V	240 V
MCm 15/50	9.0 A	8.9 A
MCm 20/50	10.5 A	10.4 A
MCm 30/50	15.2 A	15.1 A
MCm 30/70	15.2 A	15.1 A

MODEL	VOLTAGE		
	230÷240 V	400÷415 V	690÷720 V
MC 15/50	6.1 A	3.5 A	2.0 A
MC 20/50	7.4 A	4.3 A	2.5 A
MC 30/50	9.9 A	5.7 A	3.3 A
MC 40/50	13.5 A	7.8 A	4.5 A
MC 30/70	10.2 A	5.9 A	3.4 A
MC 40/70	13.5 A	7.8 A	4.5 A

PALLETIZATION

MODEL		GROUPAGE n. pumps	CONTAINER n. pumps
Single-phase	Three-phase		
MCm 15/50	MC 15/50	16	24
MCm 20/50	MC 20/50	16	24
MCm 30/50	MC 30/50	16	24
-	MC 40/50	16	24
MCm 30/70	MC 30/70	12	12
-	MC 40/70	12	12