

MULTIGO

VERTICAL MULTISTAGE CENTRIFUGAL ELECTRIC PUMPS

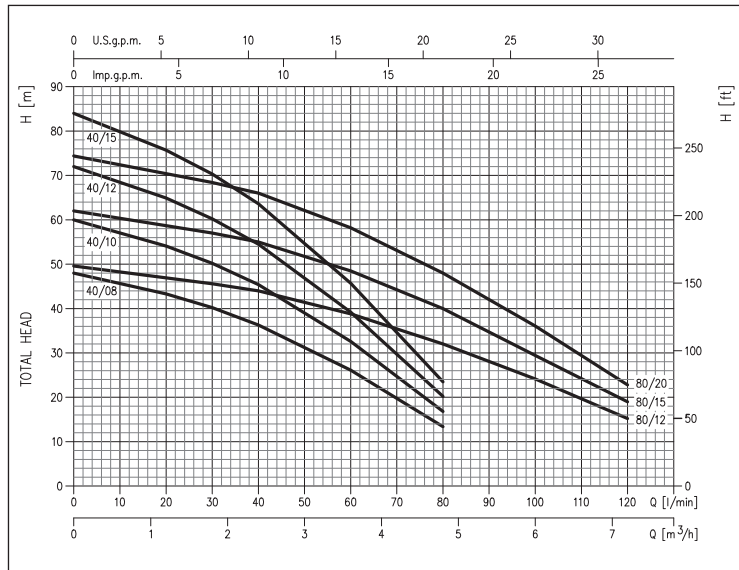
in AISI 304



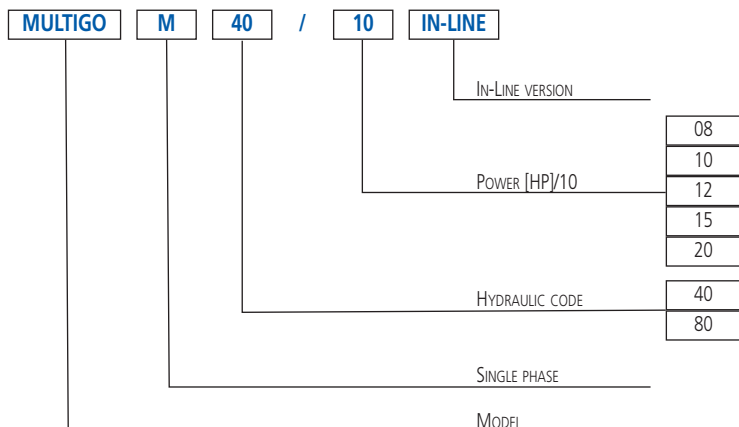
MULTIGO

MULTIGO IN-LINE

PERFORMANCE CURVES (according to ISO 9906 Attachment A)



IDENTIFICATION CODE



AISI 304 vertical multistage centrifugal electric pumps.

APPLICATIONS

- Boosting of domestic and community hydraulic plants
- Moving liquids in places subject to flooding
- Supplying fountains
- Water games
- Sprinkling irrigation of small vegetable patches and gardens

TECHNICAL DETAILS

- Reliable
- Silent
- Equipped with motor cooled by the flow of moving water
- Twin mechanical seal with interposed oil chamber containing the lubrication liquid that ensures long duration
- Equipped with 5 m of H07 RN-F power supply cable
- Also available in the in-line version (only for single-phase version)

PUMP TECHNICAL DATA

- Maximum working pressure: 10 bar
- Maximum temperature of the liquid: 40°C
- Maximum suction depth: 6 m
- G1 ¼ suction and discharge connection
- MEI > 0,4

For further information see our Data Book

MOTOR TECHNICAL DATA

- Asynchronous motor cooled via the moving liquid
- Class of insulation F
- IP68 Protection degree
- 230V ±10%, 50Hz single phase voltage
- 230V ±10%, 50Hz three phase voltage
- 400V ±10%, 50Hz three phase voltage
- Permanent capacitor inserted and thermo-amperometric protection with automatic rearm incorporated for the single phase motor
- Protection under user's responsibility for the three phase version

MATERIALS

- Pump casing, seal housing disc, external casing and motor cover in AISI 304
- Impeller and diffuser in PPE+PS reinforced with fibreglass
- Shaft in AISI 416
- Mechanical seal in Carbon/Ceramic/NBR

CONTROL PANELS

- 1EPBH

ACCESSORIES (on request)

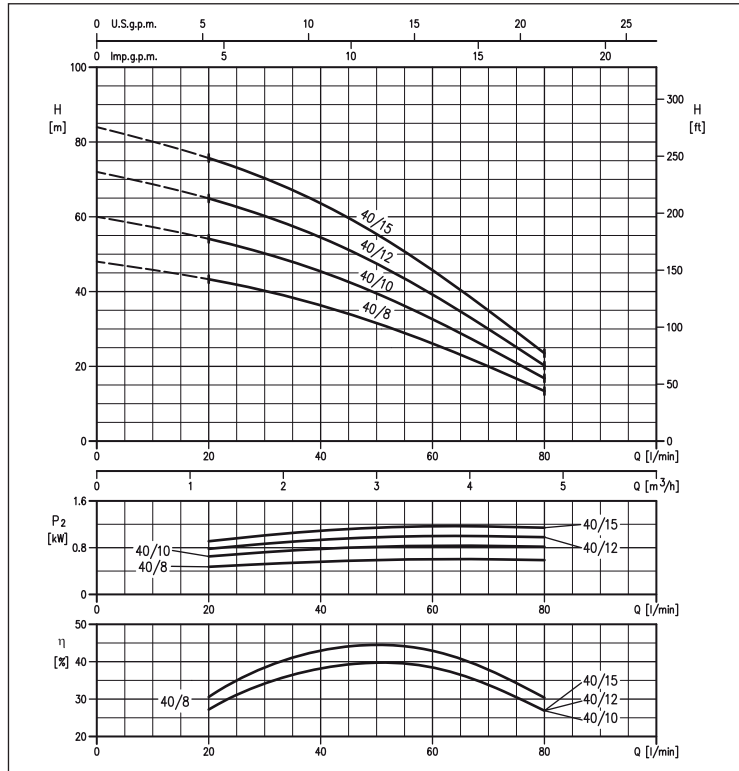
- 5 litre 10 bar ¾ EPDM vessel
- 24 litre 8 bar 1" EPDM vessel
- 24 litre 10 bar 1" EPDM vessel
- 24 litre 16 bar 1" EPDM vessel
- PVC 5m key float with counter-weight
- PVC 10m key float with counter-weight
- SQUARE-D FSG-2 1.4÷4.6 bar G¼ F pressure switch
- FYG-22 2.8÷7 bar G¼ F pressure switch
- FYG-32 5.6÷10.5 bar G¼ F pressure switch
- Presscomfort - Pressure regulator
- Press•o•Matic - Variable speed control system (230V±10% single phase - power supply three phase 220V output - maximum motor power 2.2 kW - 3 HP)
- E-drive - Frequency converter

VERTICAL MULTISTAGE CENTRIFUGAL ELECTRIC PUMPS

in AISI 304

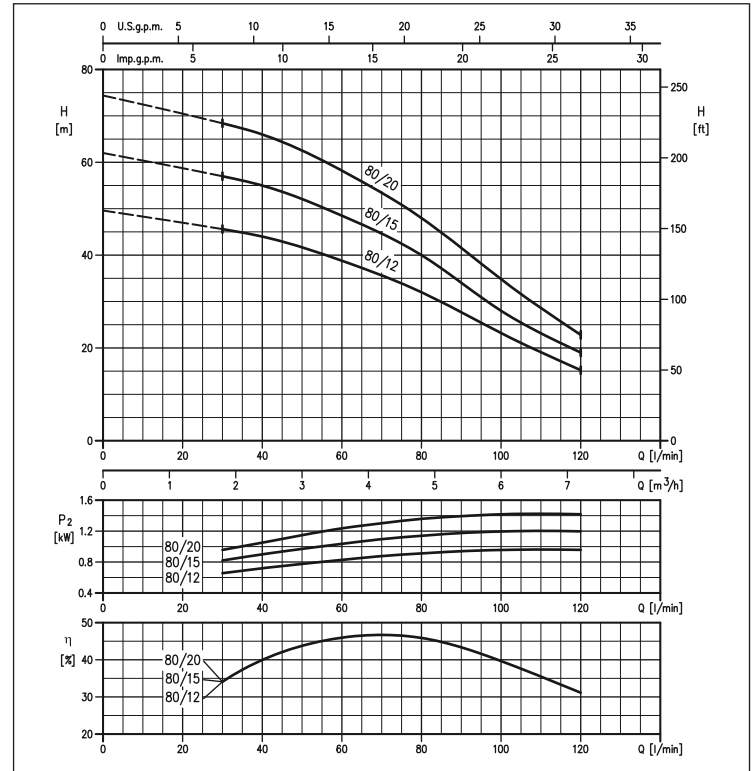
PERFORMANCE CURVES serie MULTIGO 40

(according to ISO 9906 Attachment A)



PERFORMANCE CURVES serie MULTIGO 80

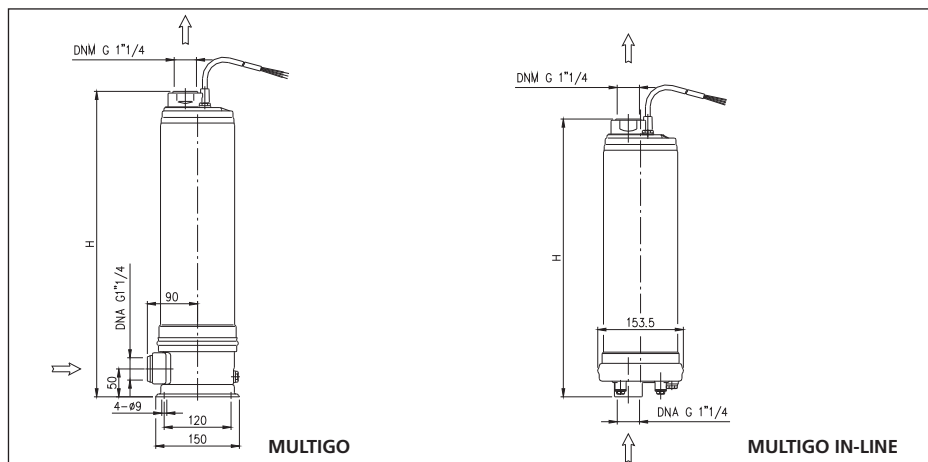
(according to ISO 9906 Attachment A)



PERFORMANCE TABLE

MULTIGO	Model	P ₂		Q=Flow rate										
		[HP]	[kW]	l/min	20	30	40	H=Head [m]			100	120		
MULTIGO IN-LINE				m ³ /h	1,2	1,8	2,4	60	80	120	120	120		
MULTIGO M40/08	MULTIGO 40/08	0,8	0,6	43,3	40,2	36,3	26,1	13,4	-	-	-	-	-	-
MULTIGO M40/10	MULTIGO 40/10	1	0,75	54,1	50,2	45,4	32,6	16,8	-	-	-	-	-	-
MULTIGO M40/12	MULTIGO 40/12	1,2	0,9	64,9	60,2	54,5	39,2	20,2	-	-	-	-	-	-
MULTIGO M40/15	MULTIGO 40/15	1,5	1,1	75,7	70,3	63,6	45,7	23,5	-	-	-	-	-	-
MULTIGO M80/12	MULTIGO 80/12	1,2	0,9	-	45,6	44,0	38,8	32,0	23,2	15,2	-	-	-	-
MULTIGO M80/15	MULTIGO 80/15	1,5	1,1	-	57,0	55,0	48,5	40,0	28,0	19,0	-	-	-	-
MULTIGO M80/20	-	2	1,5	-	68,4	66,0	58,2	48,0	34,8	22,8	-	-	-	-

DIMENSIONS TABLE



DIMENSIONS TABLE

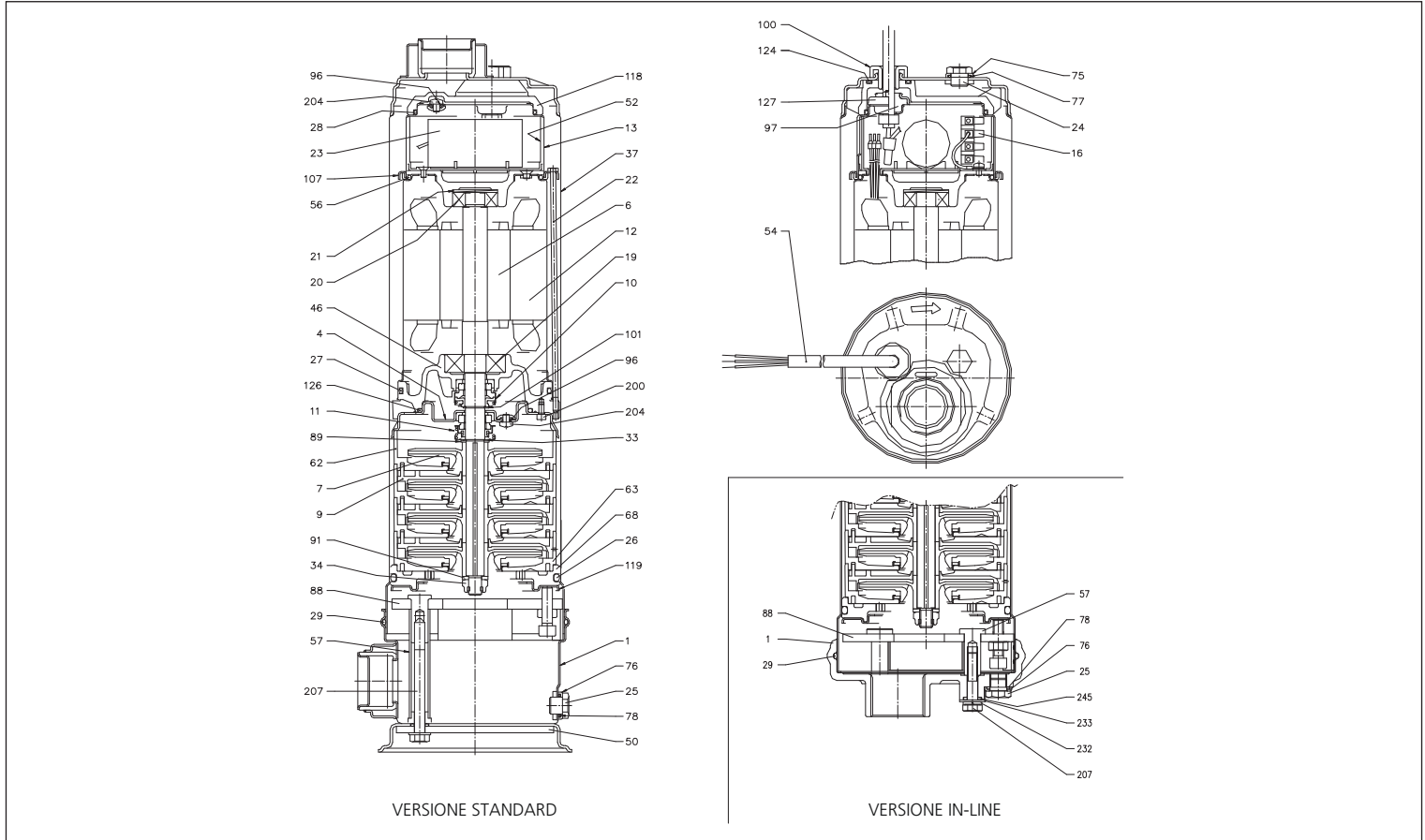
Model	H [mm]		Weight [kg]	
	VERSIONE STANDARD	VERSIONE IN-LINE	[2]	[1]
MULTIGO 40/08	547	501	15,3	16,0
MULTIGO 40/10	573	527	16,5	17,0
MULTIGO 40/12	624	578	17,7	18,0
MULTIGO 40/15	650	604	18,8	18,7
MULTIGO 80/12	573	527	17,0	17,4
MULTIGO 80/15	598	552	18,2	18,2
MULTIGO 80/20	624	-	-	19,2

[1]= Three phase only
[2]= Single phase only

VERTICAL MULTISTAGE CENTRIFUGAL ELECTRIC PUMPS

in AISI 304

SECTIONAL VIEW



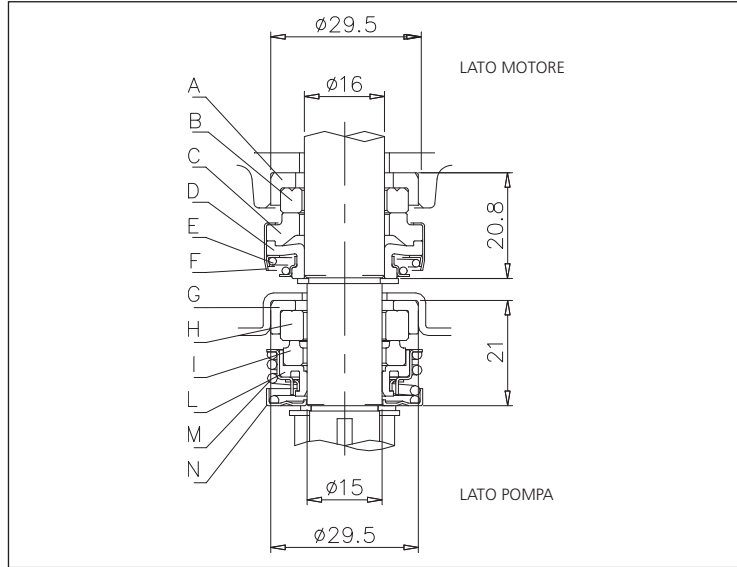
MATERIALS TABLE

Ref.	Name	Material	Ref.	Name	Material
1	Pump body	EN 1.4301 (AISI 304)	56	O-Ring	NBR
4	Seal housing disc	EN 1.4301 (AISI 304)	57	Filter spacer	EN 1.4305 (AISI 303)
6	Shaft	EN 1.4057 (AISI 431)	62	Stage box	PPE+PS reinforced with fibreglass
7	Impeller	PPE+PS reinforced with fibreglass	63	Stage box with hole	PPE+PS reinforced with fibreglass
9	Nozzle	PPE+PS reinforced with fibreglass	68	Lower spacer	PPE+PS reinforced with fibreglass
10	Motor side mechanical seal	Carbon/Ceramic/NBR	75	Washer	EN 1.4301 (AISI 304)
11	Pump side mechanical seal	Carbon/Ceramic/NBR	76	Washer	EN 1.4301 (AISI 304)
12	Motor casing with stator	-	77	O-Ring	NBR
13	Motor cover	EN 1.4301 (AISI 304)	78	O-Ring	NBR
16	Terminal box	-	88	Closing ring	EN 1.4301 (AISI 304)
19	Bearing (pump side)	-	89	Washer	EN 1.4301 (AISI 304)
20	Bearing (motor side)	-	91	Washer	EN 1.4301 (AISI 304)
21	Adjusting ring	Steel C70	96	O-Ring	NBR
22	Tie-rod	EN 1.4305 (AISI 303)	97	Cable gland	NBR
23	Capacitor (For single phase only)	-	100	Lock screw	EN 1.4305 (AISI 303)
24	Filler cap	EN 1.4305 (AISI 303)	101	Seeger ring	EN 1.4021 (AISI 420)
25	Drain plug	EN 1.4305 (AISI 303)	107	Closing ring	EN 1.4301 (AISI 304)
26	O-Ring	NBR	118	Upper spacer with hole	Brass
27	O-Ring	NBR	119	Flange for spacer	EN 1.4301 (AISI 304)
28	O-Ring	NBR	124	O-Ring	NBR
29	O-Ring	NBR	126	O-Ring	NBR
33	Seeger ring	EN 1.4301 (AISI 304)	127	Cable gland connector (power supply)	EN 1.4301 (AISI 304)
34	Impeller nut	EN 1.4301 (AISI 304)	200	Screw	Stainless steel A2 UNI 7323
37	Casing	EN 1.4301 (AISI 304)	204	Screw	Stainless steel A2 UNI 7323
46	Bearing holder support	Brass	207	Screw	Stainless steel A2 UNI 7323
50	Pump body support	EN 1.4301 (AISI 304)	232	Washer	Stainless steel A2 UNI 7323
52	Capacitor-holder box	PA66 reinforced with fibreglass	233	Washer	Stainless steel A2 UNI 7323
54	Power supply cable	-	245	O-Ring	NBR

VERTICAL MULTISTAGE CENTRIFUGAL ELECTRIC PUMPS

in AISI 304

MECHANICAL SEAL



MATERIALS TABLE

Ref.	Name	Material
A	Fixed gasket	NBR
B	Fixed sealing ring	Ceramic
C	Rotating sealing ring	Carbon
D	Rotating gasket	NBR
E	Spring	AISI 304
F	Structure/frame	AISI 304
G	Fixed gasket	NBR
H	Fixed sealing ring	Ceramic
I	Rotating sealing ring	Carbon
L	Rotating gasket	NBR
M	Spring	AISI 304
N	Structure/frame	AISI 304

ELECTRIC DATA TABLE

Model		P ₂		Capacitor		P ₁		Absorbed Current [A]		
Single phase 230V	Three phase 230V - 400V	[HP]	[kW]	Single phase μF	V _c	Single phase [kW]	Three phase [kW]	Single phase 230V	Three phase	
									230V	400V
MULTIGO M40/08	MULTIGO 40/08	0,8	0,6	16	450	1	0,95	4,3		1,9
MULTIGO M40/10	MULTIGO 40/10	1	0,75	20	450	1,25	1,18	5,7		2,2
MULTIGO M40/12	MULTIGO 40/12	1,2	0,9	20	450	1,42	1,33	6,8		2,4
MULTIGO M40/15	MULTIGO 40/15	1,5	1,1	31,5	450	1,6	1,55	7,3	-	3,0
MULTIGO M80/12	MULTIGO 80/12	1,2	0,9	20	450	1,33	1,22	6,4		2,3
MULTIGO M80/15	MULTIGO 80/15	1,5	1,1	31,5	450	1,62	1,52	7,5		3,1
-	MULTIGO M80/20	2	1,5	-	-	-	1,9	-		3,5

NOISE DATA TABLE

Model		P ₂		L _{PA} - dB(A)*
Single phase 230V	Three phase 230V - 400V	[HP]	[kW]	
MULTIGO M40/08	MULTIGO 40/08	0,8	0,6	58
MULTIGO M40/10	MULTIGO 40/10	1	0,75	
MULTIGO M40/12	MULTIGO 40/12	1,2	0,9	
MULTIGO M40/15	MULTIGO 40/15	1,5	1,1	
MULTIGO M80/12	MULTIGO 80/12	1,2	0,9	59
MULTIGO M80/15	MULTIGO 80/15	1,5	1,1	
-	MULTIGO M80/20	2	1,5	

* Mean value of several measures at 1m distance around the pump.
Tolerance ± 2,5 dB.