

DGE

Set-back vortex impeller

All product images are indicative only



General characteristics

set-back vortex impeller	
motor power	0,37 ÷ 1,5 kW
poles	2
discharge	GAS 2" vertical GAS 2" - DN50 horizontal
free passage	max 50 mm
max flow rate	11.6 l/s
max head	15.7 m

Electromechanical assembly

Electromechanical assembly in GJL-250 cast iron, for submerged operation. Seal set comprising 1 (one) silicon carbide mechanical seal and 1 (one) lip seal. Ecological dry motor.

Applications

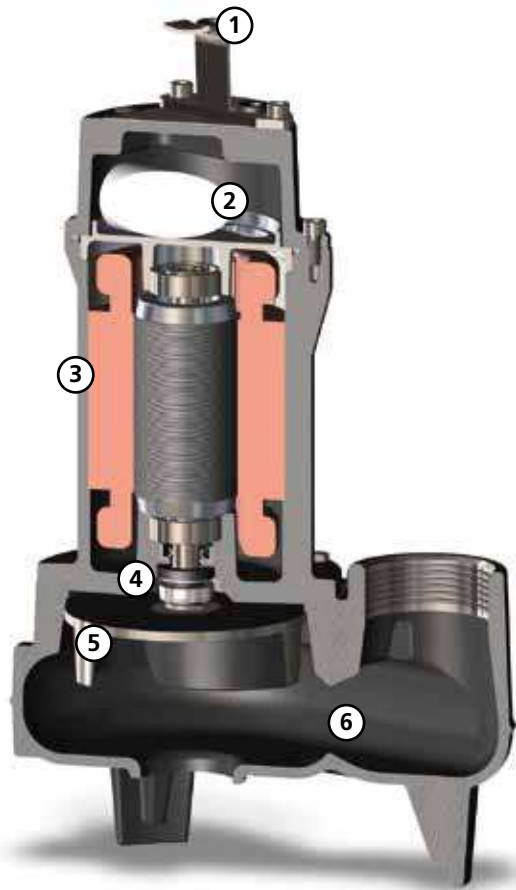
Suitable with slightly soiled biological wastewaters and sewage. Suitable for domestic and residential use.

Construction materials

Case	Cast iron EN-GJL 250
Impeller	Cast iron EN-GJL-250
Nuts and bolts	Stainless steel - Class A2-70
Standard gasket	Rubber - NBR
Shaft	Stainless Steel - AISI 420
Paint type	Ecological bicomponent epoxy (medium thickness 80 µm)
Set of standard mechanical seals	One silicon carbide mechanical seal (SiC) and one lip seal

Operating limits

Maximum operating temperature	40 °C
PH of treated fluid	6 ÷ 14
Viscosity of treated fluid	1 mm ² /s
Maximum immersion depth	20 m
Density of treated fluid	1 Kg/dm ³
Maximum acoustic pressure	70 dB
Max starts per hour	30



Handle
AISI 304 stainless steel lifting and carrying handle



Capacitor/relay
Single-phase models with internal capacitor. Three-phase models with motor protection relay (option)



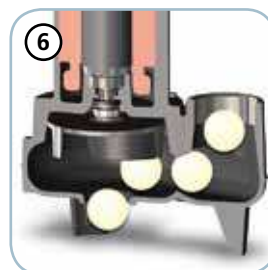
Motor
Ecological dry motor with thermal protections



Mechanical seals
One mechanical seal in silicon carbide (SiC) and one lip seal



Impeller
Cast iron vortex impeller



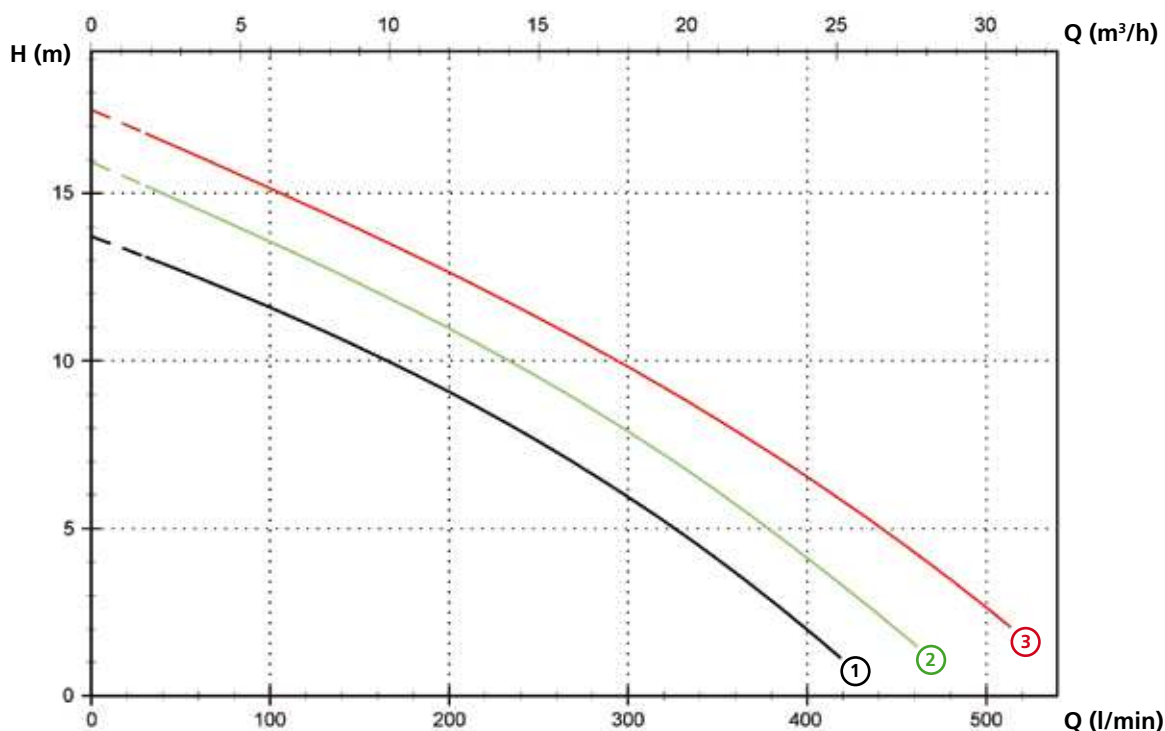
Free passage
Wide free passage allowing the expulsion of solids and preventing fouling of the impeller

DGE

Models with vertical GAS 1½" threaded discharge - 2 poles

Performances

	l/s	0	2	4	6	8
	l/min	0	120	240	360	480
	m³/h	0	7.2	14.4	21.6	28.8
① DGE 100/2/G40V A0CM(T)/50		13.7	11.1	7.9	3.7	
② DGE 150/2/G40V A0CM(T)/50		15.9	13.1	9.8	5.7	
③ DGE 200/2/G40V A0CM(T)/50		17.5	14.7	11.6	7.9	3.5



Technical data

	V	Phases	P1 (kW)	P2 (kW)	A	Rpm	Start	Ø	Cable (*)	Free passage
① DGE 100/2/G40V A0CM/50	230	1	-	0.88	6.0	2900	Dir	G 1 1/2"	A	40 mm
② DGE 150/2/G40V A0CM/50	230	1	-	1.1	7.6	2900	Dir	G 1 1/2"	A	40 mm
③ DGE 200/2/G40V A0CM/50	230	1	-	1.5	8.9	2900	Dir	G 1 1/2"	A	40 mm

	V	Phases	P1 (kW)	P2 (kW)	A	Rpm	Start	Ø	Cable (*)	Free passage
① DGE 100/2/G40V A0CT/50	400	3	-	0.88	2.0	2900	Dir	G 1 1/2"	B	40 mm
② DGE 150/2/G40V A0CT/50	400	3	-	1.1	2.46	2900	Dir	G 1 1/2"	B	40 mm
③ DGE 200/2/G40V A0CT/50	400	3	-	1.5	3.2	2900	Dir	G 1 1/2"	B	40 mm

(*) A = H07RN-F 3G1 - 5 m cable length. Optional 10 m cable length with schuko plug.

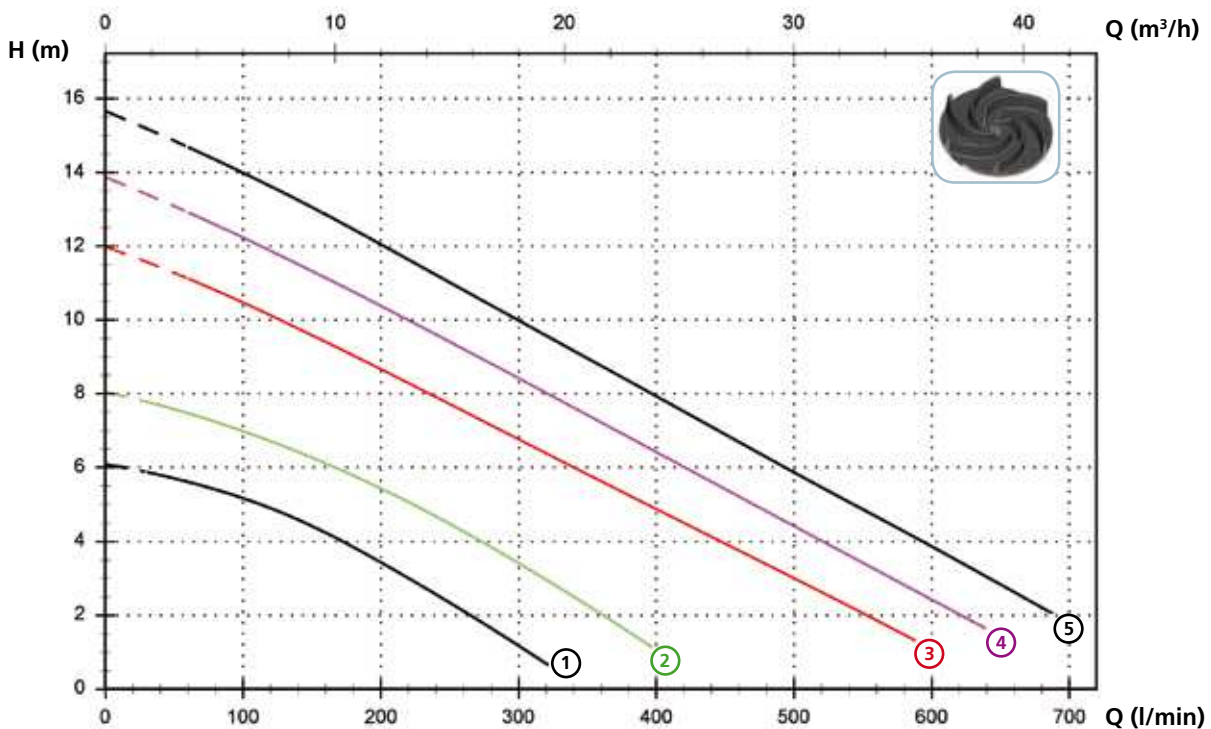
B = H07RN-F 4G1 - 10 m cable length

Attention: Standard EN 60335-2-41 requires the use of a 10 m cable length in outdoor applications

Models with vertical GAS 2" threaded discharge - 2 poles

Performances

	l/s	0	2	4	6	8	10
	l/min	0	120	240	360	480	600
	m ³ /h	0	7.2	14.4	21.6	28.8	36.0
① DGE 50/2/G50V B0BM(T)/50		6.1	4.9	2.6			
② DGE 75/2/G50V B0BM(T)/50		8.0	6.7	4.7	2.0		
③ DGE 100/2/G50V B0CM(T)/50		12.0	10.1	7.9	5.6	3.4	
④ DGE 150/2/G50V B0CM(T)/50		13.9	11.9	9.6	7.2	4.8	2.4
⑤ DGE 200/2/G50V B0CM(T)/50		15.7	13.6	11.2	8.8	6.3	3.9



Technical data

	V	Phases	P1 (kW)	P2 (kW)	A	Rpm	Start	Ø	Cable (*)	Free passage
① DGE 50/2/G50V B0BM/50	230	1	-	0.37	2.8	2900	Dir	G 2"	A	40 mm
② DGE 75/2/G50V B0BM/50	230	1	-	0.55	3.6	2900	Dir	G 2"	A	40 mm
③ DGE 100/2/G50V B0CM/50	230	1	-	0.88	6.5	2900	Dir	G 2"	A	50 mm
④ DGE 150/2/G50V B0CM/50	230	1	-	1.1	8.2	2900	Dir	G 2"	A	50 mm
⑤ DGE 200/2/G50V B0CM/50	230	1	-	1.5	9.4	2900	Dir	G 2"	A	50 mm
	V	Phases	P1 (kW)	P2 (kW)	A	Rpm	Start	Ø	Cable (*)	Free passage
① DGE 50/2/G50V B0BT/50	400	3	-	0.37	1.1	2900	Dir	G 2"	B	40 mm
② DGE 75/2/G50V B0BT/50	400	3	-	0.55	1.3	2900	Dir	G 2"	B	40 mm
③ DGE 100/2/G50V B0CT/50	400	3	-	0.88	2.2	2900	Dir	G 2"	B	50 mm
④ DGE 150/2/G50V B0CT/50	400	3	-	1.1	2.6	2900	Dir	G 2"	B	50 mm
⑤ DGE 200/2/G50V B0CT/50	400	3	-	1.5	3.6	2900	Dir	G 2"	B	50 mm

(*) A = H07RN-F 3G1 - 5 m cable length. Optional 10 m cable length with schuko plug.
 B = H07RN-F 4G1 - 10 m cable length

Attention: Standard EN 60335-2-41 requires the use of a 10 m cable length in outdoor applications

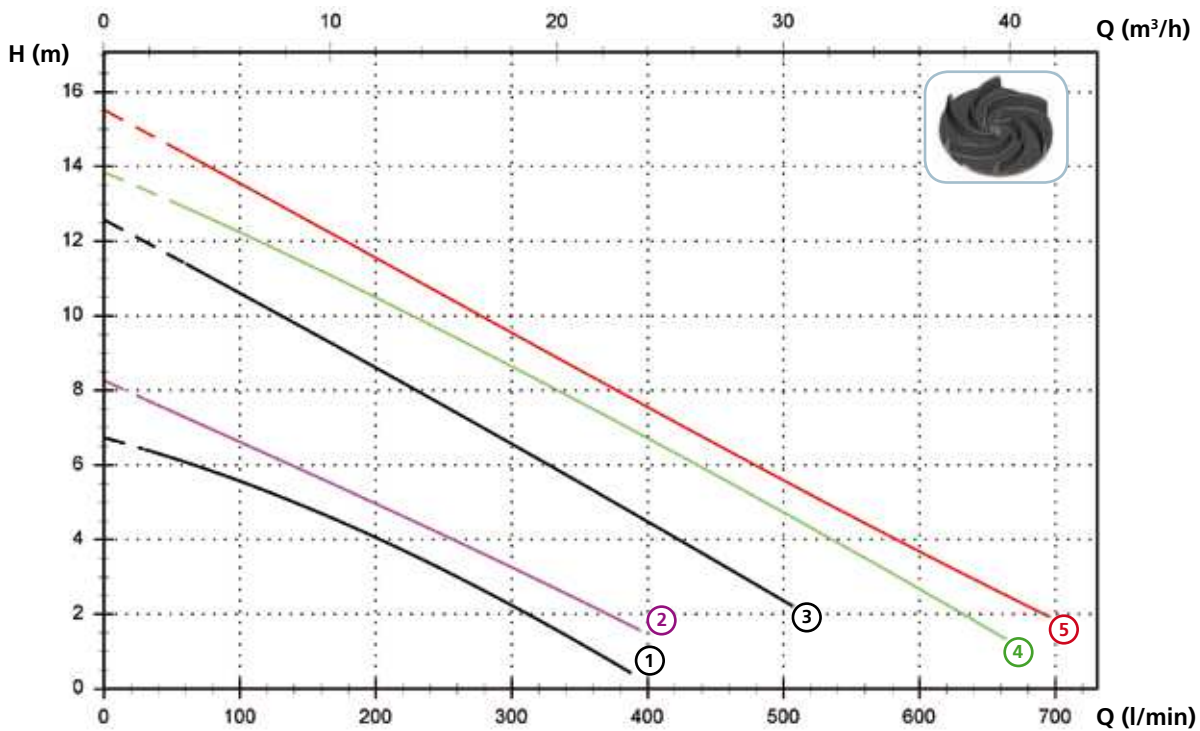


DGE

Models with horizontal GAS 2" threaded - DN50 PN10-16 flanged discharge - 2 poles

Performances

	l/s	0	2	4	6	8	10
	l/min	0	120	240	360	480	600
	m ³ /h	0	7.2	14.4	21.6	28.8	36.0
①	DGE 50/2/G50H A1BM/50	6.7	5.3	3.4	1.0		
②	DGE 75/2/G50H A1BM/50	8.3	6.3	4.3	2.2		
③	DGE 100/2/G50H A0CM/50	12.6	10.2	7.8	5.3	2.8	
④	DGE 150/2/G50H A0CM/50	13.8	11.9	9.8	7.5	5.1	2.7
⑤	DGE 200/2/G50H A0CM/50	15.5	13.2	10.8	8.3	6.0	3.7



Technical data

	V	Phases	P1 (kw)	P2 (kw)	A	Rpm	Start	Ø	Cable (*)	Free passage
①	230	1	-	0.37	2.8	2900	Dir	G2" - DN50 PN10-16	A	40 mm
②	230	1	-	0.55	3.6	2900	Dir	G2" - DN50 PN10-16	A	40 mm
③	230	1	-	0.88	6.5	2900	Dir	G2" - DN50 PN10-16	A	50 mm
④	230	1	-	1.1	8.2	2900	Dir	G2" - DN50 PN10-16	A	50 mm
⑤	230	1	-	1.5	9.4	2900	Dir	G2" - DN50 PN10-16	A	50 mm
	V	Phases	P1 (kw)	P2 (kw)	A	Rpm	Start	Ø	Cable (*)	Free passage
①	400	3	-	0.37	1.1	2900	Dir	G2" - DN50 PN10-16	B	40 mm
②	400	3	-	0.55	1.3	2900	Dir	G2" - DN50 PN10-16	B	40 mm
③	400	3	-	0.88	2.2	2900	Dir	G2" - DN50 PN10-16	B	50 mm
④	400	3	-	1.1	2.6	2900	Dir	G2" - DN50 PN10-16	B	50 mm
⑤	400	3	-	1.5	3.6	2900	Dir	G2" - DN50 PN10-16	B	50 mm

(*) A = H07RN-F 3G1 - 5 m cable length. Optional 10 m cable length with schuko plug.
 B = H07RN-F 4G1 - 10 m cable length

Attention: Standard EN 60335-2-41 requires the use of a 10 m cable length in outdoor applications

Versions available

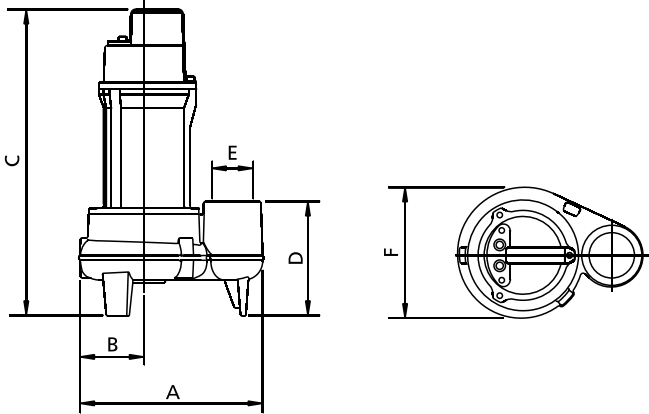
(Key to versions on page 16)

	Electrical variants											Cooling				Mechanical seals				
	N A E	T	T C	T C D	T C D T	T C D G T	T C G	T C S T	T C S G T	T S	T R	T R G	N	CC CCE	FT	C G F T	2SIC	SICM	SICAL	2SICAL
DGE 100/2/G40V A0CM/50			●				●						●						●	
DGE 150/2/G40V A0CM/50			●				●						●						●	
DGE 200/2/G40V A0CM/50			●				●						●						●	
DGE 100/2/G40V A0CT/50	●											●	●						●	
DGE 150/2/G40V A0CT/50	●											●	●						●	
DGE 200/2/G40V A0CT/50	●											●	●						●	
DGE 50/2/G50V B0BM/50			●				●						●						●	
DGE 75/2/G50V B0BM/50			●				●						●						●	
DGE 100/2/G50V B0CM/50			●				●						●						●	
DGE 150/2/G50V B0CM/50			●				●						●						●	
DGE 200/2/G50V B0CM/50			●				●						●						●	
DGE 50/2/G50V B0BT/50	●											●	●						●	
DGE 75/2/G50V B0BT/50	●											●	●						●	
DGE 100/2/G50V B0CT/50	●											●	●						●	
DGE 150/2/G50V B0CT/50	●											●	●						●	
DGE 200/2/G50V B0CT/50	●											●	●						●	
DGE 50/2/G50H A1BM/50			●				●						●						●	
DGE 75/2/G50H A1BM/50			●				●						●						●	
DGE 100/2/G50H A0CM/50			●				●						●						●	
DGE 150/2/G50H A0CM/50			●				●						●						●	
DGE 200/2/G50H A0CM/50			●				●						●						●	
DGE 50/2/G50H A1BT/50	●											●	●						●	
DGE 75/2/G50H A1BT/50	●											●	●						●	
DGE 100/2/G50H A0CT/50	●											●	●						●	
DGE 150/2/G50H A0CT/50	●											●	●						●	
DGE 200/2/G50H A0CT/50	●											●	●						●	

DGE

Overall dimensions and weights

Models with vertical discharge

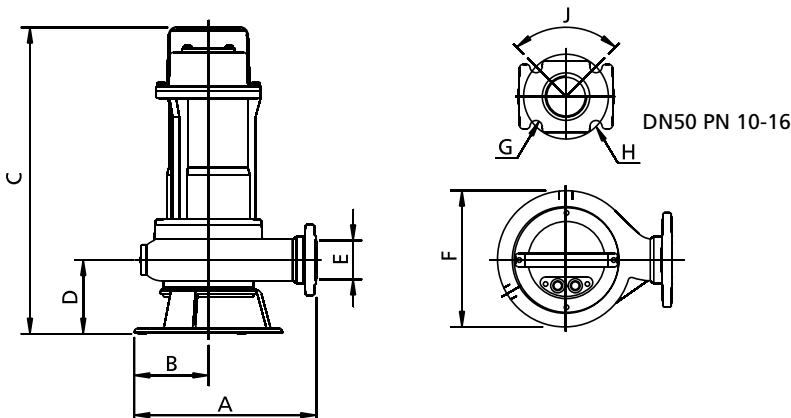


	A	B	C	D	E	F	kg
DGE 100/2/G40V A0CM(T)/50	260	100	405	125	G 1 1/2"	205	19
DGE 150/2/G40V A0CM(T)/50	260	100	405	125	G 1 1/2"	205	20
DGE 200/2/G40V A0CM(T)/50	260	100	405	125	G 1 1/2"	205	21
DGE 50/2/G50V B0BM(T)/50	230	80	385	120	G 2"	165	12
DGE 75/2/G50V B0BM(T)/50	230	80	385	120	G 2"	165	14
DGE 100/2/G50V B0CM(T)/50	270	100	425	130	G 2"	205	19
DGE 150/2/G50V B0CM(T)/50	270	100	425	130	G 2"	205	20
DGE 200/2/G50V B0CM(T)/50	270	100	425	130	G 2"	205	21

Dimensions in mm

All weights and dimensions are indicative only

Models with horizontal discharge



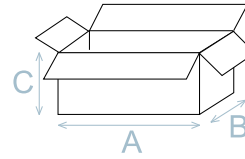
	A	B	C	D	E	F	G	H	J	kg
DGE 50/2/G50H A1BM(T)/50	220	80	365	65	G 2"-DN50	160	18	125	90°	12
DGE 75/2/G50H A1BM(T)/50	220	80	365	65	G 2"-DN50	160	18	125	90°	14
DGE 100/2/G50H A0CM(T)/50	270	110	455	110	G 2"-DN50	205	18	125	90°	19
DGE 150/2/G50H A0CM(T)/50	270	110	455	110	G 2"-DN50	205	18	125	90°	20
DGE 200/2/G50H A0CM(T)/50	270	110	455	110	G 2"-DN50	205	18	125	90°	21

Dimensions in mm

All weights and dimensions are indicative only

Packaging dimension

	A	B	C
DGE 100/2/G40V A0CM(T)/50	475	285	235
DGE 150/2/G40V A0CM(T)/50	475	285	235
DGE 200/2/G40V A0CM(T)/50	475	285	235
DGE 50/2/G50V B0BM(T)/50	385	225	245
DGE 75/2/G50V B0BM(T)/50	385	225	245
DGE 100/2/G50V B0CM(T)/50	475	285	235
DGE 150/2/G50V B0CM(T)/50	475	285	235
DGE 200/2/G50V B0CM(T)/50	475	285	235
DGE 50/2/G50H A1BM(T)/50	385	225	245
DGE 75/2/G50H A1BM(T)/50	385	225	245
DGE 100/2/G50H A0CM(T)/50	475	285	235
DGE 150/2/G50H A0CM(T)/50	475	285	235
DGE 200/2/G50H A0CM(T)/50	475	285	235



Dimension in mm

All weights and dimensions are indicative only

No. pieces per pallet

For DGE 50-75 models each pallet (EUR 1000X1200 mm) is able to take 48 pieces.
 For DGE 100-150-200 models each pallet (EUR 1000X1200 mm) is able to take 32 pieces.

Installations available

