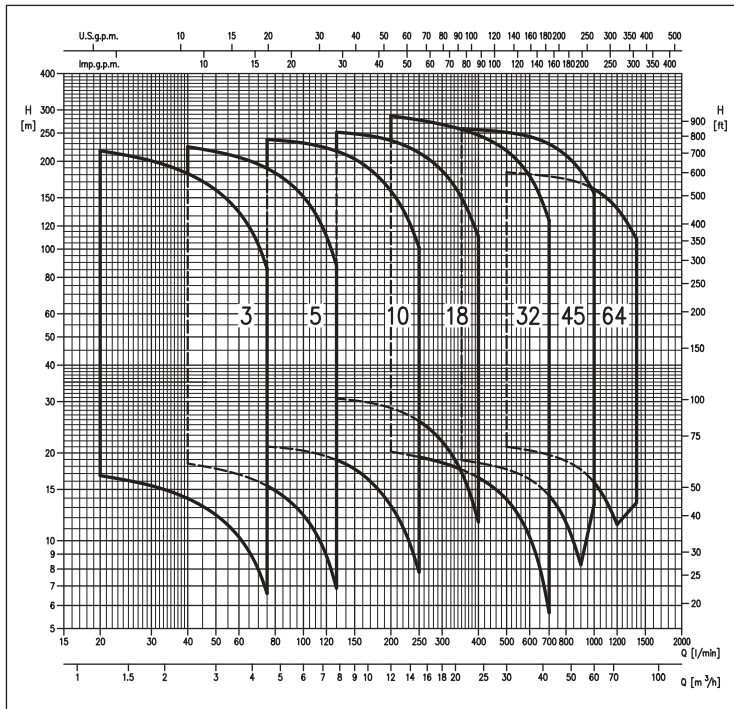


## VERTICAL MULTISTAGE ELECTRIC PUMPS

in cast iron, AISI 304, AISI 316



### PERFORMANCE RANGE at 2900 min<sup>-1</sup> (according to ISO 9906 Attachment A)



Vertical multistage centrifugal electric pumps available in various versions: cast iron (EVMG), AISI 304 stainless steel (EVM), AISI 316 stainless steel (EVML).

### APPLICATIONS

- Civil, industrial, agricultural and fire-fighting pressure boosting systems
- Primary water treatment plants, reverse osmosis, seepage, etc.
- Moving moderately aggressive fluids
- Boiler loading
- Washing, heating systems and air-conditioning

### TECHNICAL DETAILS

- Reliable, strong, silent and easy to service
- The EVM pumps can be coupled with standard EIC motors
- They offer state-of-the-art technical solutions
- The EVM vertical multistage pumps (hydraulic parts) are in compliance with the 94/9/CE Directive on ATEX products (they belong to Group II, Category 2)
- Oval counter-flanges, "N" version, already included
- Round counter-flanges, "F" version, as accessories

### TECHNICAL DATA

- Maximum working pressure: 16 bar, 25 bar, 30 bar for EVM32 - EVM45 only
- Temperature of the liquid: from -15°C to +120°C; from -15°C to +85°C (for EVMW)
- Self-ventilated 2 pole asynchronous motor
- Class of insulation F
- IP55 Protection rating
- Single phase voltage 230V ± 10% 50Hz (up to 2.2 kW), three phase voltage 230/400V ±10% 50Hz (up to 4 kW included), three phase voltage 400/690V ±10% (5.5 kW and above)

### MATERIALS

- Lower pump body, external casing, disco seal housing disc, impellers, nozzles, shaft casing, joint cover and small elements in contact with the liquid in AISI 304 (EVM), AISI 316 (EVML) ["EVMG" version: body in cast iron and hydraulic parts in AISI 304]
- Tie-rods and small elements not in contact with the liquid in galvanised steel
- Shaft in AISI 316
- Bearings in contact with the liquid in tungsten carbide
- Motor support and base in cast iron
- Mechanical seal in SiC/Carbon/FPM (models 3-5-10-18)
- Mechanical seal with cartridge as per standard in SiC/Carbon/FPM (models 32-45-64)
- (F= round counter-flanges; N= oval counter-flanges)

### SPECIAL VERSIONS

- Version with WRAS approval (EVMW 3-5-10-18)
- ATEX version for complete electric pump
- Also available with efficiency 1 motor

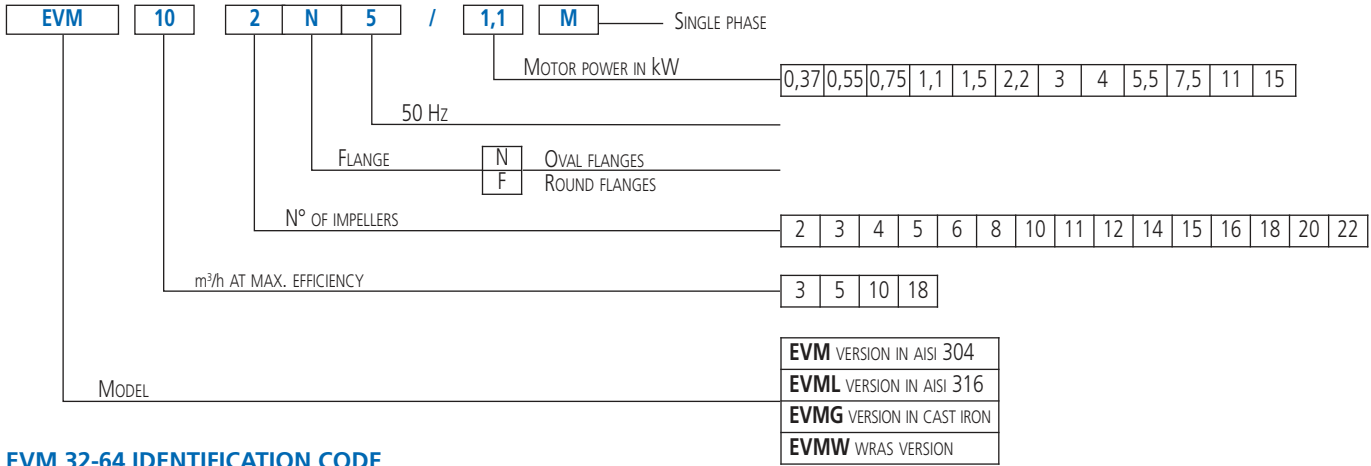
### ACCESSORIES (on request)

- Round counter-flanges for "F" version available in:
  - galvanised/EPDM
  - AISI 304/EPDM
  - AISI 316/Viton

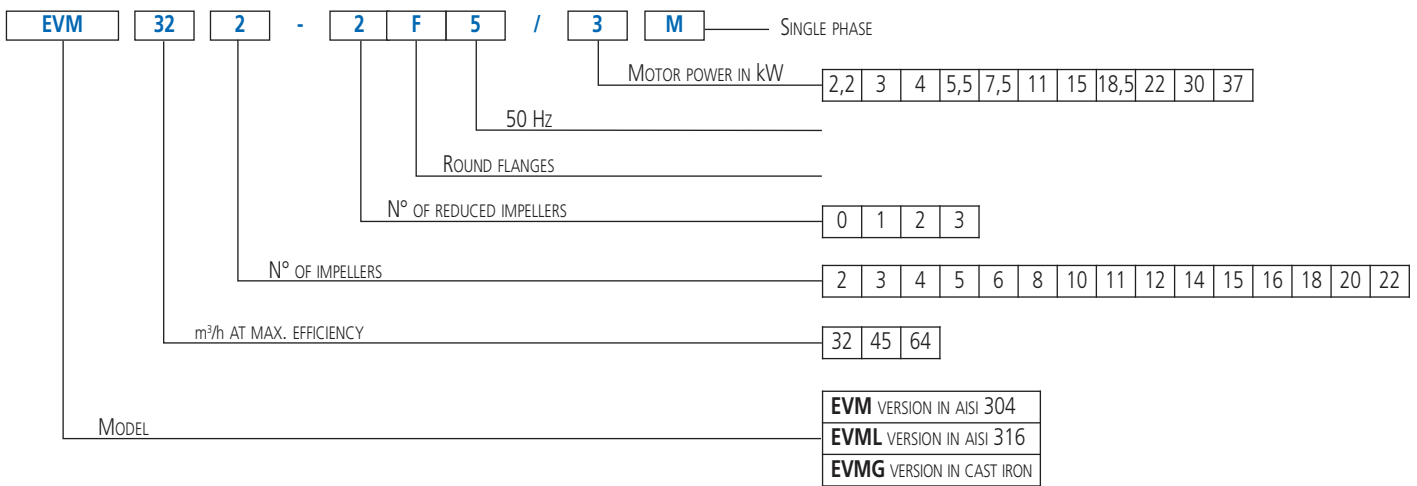
## VERTICAL MULTISTAGE ELECTRIC PUMPS

in cast iron, AISI 304, AISI 316

### EVM 3-18 IDENTIFICATION CODE



### EVM 32-64 IDENTIFICATION CODE



### MECHANICAL SEAL WITH CARTRIDGE

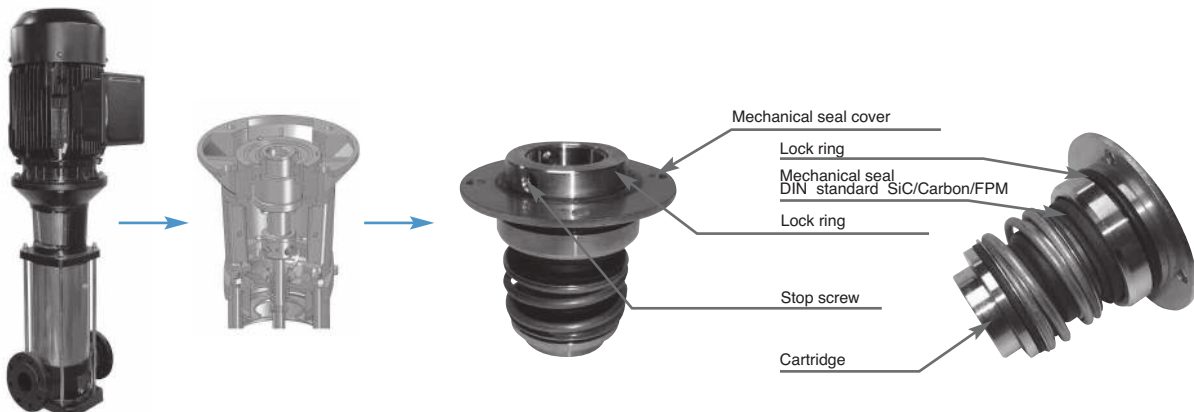
The EVM 32-45-64 pumps house the mechanical seal with cartridge as per standard.

All of the components of the mechanical seal constitute just one part on one shaft sleeve. The mechanical seal is ready to be installed between the pump shaft and the motor shaft.

The benefits of this type of seal are:

- Easy to install
- Safety and easy to use

We are at your disposal to evaluate all demands and requirements in order to find the best solution for your plants and applications.



## VERTICAL MULTISTAGE ELECTRIC PUMPS

in cast iron, AISI 304, AISI 316

**EVM 32-45 PERFORMANCE TABLE**

Model	P <sub>2</sub>		Mec Motor	Max. working pressure [MPa]	Q=Flow rate						Weight [kg]			
	[HP]	[kW]			l/min	200	350	500	600	700	900	1000	Pump	Pump + motor
					m <sup>3</sup> /h	12	21	30	36	42	54	60		
					H=Head [m]									
EVM 32 1-0F5/2.2	3	2,2	90L	1,6	20,2	17,5	13,9	10,3	5,7	-	-	56,0	72,0	
EVM 32 2-2F5/3.0	4	3	100	1,6	34,6	29,7	21,2	14,2	-	-	-	58,0	77,0	
EVM 32 2-0F5/4.0	5,5	4	112	1,6	40,5	36,0	29,5	23,2	14,9	-	-	58,0	85,0	
EVM 32 3-3F5/5.5	7,5	5,5	132S	1,6	52,0	45,0	32,8	22,7	-	-	-	74,0	106,0	
EVM 32 3-0F5/5.5	7,5	5,5	132S	1,6	61,0	54,5	45,0	36,1	24,1	-	-	74,0	106,0	
EVM 32 4-3F5/7.5	10	7,5	132S	1,6	72,5	63,5	48,5	35,6	-	-	-	77,0	115,0	
EVM 32 4-0F5/7.5	10	7,5	132S	1,6	81,5	73,0	61,0	49,0	33,3	-	-	77,0	115,0	
EVM 32 5-3F5/11	15	11	160M	1,6	93,0	82,0	64,0	48,5	30,5	-	-	96,0	153,0	
EVM 32 5-0F5/11	15	11	160M	1,6	102,0	91,5	76,5	62,0	42,5	-	-	96,0	153,0	
EVM 32 6-3F5/11	15	11	160M	1,6	114,0	100,0	79,5	61,5	39,7	-	-	99,0	156,0	
EVM 32 6-0F5/11	15	11	160M	1,6	123,0	110,0	92,0	75,0	51,5	-	-	99,0	156,0	
EVM 32 7-3F5/15	20	15	160M	1,6	134,0	119,0	95,5	74,5	49,0	-	-	102,0	195,0	
EVM 32 7-0F5/15	20	15	160M	1,6	143,0	128,0	108,0	87,5	61,0	-	-	102,0	195,0	
EVM 32 8-3F5/15	20	15	160M	2,5	155,0	137,0	111,0	87,0	58,0	-	-	105,0	198,0	
EVM 32 8-0F5/15	20	15	160M	2,5	164,0	147,0	123,0	101,0	70,0	-	-	105,0	198,0	
EVM 32 9-3F5/18.5	25	18,5	160L	2,5	175,0	156,0	127,0	100,0	67,5	-	-	108,0	209,0	
EVM 32 9-0F5/18.5	25	18,5	160L	2,5	184,0	165,0	139,0	114,0	79,5	-	-	108,0	209,0	
EVM 32 10-3F5/18.5	25	18,5	160L	2,5	196,0	174,0	142,0	113,0	76,5	-	-	112,0	213,0	
EVM 32 10-1F5/18.5	25	18,5	160L	2,5	202,0	180,0	151,0	122,0	84,5	-	-	112,0	213,0	
EVM 32 11-3F5/22	30	22	180	2,5	216,0	193,0	158,0	126,0	85,5	-	-	116,0	246,0	
EVM 32 11-0F5/22	30	22	180	2,5	225,0	202,0	170,0	139,0	97,5	-	-	116,0	246,0	
EVM 32 12-3F5/22	30	22	180	2,5	237,0	211,0	174,0	139,0	95,0	-	-	119,0	249,0	
EVM 32 12-1F5/22	30	22	180	3,0	243,0	217,0	182,0	148,0	103,0	-	-	119,0	249,0	
EVM 32 13-3F5/30	40	30	200	3,0	257,0	229,0	189,0	152,0	104,0	-	-	129,0	301,0	
EVM 32 13-0F5/30	40	30	200	3,0	266,0	239,0	202,0	165,0	116,0	-	-	129,0	301,0	
EVM 32 14-3F5/30	40	30	200	3,0	278,0	248,0	205,0	165,0	113,0	-	-	133,0	305,0	
EVM 32 14-0F5/30	40	30	200	3,0	287,0	257,0	217,0	178,0	125,0	-	-	133,0	305,0	
EVM 45 1-1F5/3.0	4	3	100	1,6	-	18,9	17,6	16,3	14,3	8,3	-	71,0	90,0	
EVM 45 1-0F5/4.0	5,5	4	112	1,6	-	25,6	24,6	23,5	21,8	16,7	13,3	73,0	100,0	
EVM 45 2-2F5/5.5	7,5	5,5	132S	1,6	-	38,1	35,8	33,4	29,8	18,6	-	81,0	113,0	
EVM 45 2-0F5/7.5	10	7,5	132S	1,6	-	51,5	50,0	48,0	45,0	35,4	29,1	81,0	119,0	
EVM 45 3-2F5/11	15	11	160M	1,6	-	64,0	61,0	58,0	53,0	37,3	-	99,0	156,0	
EVM 45 3-0F5/11	15	11	160M	1,6	-	77,5	75,0	72,5	68,0	54,0	45,0	99,0	156,0	
EVM 45 4-2F5/15	20	15	160M	1,6	-	90,0	86,0	82,0	76,0	56,0	43,0	108,0	189,0	
EVM 45 4-0F5/15	20	15	160M	1,6	-	103,0	100,0	96,5	91,0	73,0	60,5	108,0	189,0	
EVM 45 5-2F5/18.5	25	18,5	160L	1,6	-	116,0	111,0	107,0	99,0	74,5	58,5	128,0	229,0	
EVM 45 5-0F5/18.5	25	18,5	160L	1,6	-	129,0	125,0	121,0	114,0	91,5	76,5	128,0	229,0	
EVM 45 6-2F5/22	30	22	180	1,6	-	142,0	137,0	131,0	122,0	93,5	74,5	133,0	263,0	
EVM 45 6-0F5/22	30	22	180	1,6	-	155,0	151,0	146,0	137,0	110,0	92,5	133,0	263,0	
EVM 45 7-2F5/30	40	30	200	2,5	-	168,0	162,0	155,0	145,0	112,0	90,5	139,0	311,0	
EVM 45 7-0F5/30	40	30	200	2,5	-	181,0	176,0	170,0	160,0	129,0	108,0	139,0	311,0	
EVM 45 8-2F5/30	40	30	200	2,5	-	194,0	187,0	180,0	168,0	131,0	106,0	146,0	318,0	
EVM 45 8-0F5/30	40	30	200	2,5	-	207,0	201,0	194,0	183,0	148,0	124,0	146,0	318,0	
EVM 45 9-2F5/30	40	30	200	2,5	-	219,0	212,0	204,0	191,0	150,0	122,0	151,0	323,0	
EVM 45 9-0F5/37	50	37	200	2,5	-	233,0	226,0	219,0	206,0	166,0	140,0	151,0	341,0	
EVM 45 10-2F5/37	50	37	200	3,0	-	245,0	237,0	229,0	214,0	168,0	138,0	156,0	346,0	
EVM 45 10-0F5/37	50	37	200	3,0	-	259,0	251,0	243,0	229,0	185,0	156,0	156,0	346,0	

1,6 MPa= 16 bar  
2,5 MPa= 25 bar  
3,0 MPa= 30 bar

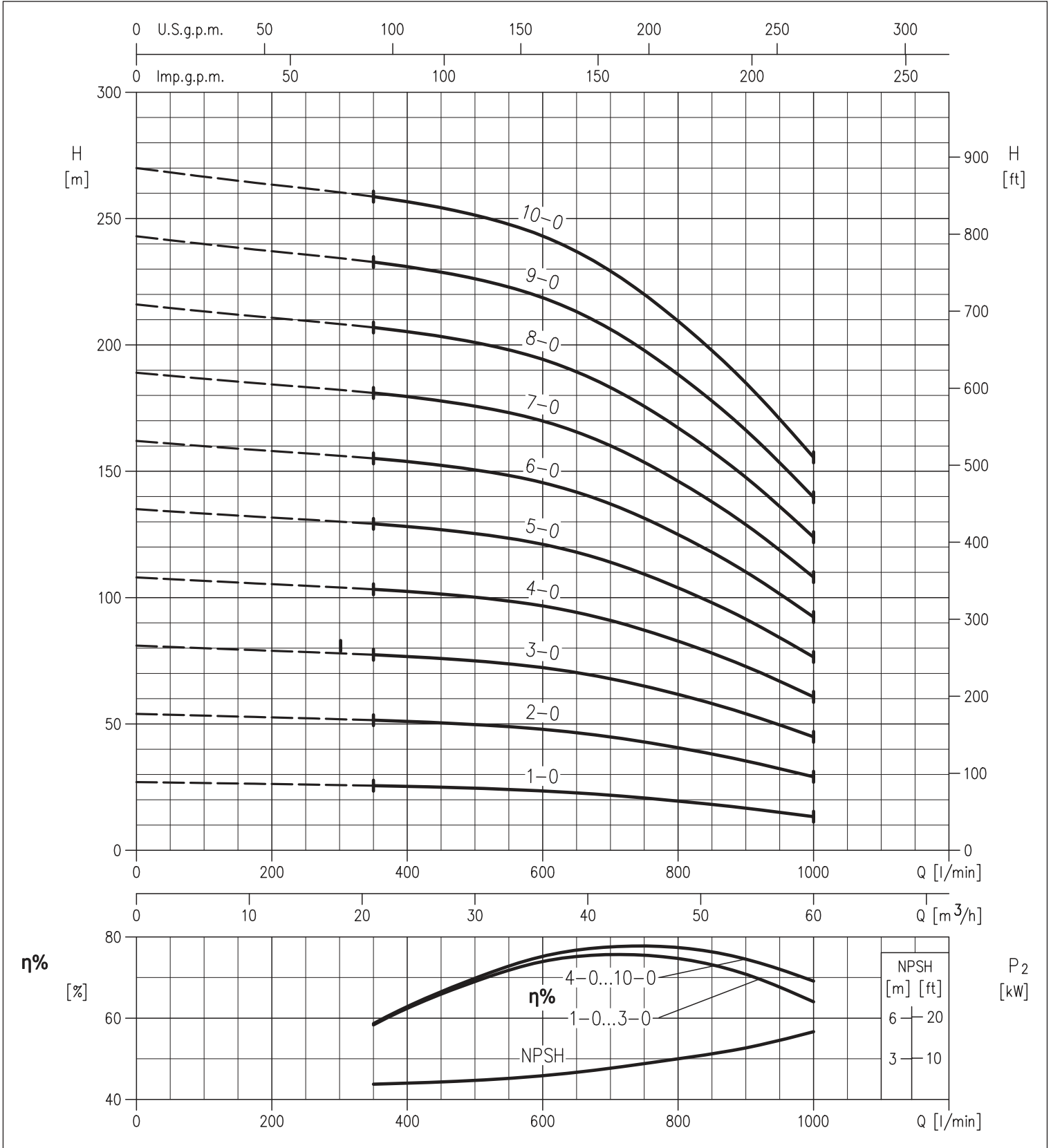


# EVM

## VERTICAL MULTISTAGE ELECTRIC PUMPS

in cast iron, AISI 304, AISI 316

**EVM 45 RANGE PERFORMANCE CURVE** (according to ISO 9906 Attachment A)



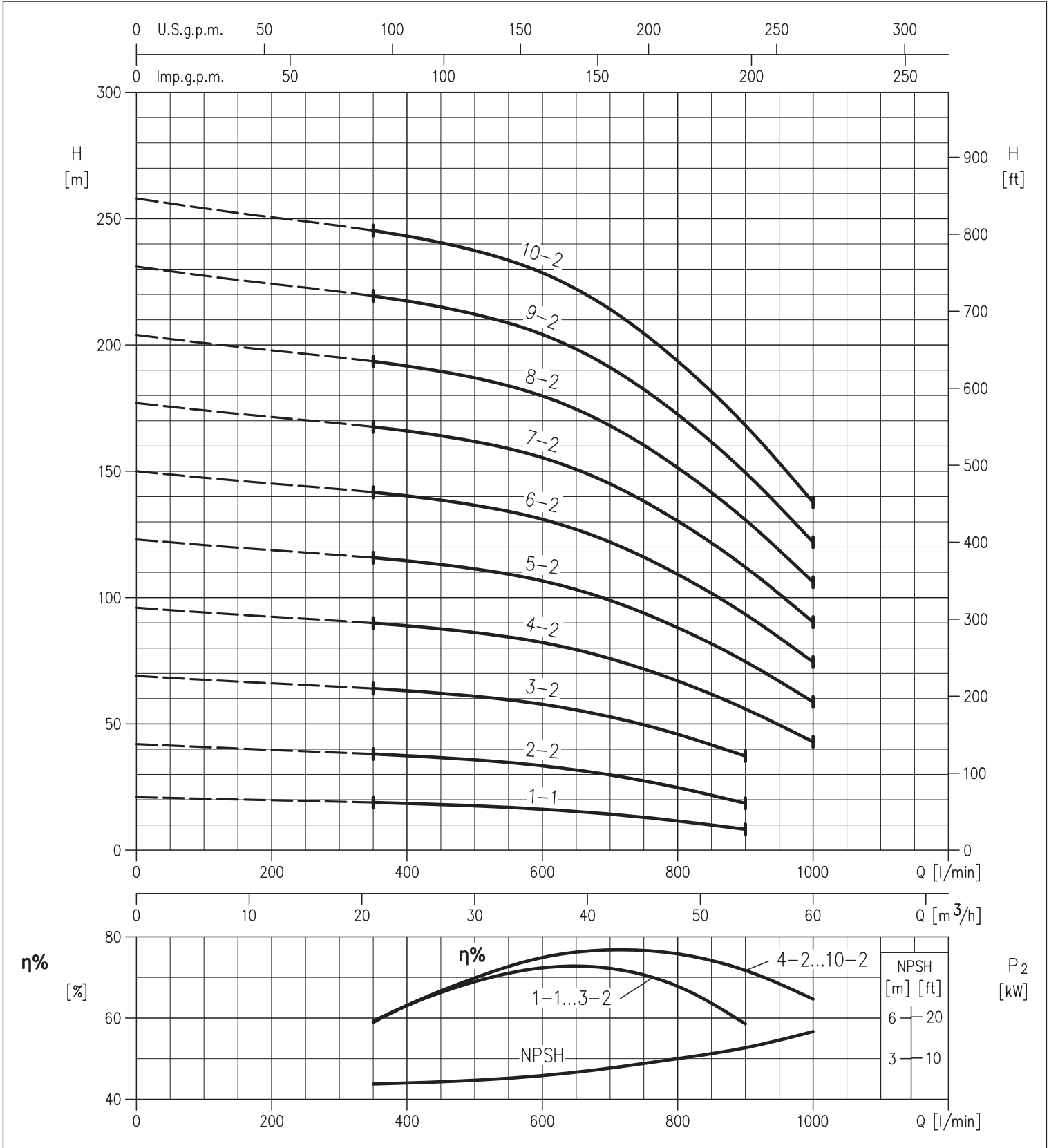


# EVM

## VERTICAL MULTISTAGE ELECTRIC PUMPS

in cast iron, AISI 304, AISI 316

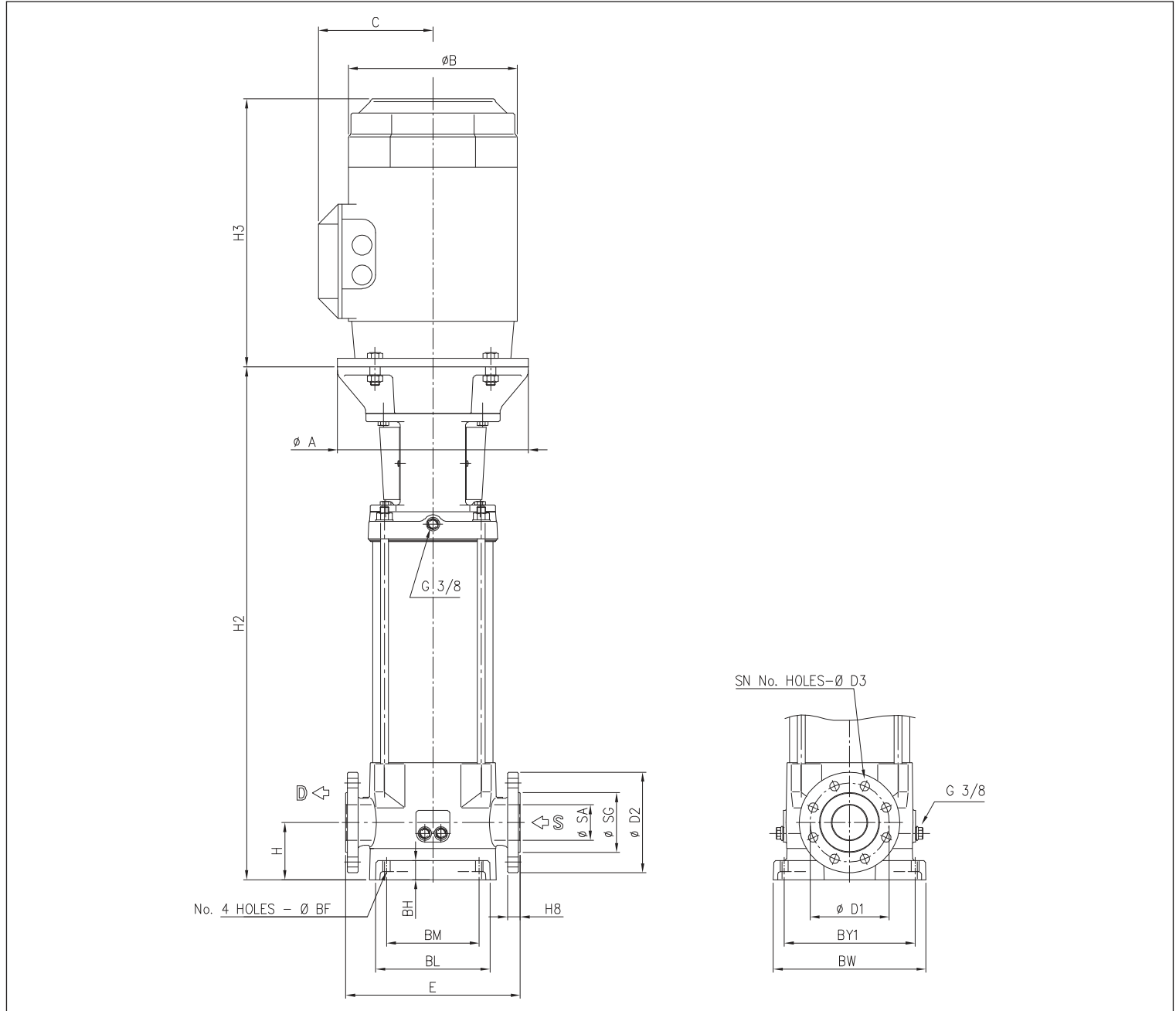
**EVM 45 RANGE PERFORMANCE CURVE** (according to ISO 9906 Attachment A)



## VERTICAL MULTISTAGE ELECTRIC PUMPS

in cast iron, AISI 304, AISI 316

### EVM 32-45-64 DIMENSIONS



### DIMENSIONS TABLE

Model	Mot. Mec	P. max. [MPa]	Dimensions [mm]																			
			H	H2	H3 [1]	E	B [1]	C [1]	BM	BL	BY1	BW	SA	SG	D1	D2	H8	SN	D3	BF	BH	A
EVM 32 1-0F5/2.2	90L	1,6	105	493	267	320	180	138	170	210	240	280	DN65	ø110	ø145	ø185	23	4	ø18	ø14	35	140
EVM 32 2-2F5/3.0	100	1,6	105	503	306	320	196	145	170	210	240	280	DN65	ø110	ø145	ø185	23	4	ø18	ø14	35	160
EVM 32 2-0F5/4.0	112	1,6	105	503	306	320	196	145	170	210	240	280	DN65	ø110	ø145	ø185	23	4	ø18	ø14	35	160
EVM 32 3-3F5/5.5	132	1,6	105	572	328	320	220	161	170	210	240	280	DN65	ø110	ø145	ø185	23	4	ø18	ø14	35	300
EVM 32 3-0F5/5.5	132	1,6	105	572	328	320	220	161	170	210	240	280	DN65	ø110	ø145	ø185	23	4	ø18	ø14	35	300
EVM 32 4-3F5/7.5	132	1,6	105	620	328	320	220	161	170	210	240	280	DN65	ø110	ø145	ø185	23	4	ø18	ø14	35	300
EVM 32 4-0F5/7.5	132	1,6	105	620	328	320	220	161	170	210	240	280	DN65	ø110	ø145	ø185	23	4	ø18	ø14	35	300
EVM 32 5-3F5/11	160M	1,6	105	799	403	320	248	195	170	210	240	280	DN65	ø110	ø145	ø185	23	4	ø18	ø14	35	350
EVM 32 5-0F5/11	160M	1,6	105	799	403	320	248	195	170	210	240	280	DN65	ø110	ø145	ø185	23	4	ø18	ø14	35	350

## VERTICAL MULTISTAGE ELECTRIC PUMPS

in cast iron, AISI 304, AISI 316

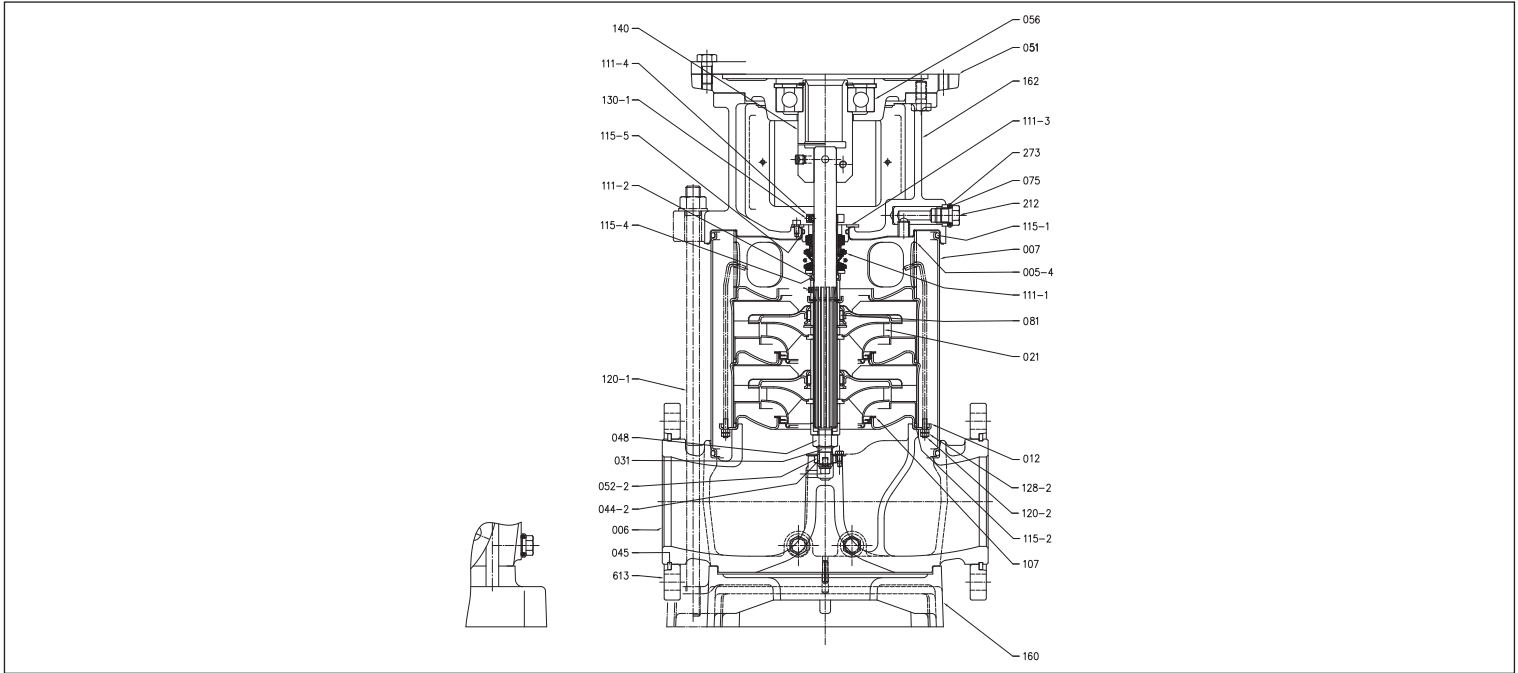
### DIMENSIONS TABLE

Model	Mec Mot.	P. max. [MPa]	Dimensions [mm]																			
			H	H2	H3 [1]	E	B [1]	C [1]	BM	BL	BY1	BW	SA	SG	D1	D2	H8	SN	D3	BF	BH	A
EVM 32 6-3F5/11	160M	1,6	105	847	403	320	248	195	170	210	240	280	DN65	Ø110	Ø145	Ø185	23	4	Ø18	Ø14	35	350
EVM 32 6-0F5/11	160M	1,6	105	847	403	320	248	195	170	210	240	280	DN65	Ø110	Ø145	Ø185	23	4	Ø18	Ø14	35	350
EVM 32 7-3F5/15	160M	1,6	105	895	503	320	335	246	170	210	240	280	DN65	Ø110	Ø145	Ø185	23	4	Ø18	Ø14	35	350
EVM 32 7-0F5/15	160M	1,6	105	895	503	320	335	246	170	210	240	280	DN65	Ø110	Ø145	Ø185	23	4	Ø18	Ø14	35	350
EVM 32 8-3F5/15	160M	2,5	105	943	503	320	335	246	170	210	240	280	DN65	Ø110	Ø145	Ø185	23	8	Ø18	Ø14	35	350
EVM 32 8-0F5/15	160M	2,5	105	943	503	320	335	246	170	210	240	280	DN65	Ø110	Ø145	Ø185	23	8	Ø18	Ø14	35	350
EVM 32 9-3F5/18.5	160L	2,5	105	991	547	320	335	246	170	210	240	280	DN65	Ø110	Ø145	Ø185	23	8	Ø18	Ø14	35	350
EVM 32 9-0F5/18.5	160L	2,5	105	991	547	320	335	246	170	210	240	280	DN65	Ø110	Ø145	Ø185	23	8	Ø18	Ø14	35	350
EVM 32 10-3F5/18.5	160L	2,5	105	1039	547	320	335	246	170	210	240	280	DN65	Ø110	Ø145	Ø185	23	8	Ø18	Ø14	35	350
EVM 32 10-1F5/18.5	160L	2,5	105	1039	547	320	335	246	170	210	240	280	DN65	Ø110	Ø145	Ø185	23	8	Ø18	Ø14	35	350
EVM 32 11-3F5/22	180	2,5	105	1087	602	320	366	266	170	210	240	280	DN65	Ø110	Ø145	Ø185	23	8	Ø18	Ø14	35	350
EVM 32 11-0F5/22	180	2,5	105	1087	602	320	366	266	170	210	240	280	DN65	Ø110	Ø145	Ø185	23	8	Ø18	Ø14	35	350
EVM 32 12-3F5/22	180	2,5	105	1135	602	320	366	266	170	210	240	280	DN65	Ø110	Ø145	Ø185	23	8	Ø18	Ø14	35	350
EVM 32 12-1F5/22	180	3,0	105	1135	602	320	366	266	170	210	240	280	DN65	Ø110	Ø145	Ø185	23	8	Ø18	Ø14	35	350
EVM 32 13-3F5/30	200	3,0	105	1198	669	320	405	341	170	210	240	280	DN65	Ø110	Ø145	Ø185	23	8	Ø18	Ø14	35	400
EVM 32 13-0F5/30	200	3,0	105	1198	669	320	405	341	170	210	240	280	DN65	Ø110	Ø145	Ø185	23	8	Ø18	Ø14	35	400
EVM 32 14-3F5/30	200	3,0	105	1246	669	320	405	341	170	210	240	280	DN65	Ø110	Ø145	Ø185	23	8	Ø18	Ø14	35	400
EVM 32 14-0F5/30	200	3,0	105	1246	669	320	405	341	170	210	240	280	DN65	Ø110	Ø145	Ø185	23	8	Ø18	Ø14	35	400
EVM 45 1-1F5/3.0	100	1,6	140	525	306	365	196	145	190	251	266	331	DN80	Ø120	Ø160	Ø200	20	8	Ø18	Ø14	45	160
EVM 45 1-0F5/4.0	112	1,6	140	525	306	365	196	145	190	251	266	331	DN80	Ø120	Ø160	Ø200	20	8	Ø18	Ø14	45	160
EVM 45 2-2F5/5.5	132	1,6	140	618	328	365	220	161	190	251	266	331	DN80	Ø120	Ø160	Ø200	20	8	Ø18	Ø14	45	300
EVM 45 2-0F5/7.5	132	1,6	140	618	328	365	220	161	190	251	266	331	DN80	Ø120	Ø160	Ø200	20	8	Ø18	Ø14	45	300
EVM 45 3-2F5/11	160M	1,6	140	821	403	365	248	195	190	251	266	331	DN80	Ø120	Ø160	Ø200	20	8	Ø18	Ø14	45	350
EVM 45 3-0F5/11	160M	1,6	140	821	403	365	248	195	190	251	266	331	DN80	Ø120	Ø160	Ø200	20	8	Ø18	Ø14	45	350
EVM 45 4-2F5/15	160M	2,5	140	893	503	365	335	246	190	251	266	331	DN80	Ø120	Ø160	Ø200	20	8	Ø18	Ø14	45	350
EVM 45 4-0F5/15	160M	2,5	140	893	503	365	335	246	190	251	266	331	DN80	Ø120	Ø160	Ø200	20	8	Ø18	Ø14	45	350
EVM 45 5-2F5/18.5	160L	2,5	140	965	547	365	335	246	190	251	266	331	DN80	Ø120	Ø160	Ø200	20	8	Ø18	Ø14	45	350
EVM 45 5-0F5/18.5	160L	2,5	140	965	547	365	335	246	190	251	266	331	DN80	Ø120	Ø160	Ø200	20	8	Ø18	Ø14	45	350
EVM 45 6-2F5/22	180	2,5	140	1037	602	365	366	266	190	251	266	331	DN80	Ø120	Ø160	Ø200	20	8	Ø18	Ø14	45	350
EVM 45 6-0F5/22	180	2,5	140	1037	602	365	366	266	190	251	266	331	DN80	Ø120	Ø160	Ø200	20	8	Ø18	Ø14	45	350
EVM 45 7-3F5/30	200	2,5	140	1124	669	365	405	341	190	251	266	331	DN80	Ø120	Ø160	Ø200	20	8	Ø18	Ø14	45	400
EVM 45 7-0F5/30	200	2,5	140	1124	669	365	405	341	190	251	266	331	DN80	Ø120	Ø160	Ø200	20	8	Ø18	Ø14	45	400
EVM 45 8-2F5/30	200	2,5	140	1196	669	365	405	341	190	251	266	331	DN80	Ø120	Ø160	Ø200	20	8	Ø18	Ø14	45	400
EVM 45 8-0F5/30	200	2,5	140	1196	669	365	405	341	190	251	266	331	DN80	Ø120	Ø160	Ø200	20	8	Ø18	Ø14	45	400
EVM 45 9-2F5/3.0	200	2,5	140	1269	669	365	405	341	190	251	266	331	DN80	Ø120	Ø160	Ø200	20	8	Ø18	Ø14	45	400
EVM 45 9-0F5/3.0	200	2,5	140	1269	669	365	405	341	190	251	266	331	DN80	Ø120	Ø160	Ø200	20	8	Ø18	Ø14	45	400
EVM 45 10-2F5/37	200	3,0	140	1341	669	365	405	341	190	251	266	331	DN80	Ø120	Ø160	Ø200	20	8	Ø18	Ø14	45	400
EVM 45 10-0F5/37	200	3,0	140	1341	669	365	405	341	190	251	266	331	DN80	Ø120	Ø160	Ø200	20	8	Ø18	Ø14	45	400
EVM 64 1-1F5/4.0	100	1,6	140	525	306	365	196	145	190	251	266	331	DN100	Ø140	Ø180	Ø220	20	8	Ø18	Ø14	45	160
EVM 64 1-0F5/5.5	132	1,6	140	546	328	365	220	161	190	251	266	331	DN100	Ø140	Ø180	Ø220	20	8	Ø18	Ø14	45	300
EVM 64 2-2F5/7.5	132	1,6	140	618	328	365	220	161	190	251	266	331	DN100	Ø140	Ø180	Ø220	20	8	Ø18	Ø14	45	300
EVM 64 2-1F5/11	160M	1,6	140	749	403	365	248	195	190	251	266	331	DN100	Ø140	Ø180	Ø220	20	8	Ø18	Ø14	45	350
EVM 64 2-0F5/11	160M	1,6	140	749	403	365	248	195	190	251	266	331	DN100	Ø140	Ø180	Ø220	20	8	Ø18	Ø14	45	350
EVM 64 3-3F5/15	160M	1,6	140	821	503	365	335	246	190	251	266	331	DN100	Ø140	Ø180	Ø220	20	8	Ø18	Ø14	45	350
EVM 64 3-2F5/15	160M	1,6	140	821	503	365	335	246	190	251	266	331	DN100	Ø140	Ø180	Ø220	20	8	Ø18	Ø14	45	350
EVM 64 3-1F5/15	160M	1,6	140	821	503	365	335	246	190	251	266	331	DN100	Ø140	Ø180	Ø220	20	8	Ø18	Ø14	45	350
EVM 64 3-0F5/18.5	160L	1,6	140	821	547	365	335	246	190	251	266	331	DN100	Ø140	Ø180	Ø220	20	8	Ø18	Ø14	45	350
EVM 64 4-3F5/18.5	160L	1,6	140	893	547	365	335	246	190	251	266	331	DN100	Ø140	Ø180	Ø220	20	8	Ø18	Ø14	45	350
EVM 64 4-2F5/18.5	160L	1,6	140	893	547	365	335	246	190	251	266	331	DN100	Ø140	Ø180	Ø220	20	8	Ø18	Ø14	45	350
EVM 64 4-1F5/22	180	1,6	140	893	602	365	366	266	190	251	266	331	DN100	Ø140	Ø180	Ø220	20	8	Ø18	Ø14	45	350
EVM 64 4-0F5/22	180	1,6	140	893	602	365	366	266	190	251	266	331	DN100	Ø140	Ø180	Ø220	20	8	Ø18	Ø14	45	350
EVM 64 5-3F5/30	200	1,6	140	980	669	365	405	341	190	251	266	331	DN100	Ø140	Ø180	Ø220	20	8	Ø18	Ø14	45	400
EVM 64 5-2F5/30	200	1,6	140	980	669	365	405	341	190	251	266	331	DN100	Ø140	Ø180	Ø220	20	8	Ø18	Ø14	45	400
EVM 64 5-1F5/30	200	1,6	140	980	669	365	405	341	190	251	266	331	DN100	Ø140	Ø180	Ø220	20	8	Ø18	Ø14	45	400
EVM 64 5-0F5/30	200	1,6	140	980	669	365	405	341	190	251	266	331	DN100	Ø140	Ø180	Ø220	20	8	Ø18	Ø14	45	400
EVM 64 6-2F5/30	200	2,5	140	1052	669	365	405	341	190	251	266	331	DN100	Ø140	Ø190	Ø235	26	8	Ø22	Ø14	45	400
EVM 64 6-1F5/37	200	2,5	140	1052	669	365	405	341	190	251	266	331	DN100	Ø140	Ø190	Ø235	26	8	Ø22	Ø14	45	400
EVM 64 6-0F5/37	200	2,5	140	1052	669	365	405	341	190	251	266	331	DN100	Ø140	Ø190	Ø235	26	8	Ø22	Ø14	45	400
EVM 64 7-3F5/37	200	2,5	140	1124	669	365	405	341	190	251	266	331	DN100	Ø140	Ø190	Ø235	26	8	Ø22	Ø14	45	400
EVM 64 7-2F5/37	200	2,5	140	1124	669	365	405	34														

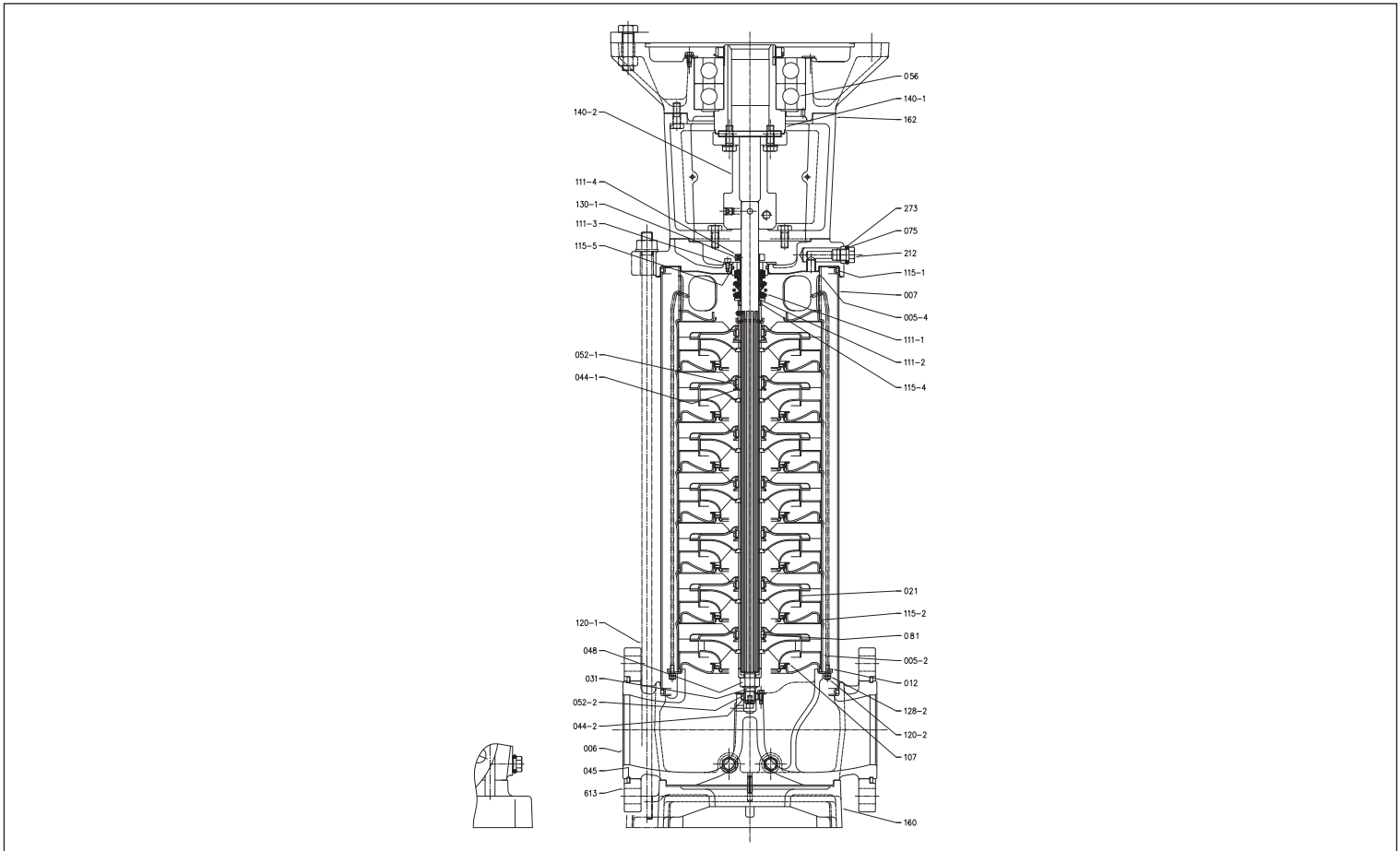
## VERTICAL MULTISTAGE ELECTRIC PUMPS

in cast iron, AISI 304, AISI 316

**EVM 45-64 SECTIONAL VIEW** Pump without bearings



**EVM 45-64 SECTIONAL VIEW** Pump with individual bearing





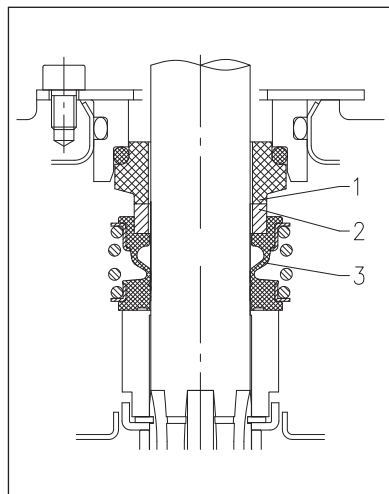
## VERTICAL MULTISTAGE ELECTRIC PUMPS

in cast iron, AISI 304, AISI 316

### EVM 45-64 MATERIAL TABLE

Ref.	Name	Material		
		EVMG	EVM	EVM L
005-4	Final stage	EN 1.4301(AISI 304)		EN 1.4401 (AISI 316)
006	Pump body	Cast iron EN-GJL-200-EN 1561	EN 1.4301(AISI 304)	EN 1.4401 (AISI 316)
007	External casing	EN 1.4301(AISI 304)		EN 1.4401 (AISI 316)
012	Suction cover	EN 1.4301(AISI 304)		EN 1.4401 (AISI 316)
021	Impeller	EN 1.4301(AISI 304)		EN 1.4401 (AISI 316)
031	Shaft	EN 1.4401 (AISI 316)		
044-1	Bearing	Tungsten carbide		
044-2	Bearing	Tungsten carbide		
045	Flange half-ring	EN 1.402 (AISI 420)		
048	Impeller nut	A2-70 UNI 7323 (with stainless steel insert)		A4-70 UNI 7323 (with stainless steel insert)
051	Motor adapter	Cast iron EN-GJL-200-EN 1561		
052-2	Bearing	Tungsten carbide		
056	Bearing	-		
075	O-Ring	EPDM		FPM
081	Bush	PTFE		
107	Wear ring	PTFE/EN 1.4401 (AISI 316)		
111-1	Mechanical seal	SiC/Carbon/FPM		
111-2	Mechanical seal (cartridge)	EN 1.4301(AISI 304)		EN 1.4401 (AISI 316)
111-3	Seal seat	EN 1.4301(AISI 304)		EN 1.4401 (AISI 316)
111-4	Sealing ring	Brass OT 58 UNI 5705		EN 1.4401 (AISI 316)
115-1	O-Ring (external casing)	EPDM		FPM
115-2	O-Ring (stage)	EPDM		FPM
115-4	O-Ring (seal-holder flange)	EPDM		FPM
115-5	O-Ring (seal cover)	EPDM		FPM
120-1	Joint screw	Galvanised steel 6.8 class ISO 898/1		
120-2	Tie-rod	EN 1.4301(AISI 304)		EN 1.4401 (AISI 316)
128-2	Screw	Carbon		EN 1.4401 (AISI 316)
130-1	Screw	A2-70 UNI 7323		
140	Joint	Brass OT 58 UNI 5705		
140-1	Motor joint	Carbon		
140-2	Joint	Carbon		
160	Pump body base	Cast iron EN-GJL-200-EN 1561		
162	Motor support	Cast iron EN-GJL-200-EN 1561		
212	Cap	EN 1.4301(AISI 304)		EN 1.4401 (AISI 316)
273	Washer	EN 1.4301(AISI 304)		EN 1.4401 (AISI 316)
613	Flange	Carbon		

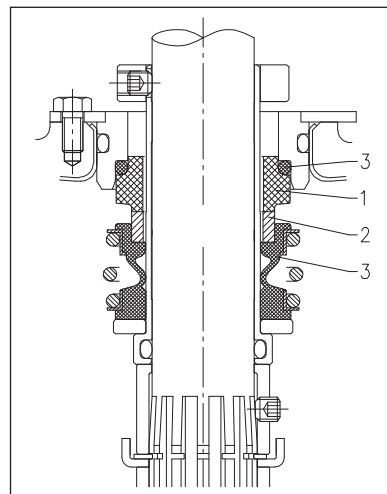
### EVM 3-18 MECHANICAL SEAL



#### MATERIALS TABLE

Ref.	Name	Material
1	Fixed part	Carbon
2	Rotating part	SiC
3	Gasket	FPM (EPDM WRAS approved for EVMW)

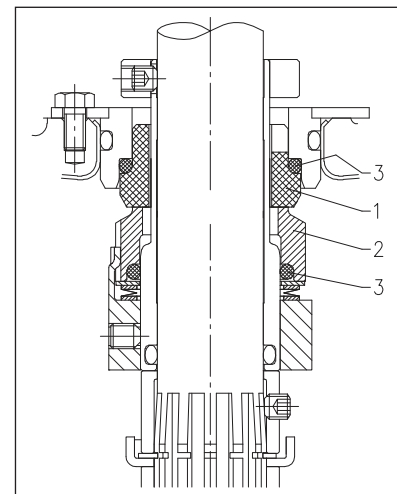
### EVM 32-64 MECHANICAL SEAL WITH CARTRIDGE up to 2.5 MPA



#### MATERIALS TABLE

Ref.	Name	Material
1	Fixed part	Carbon
2	Rotating part	SiC
3	Gasket	FPM

### EVM 32-64 MECHANICAL SEAL SEAL WITH CARTRIDGE from 2.5 to 3.0 MPA



#### MATERIALS TABLE

Ref.	Name	Material
1	Fixed part	Carbon
2	Rotating part	SiC
3	Gasket	FPM

## VERTICAL MULTISTAGE ELECTRIC PUMPS

in cast iron, AISI 304, AISI 316

**EVM 32-45 ELECTRIC DATA TABLE**

Model	P <sub>2</sub>		Mec Motor	Efficiency and power factor		Absorbed Current [A]		
	[HP]	[kW]		Three phase		230V	Three phase	
				η %	cos φ		400V	690V
EVM 32 1-0F5/2.2	3	2,2	90L	81,8	0,81	8,5	4,9	-
EVM 32 2-2F5/3.0	4	3	100	82,6	0,85	11,3	6,5	-
EVM 32 2-0F5/4.0	5,5	4	112	85,0	0,84	14,7	8,5	-
EVM 32 3-3F5/5.5	7,5	5,5	132S	85,7	0,86	-	10,8	6,2
EVM 32 3-0F5/5.5	7,5	5,5	132S	85,7	0,86	-	10,8	6,2
EVM 32 4-3F5/7.5	10	7,5	132S	87,0	0,89	-	14,1	8,1
EVM 32 4-0F5/7.5	10	7,5	132S	87,0	0,89	-	14,1	8,1
EVM 32 5-3F5/11	15	11	160M	88,7	0,84	-	21,5	12,4
EVM 32 5-0F5/11	15	11	160M	88,7	0,84	-	21,5	12,4
EVM 32 6-3F5/11	15	11	160M	88,7	0,84	-	21,5	12,4
EVM 32 6-0F5/11	15	11	160M	88,7	0,84	-	21,5	12,4
EVM 32 7-3F5/15	20	15	160M	89,7	0,85	-	28,5	16,5
EVM 32 7-0F5/15	20	15	160M	89,7	0,85	-	28,5	16,5
EVM 32 8-3F5/15	20	15	160M	89,7	0,85	-	28,5	16,5
EVM 32 8-0F5/15	20	15	160M	89,7	0,85	-	28,5	16,5
EVM 32 9-3F5/18.5	25	18,5	160L	90,4	0,86	-	34,5	19,8
EVM 32 9-0F5/18.5	25	18,5	160L	90,4	0,86	-	34,5	19,8
EVM 32 10-3F5/18.5	25	18,5	160L	90,4	0,86	-	34,5	19,8
EVM 32 10-1F5/18.5	25	18,5	160L	90,4	0,86	-	34,5	19,8
EVM 32 11-3F5/22	30	22	180	90,8	0,86	-	41,0	23,7
EVM 32 11-0F5/22	30	22	180	90,8	0,86	-	41,0	23,7
EVM 32 12-3F5/22	30	22	180	90,8	0,86	-	41,0	23,7
EVM 32 12-1F5/22	30	22	180	90,8	0,86	-	41,0	23,7
EVM 32 13-3F5/30	40	30	200	91,6	0,85	-	56,0	32,3
EVM 32 13-0F5/30	40	30	200	91,6	0,85	-	56,0	32,3
EVM 32 14-3F5/30	40	30	200	91,6	0,85	-	56,0	32,3
EVM 32 14-0F5/30	40	30	200	91,6	0,85	-	56,0	32,3
EVM 45 1-1F5/3.0	4	3	100	82,6	0,85	11,3	6,5	-
EVM 45 1-0F5/4.0	5,5	4	112	85,0	0,84	14,7	8,5	-
EVM 45 2-2F5/5.5	7,5	5,5	132S	85,7	0,86	-	10,8	6,2
EVM 45 2-0F5/7.5	10	7,5	132S	87,0	0,89	-	14,1	8,1
EVM 45 3-2F5/11	15	11	160M	88,7	0,84	-	21,5	12,4
EVM 45 3-0F5/11	15	11	160M	88,7	0,84	-	21,5	12,4
EVM 45 4-2F5/15	20	15	160M	89,7	0,85	-	28,5	16,5
EVM 45 4-0F5/15	20	15	160M	89,7	0,85	-	28,5	16,5
EVM 45 5-2F5/18.5	25	18,5	160L	90,4	0,86	-	34,5	19,8
EVM 45 5-0F5/18.5	25	18,5	160L	90,4	0,86	-	34,5	19,8
EVM 45 6-2F5/22	30	22	180	90,8	0,86	-	41,0	23,7
EVM 45 6-0F5/22	30	22	180	90,8	0,86	-	41,0	23,7
EVM 45 7-2F5/30	40	30	200	91,6	0,85	-	56,0	32,3
EVM 45 7-0F5/30	40	30	200	91,6	0,85	-	56,0	32,3
EVM 45 8-2F5/30	40	30	200	91,6	0,85	-	56,0	32,3
EVM 45 8-0F5/30	40	30	200	91,6	0,85	-	56,0	32,3
EVM 45 9-2F5/30	40	30	200	91,6	0,85	-	56,0	32,3
EVM 45 9-0F5/37	50	37	200	92,2	0,86	-	67,5	39,0
EVM 45 10-2F5/37	50	37	200	92,2	0,86	-	67,5	39,0
EVM 45 10-0F5/37	50	37	200	92,2	0,86	-	67,5	39,0