

Submersible slurry pump with a 4-pole motor for an increased lifetime and greater convenience.

RBS-based extra powered submersible slurry pump with agitator.

Slim design with a top discharge enabling installation in smaller casing.

For bentonite mixed water in foundation works or muddy water in civil engineering works.



Specification

- Capacity: up to 6 m³/min
- Head: up to 32 m
- Discharge 80mm (3") to 200mm (8")
- Power: 4kW(5.5HP) to 22kW(30 HP)
- Power supply: three phase 380V±10%, 50Hz
380V±10%, 60Hz
- Insulation class: F
- Protection class: IP68
- Cable length: 8m
- Water temperature: up to 40°C
- Max. water depth: 15m

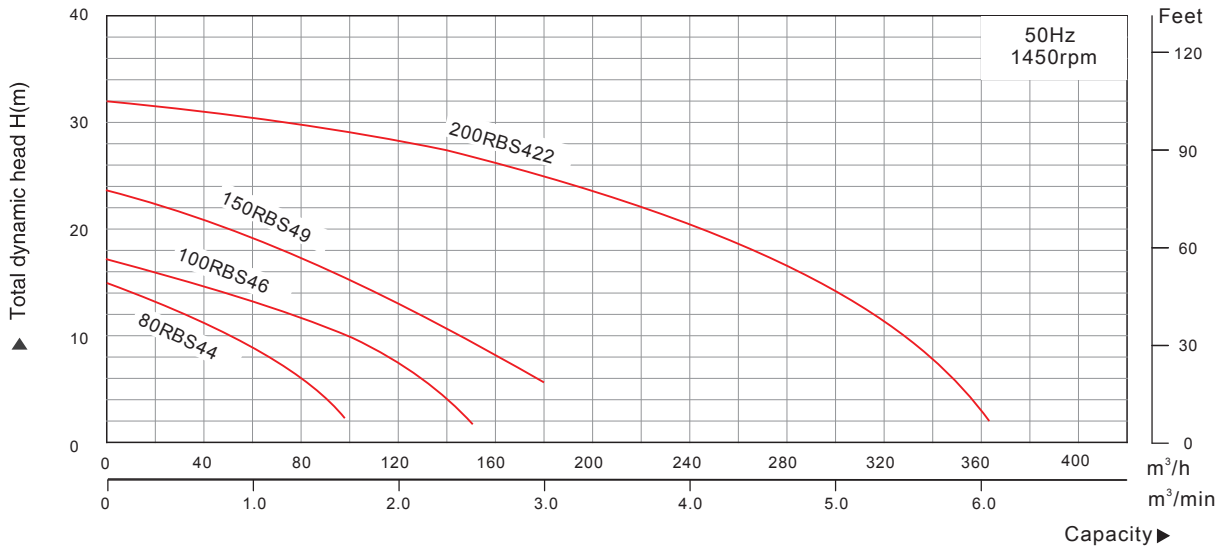
Application

- Civil engineering
- Mines, quarriers, coal ore & slurries
- Sewage treatment plants
- General pumping purposes
- Pumping fluid: sludge, liquids containing mud and bentonite

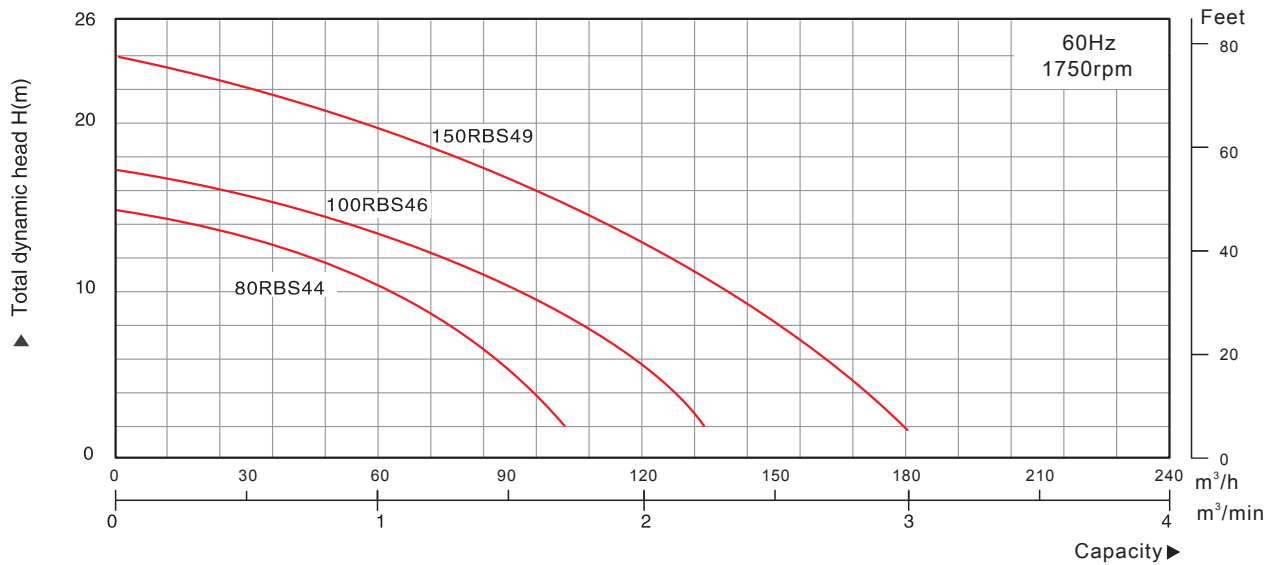
Special features on request

- Other voltages
- The length of cable is optional

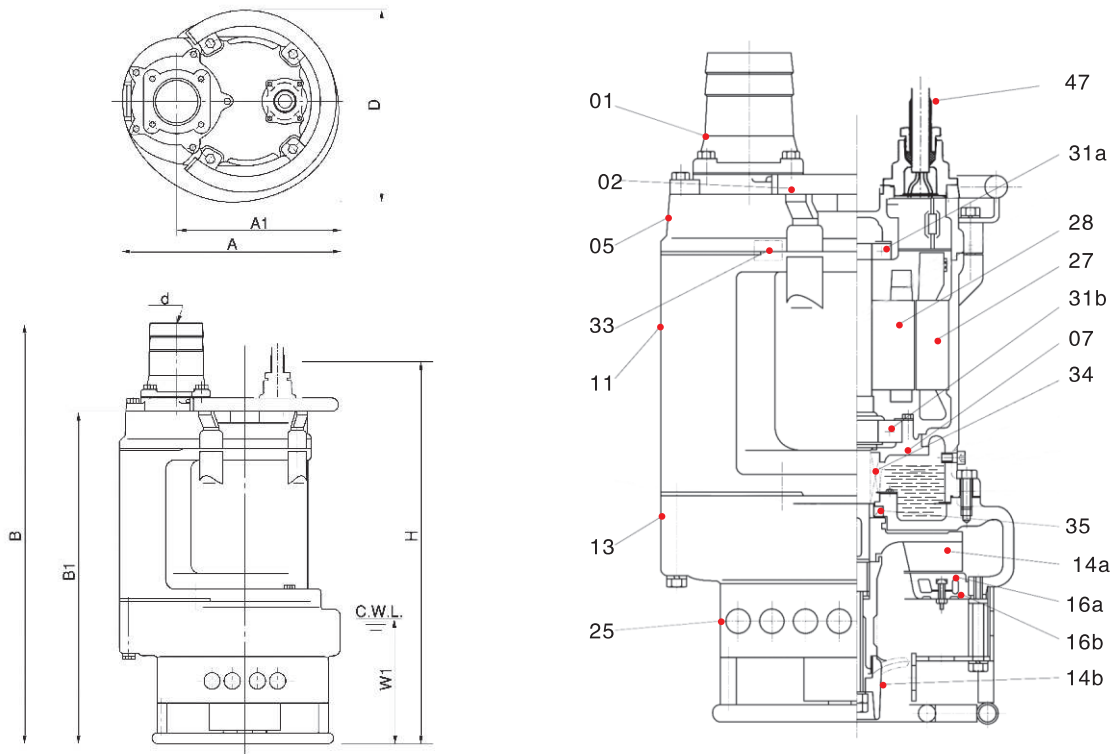
Performance curves



Performance curves



Model	Outlet	Motor power		Max head m		Max capacity m ³ /min		Impeller passage	N.W	G.W	Packing dimension
	mm	kW	HP	50Hz	60Hz	50Hz	60Hz	mm	Kg	Kg	mm
80RBS44	80	4	5.5	14.8	14.5	1.65	1.70	30	105	113	855x415x400
100RBS46	100	6	8	16.9	16.5	2.50	2.35	30	145	156	415x475x990
150RBS49	150	9	12	21.5	23.5	2.85	2.90	30	170	184	475x475x1050
200RBS422	200	22	30	32	/	6	/	30	400	420	660x570x1450



W1:Continuous running water level

Item No.	Part name	Material	Item No.	Part name	Material
01	Hose coupling	Cast iron	25	Strainer	Steel
02	Handle	Steel	27	Stator	
05	Upper cover	Cast iron	28	Rotor	Shaft:AISI420SS
07	Bearing house	Cast iron	31a	Bearing	Ball bearing
11	Motor body	Cast iron	31b	Bearing	Ball bearing
13	Pump body	Cast iron	33	Motor protector	
14a	Impeller	High chrome alloy	34	Mechanical seal	Sic-Sic/Sic-Sic Sic-Sic/Sic-Tc(22kW)
14b	Agitator	High chrome alloy	35	Oil seal	
16a	Inlet plate	High chrome alloy	47	Cable	
16b	Inlet palte	Cast iron			

Model	d	A	A1	B	B1	D	H	W1
80RBS44	80	350	260	816	666	326	730	250
100RBS46	100	415	305	844	688	373	730	250
150RBS49	150	434	324	889	709	407	776	250
200RBS422	200	578	442	1245	970	528	1200	330