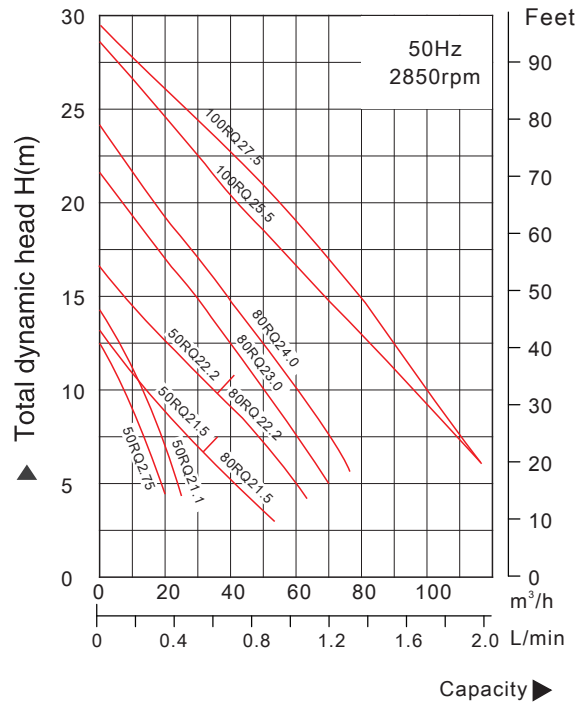


Performance curves



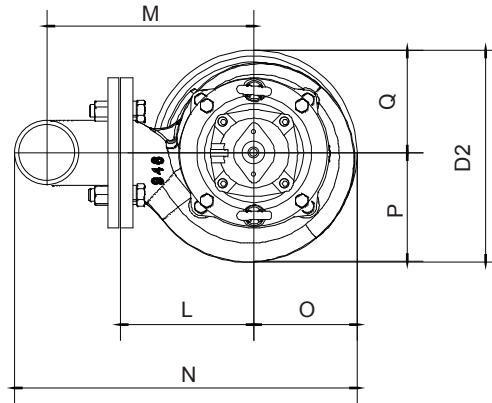
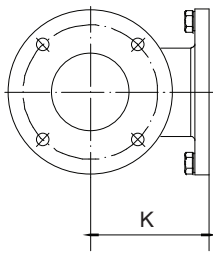
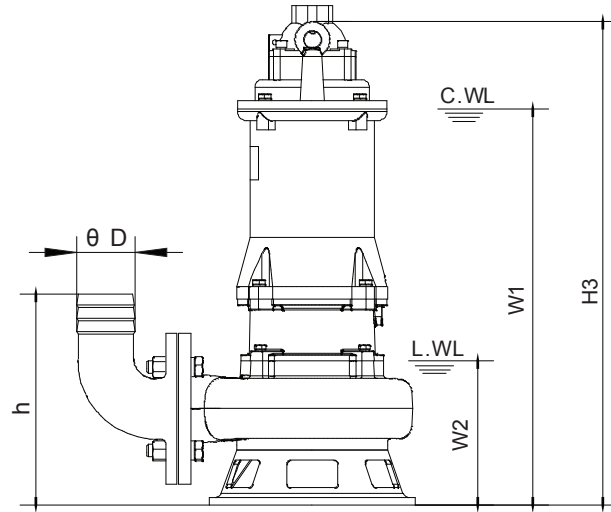
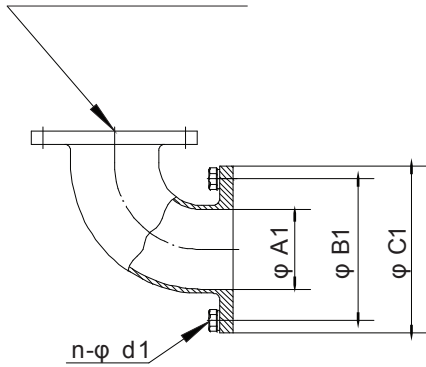
Materials of construction

Item No.	Part name	Material	Item No.	Part name	Material
01	Hose couplin	Cast iron	27	Stator	
03	Terminal box	Cast iron	28	Rotor	Shaft:Stainless steel
05	Upper cover	Cast iron	31a	Bearing	Ball bearing
07	Bearing house	Cast iron	31b	Bearing	Ball bearing
11	Motor body	Cast iron	33	Motor protector	
13	Pump body	Cast iron	34	Mechanical seal	Sic-Sic/Carbon-Ceramic
14	Impeller	Ductile iron	35	Oil seal	
16	Inlet plate	Ductile iron	47	Cable	H07RN-F
22	Seat assembly	Cast iron			

Model	Motor power		Outlet in	Guide Rial Fitting	Max capacity m³/h	Max head m	Impeller passage mm	N.W Kg	Packing dimension mm
	kW	HP							
50RQ2.75S(F)	0.75	1	2	50-50	20	12	20	25	535x225x280
50RQ2.75	0.75	1	2	50-50	20	12	20	25	535x225x280
50RQ21.1S(F)	1.1	1.5	2	50-50	26	14	20	26	555x225x280
50RQ21.1	1.1	1.5	2	50-50	26	14	20	26	555x225x280
50RQ21.5	1.5	2	2	50-50	32	13	25	39	650x250x325
80RQ21.5	1.5	2	3	80-80	52	13	25	44	650x250x325
50RQ22.2	2.2	3	2	50-50	37	17	25	41	670x250x325
80RQ22.2	2.2	3	3	80-80	63	17	25	46	670x250x325
80RQ23.0	3	4	3	80-80	71	22	30	56	730x300x355
80RQ24.0	4	5.5	3	80-80	77	24	30	64	770x300x355
100RQ25.5	5.5	7.5	4	100-100	117	29	35	80	800x320x385
100RQ27.5	7.5	10	4	100-100	117	29	35	98	800x320x385

(F):With Float switch S:Single phase

ISO7005-1992(PN6)



W1: Continuous running water level

W2: Lowest running water level

Model	φD	φA1	φB1	φC1	φd1	h	W1	W2	H3	K	N	O	P	Q	L	M	D2
50RQ2.75S	50	50	110	140	4-φ14	203	378	140	490	100	318	100	100	100	128	193	200
50RQ2.75	50	50	110	140	4-φ14	203	378	140	490	100	318	100	100	100	128	193	200
50RQ21.1S	50	50	110	140	4-φ14	203	398	140	490	100	318	100	100	100	128	193	200
50RQ21.1	50	50	110	140	4-φ14	203	378	140	490	100	318	100	100	100	128	193	200
50RQ21.5	50	50	110	140	4-φ14	216	439	169	550	100	362	108	109	108	164	229	217
80RQ2.5	80	80	150	190	4-φ18	255	439	169	550	140	402	108	109	108	164	257	217
50RQ22.2	50	50	110	140	4-φ14	216	459	169	570	100	362	108	109	108	164	229	217
80RQ22.2	80	80	150	190	4-φ18	255	459	169	570	140	402	108	109	108	164	257	217
80RQ23.0	80	80	150	190	4-φ18	267	501	183	610	140	431	108	138	108	171	264	268
80RQ24.0	80	80	150	190	4-φ18	267	531	183	650	140	431	130	138	130	171	264	268
100RQ25.5	100	100	170	210	4-φ18	302	559	200	685	150	489	135	146	135	201	304	281
100RQ27.5	100	100	170	210	4-φ18	300	634	190	702	150	490	160	205	135	205	355	340