

The RV(M) pump is made of stainless steel and special resin, The pump is not only light weight but also corrosion-resistant as well. Built-in vortex impeller and large passage facilitate pump operation to readily dispose of liquid containing various kinds of foreign matters.

Application

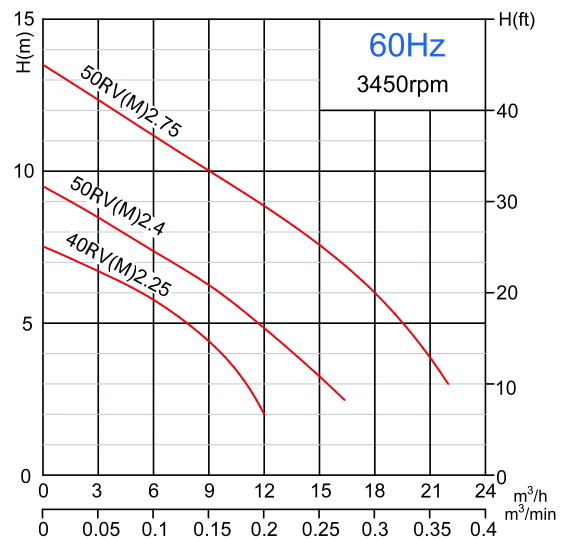
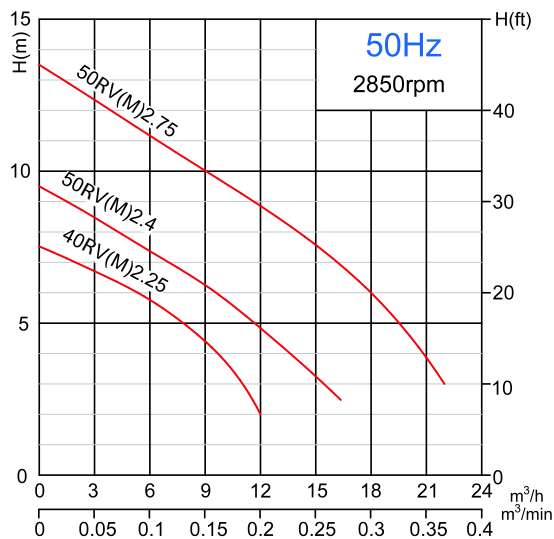
- Transferring wastewater between the tanks at small-scale treatment facility.
- Draining sewage from factory, residence, hotel, restaurant, etc.
- Pumping rainwater and springwater at a place where foreign objects are likely to run into the water.

Specification

- Water temperature: up to 40°C
- PH: 4 to 10
- Power supply: single phase 220V ± 10%, 50Hz, 60Hz
three phase 380V ± 10%, 50Hz, 60Hz
- Insulation class: F
- Protection class: IP68
- Cable length: 8m
- Max water depth: 10m

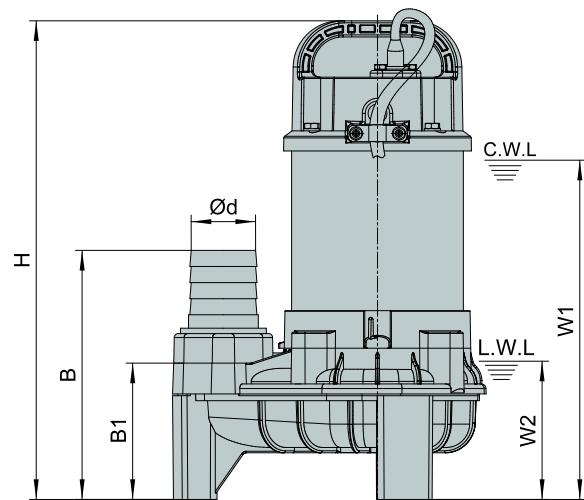
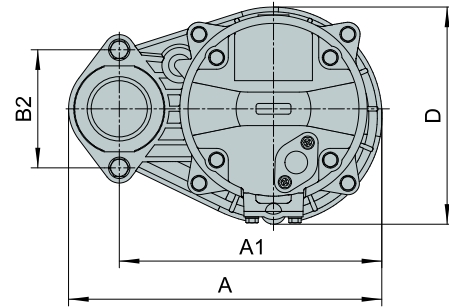
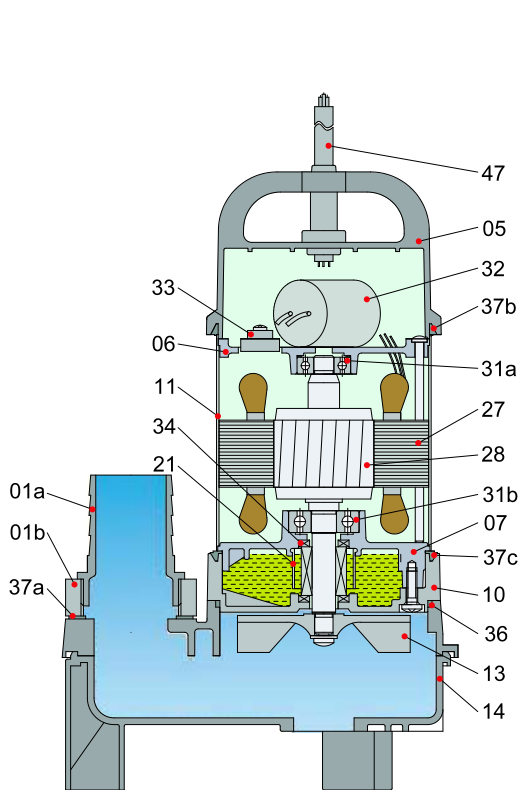


Performance curves & table



Model (50/60Hz)	Outlet mm	Motor power		Rated current (A)		Rated capacity		Rated head m	Max capacity		Max Head m	Impeller Passage mm
		kW	HP	1~	3~	m³/h	m³/min		m³/h	m³/min		
40RV(M)2.25(F)	40(50)	0.25	0.34	2.0	0.9	8	0.13	5	12	0.2	7.5	35
50RV(M)2.4(F)	50	0.4	0.55	3.0	1.3	9	0.15	6	16.8	0.28	9.5	35
50RV(M)2.75(F)	50	0.75	1	5.0	2.0	12	0.2	9	22.2	0.37	13.5	35

•RV:Three phase; RVM:Single phase; RVM...F:Single phase with Float switch



W1: Continuous running water level
W2: Lowest running water level

Material of construction

Item No.	Part name	Material	Item No.	Part name	Material
01a	Hose coupling	ABS	28	Rotor	Shaft:AISI304SS
01b	Hose coupling	PA66	31a	Bearing	Ball bearing
05	Upper cover	PPS	31b	Bearing	Ball bearing
06	Up-Bearing house	Aluminum die casting	32	Capacitor	
07	Bearing house	Aluminum die casting	33	Motor protector	
10	Seal house	PPS	34	Mechanical seal	Ceramic-Sic/Carbon-Ceramic
11	Motor casing	AISI304SS	36	O'ring	NBR
13	Pump body	ABS	37a	Gasket	NBR
14	Impeller	PPO	37b	Gasket	NBR
21	Oil riser	LDPE	37c	Gasket	NBR
27	Stator		47	Cable	H07RN-F

Dimensions & weights

Model (50/60Hz)	d	A	A1	B	B1	B2	D	H	W1	W2	N.W	G.W	Packing dimension mm
	mm	mm	mm	mm	mm	mm	mm	mm	mm	mm	Kg	Kg	
40RV(M)2.25(F)	40(50)	234	196	189	103	88	162	370	270	110	9	10	415x250x240
50RV(M)2.4(F)	50	234	196	189	103	88	162	370	270	110	10	11	415x250x240
50RVM2.75(F)	50	234	196	189	103	88	162	400	300	110	13	14	445x250x240
50RV2.75	50	234	196	189	103	88	162	390	290	110	11	12	445x250x240