

-  Clean water
-  Civil use
-  Agricultural use
-  Industrial use



PERFORMANCE RANGE

- Flow rate up to **900 l/min** (54 m³/h)
- Head up to **79 m**

APPLICATION LIMITS

- Manometric suction lift up to **7 m**
- Liquid temperature between **-10 °C** and **+90 °C**
- Ambient temperature between **-10 °C** and **+40 °C**
- Max. working pressure **10 bar**
- Continuous service **S1**

CONSTRUCTION AND SAFETY STANDARDS

EN 60335-1 EN 60034-1
IEC 60335-1 IEC 60034-1
CEI 61-150 CEI 2-3



EU REGULATION N. 547/2012

CERTIFICATIONS

Company with management system certified DNV
ISO 9001: QUALITY
ISO 14001: ENVIRONMENT



INSTALLATION AND USE

Suitable for use with clean water and with liquids that are not chemically aggressive towards the materials from which the pump is made. As a result of their reliability and the fact that they are easy to use, these pumps are widely used in civil, agricultural and industrial applications such as for supplying water, in air conditioning and cooling systems, for irrigation, etc. The pump should be installed in an enclosed environment or sheltered from inclement weather.

PATENTS - TRADE MARKS - MODELS

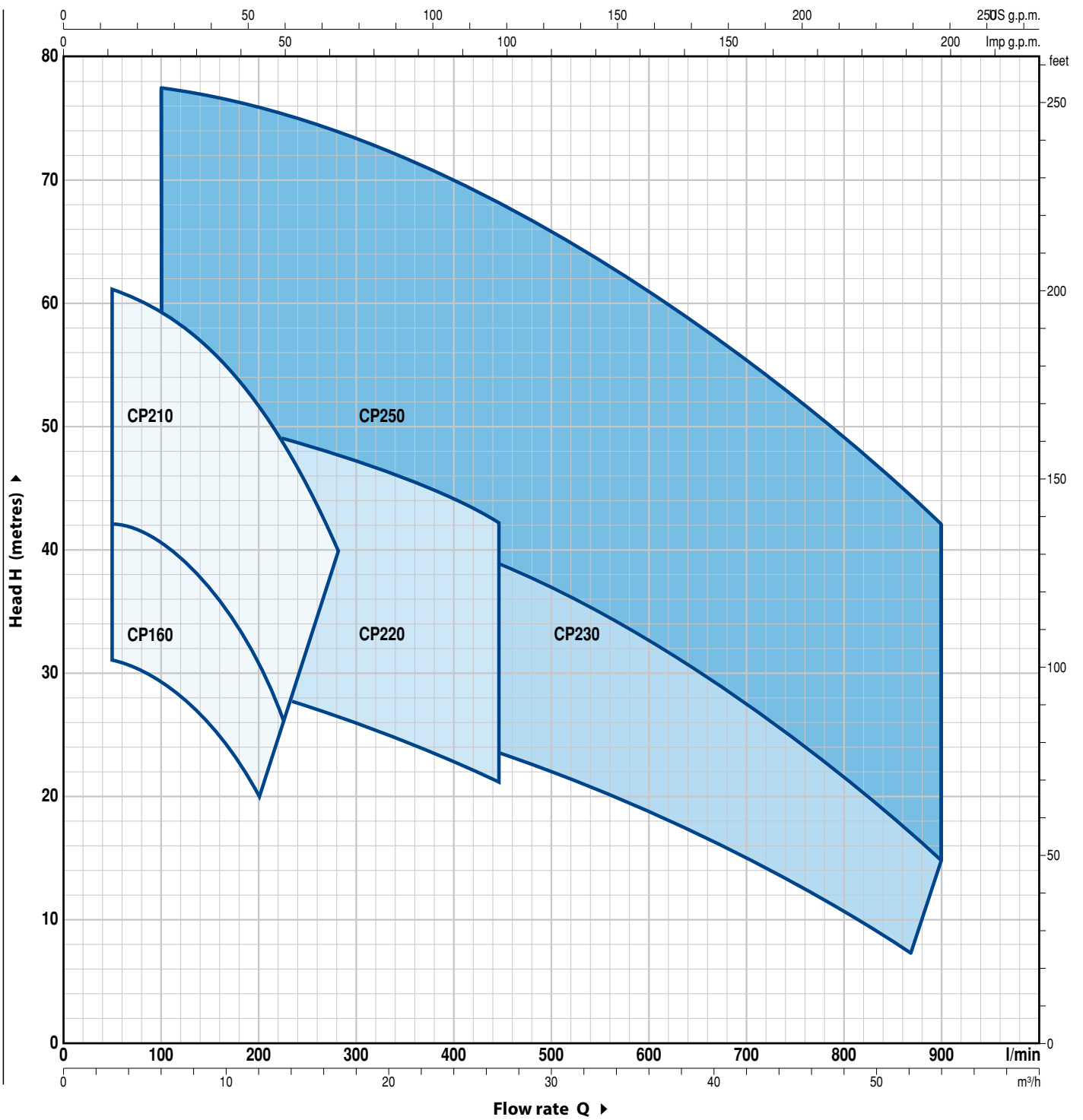
- Registered EU Design n. 002098434 for CP 160, CP210
- Registered Italian model n. 72753 for CP 220, CP 230, CP250

OPTIONS AVAILABLE ON REQUEST

- Special mechanical seal
- EN 10088-3 - 1.4401 (AISI 316) stainless steel pump shaft for CP 220, CP 230, CP250
- Other voltages or 60 Hz frequency
- IP X5 class protection for CP 160

PERFORMANCE RANGE

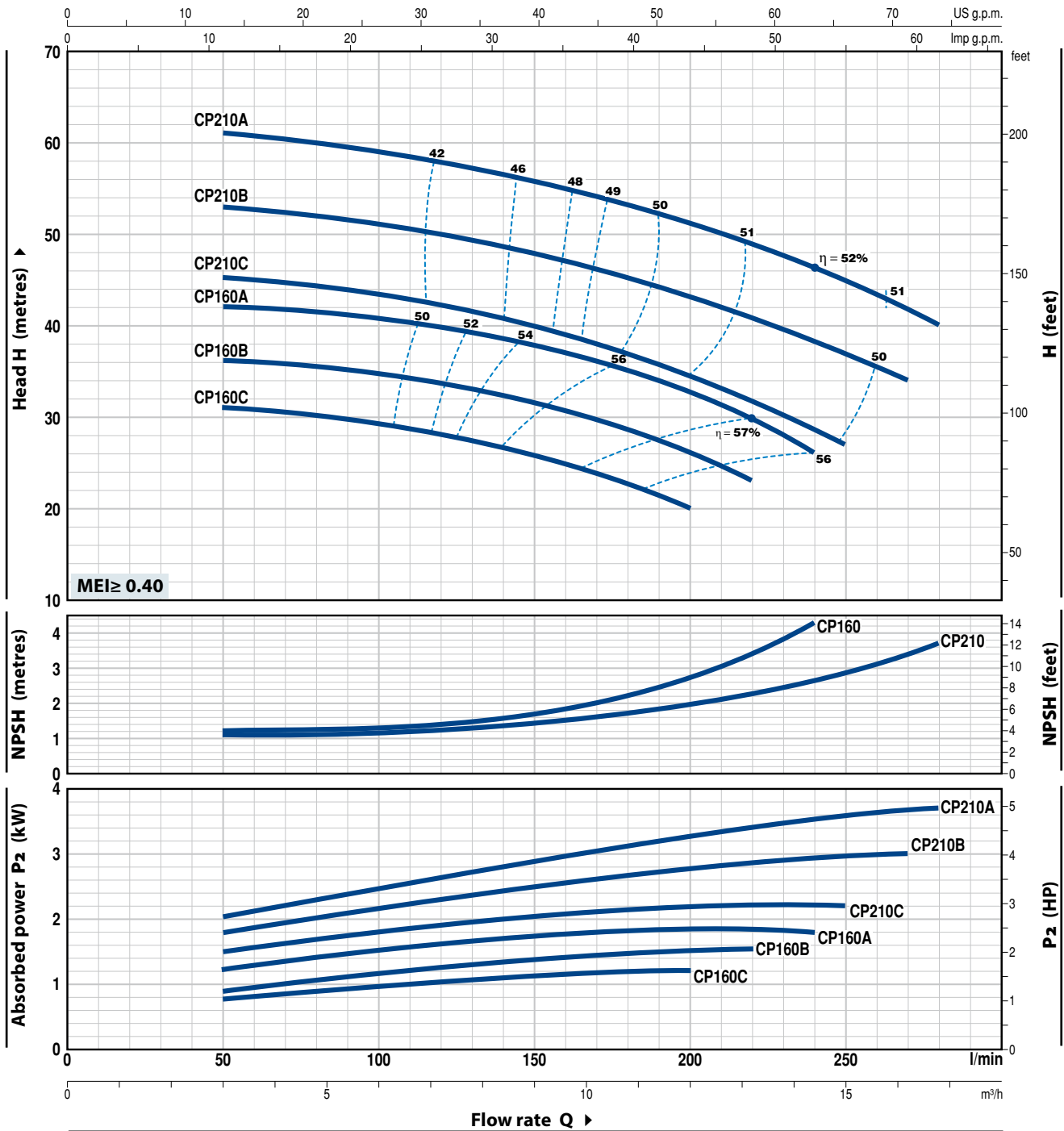
50 Hz n= 2900 rpm HS= 0 m



CP 160-210

CHARACTERISTIC CURVES AND PERFORMANCE DATA

50 Hz n= 2900 rpm HS= 0 m



MODEL		POWER (P ₂)			Q	H metres															
Single-phase	Three-phase	kW	HP	▲		0	3	4.5	6	7.5	9	10.5	12	13.2	14.4	15	16.2	16.8			
					0	50	75	100	125	150	175	200	220	240	250	270	280				
CPm 160C	CP 160C	1.1	1.5	IE2	32	31	30.5	29.5	28	26	23	20									
CPm 160B	CP 160B	1.5	2	IE3	37	36	35.5	34.5	33.5	31.5	29	26.5	23								
-	CP 160A	2.2	3		43	42	41.5	40.5	39.5	38	35.5	33	30	26							
CPm 210C	CP 210C	2.2	3		46	45.5	44.5	43.5	42	40	37.5	34.5	32	28.5	27						
-	CP 210B	3	4	54	53	52	51	49.5	48	45.5	43	40	38.5	37	34						
-	CP 210A	4	5.5	61	61	60	59	57.5	56	53.5	51	49	46.5	45	42	40					

Q = Flow rate H = Total manometric head HS = Suction height

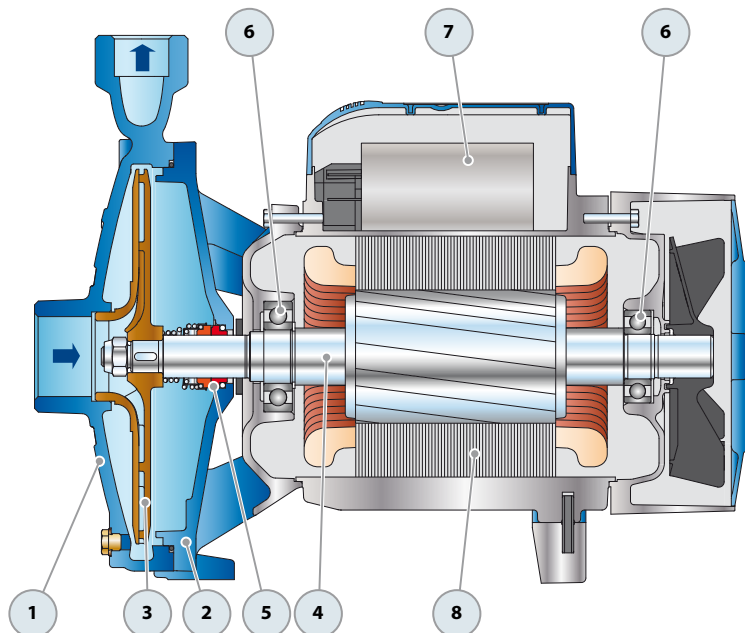
Tolerance of characteristic curves in compliance with EN ISO 9906 Grade 3B.

▲ Performance class of the three-phase motor (IEC-60034-30)

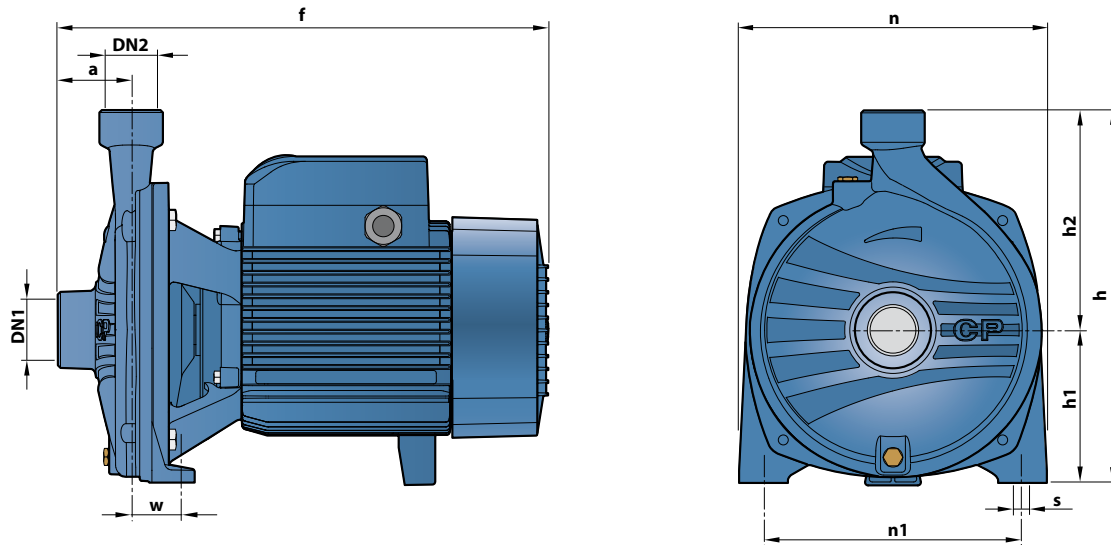
CP 160-210

POS. COMPONENT CONSTRUCTION CHARACTERISTICS

1	PUMP BODY	Cast iron complete with threaded ports in compliance with ISO 228/1					
2	BODY BACKPLATE	Cast iron					
3	IMPELLER	Brass					
4	MOTOR SHAFT	Stainless steel EN 10088-3 - 1.4104					
5	MECHANICAL SEAL	<i>Pump</i>	<i>Seal</i>	<i>Shaft</i>	<i>Materials</i>		
		<i>Model</i>	<i>Model</i>	<i>Diameter</i>	<i>Stationary ring</i>	<i>Rotational ring</i>	<i>Elastomer</i>
		CP 160	FN-18	Ø 18 mm	Graphite	Ceramic	NBR
		CP 210	FN-24	Ø 24 mm	Graphite	Ceramic	NBR
6	BEARINGS	<i>Pump</i>	<i>Model</i>				
		CP 160	6204 ZZ / 6204 ZZ				
		CP 210	6206 ZZ - C3 / 6205 ZZ				
7	CAPACITOR	<i>Pump</i>	<i>Capacitance</i>				
		<i>Single-phase</i>	<i>(230 V or 240 V)</i>	<i>(110 V)</i>			
		CPm 160C	31.5 µF - 450 VL	60 µF - 250 VL			
		CPm 160B	45 µF - 450 VL	80 µF - 250 VL			
		CPm 210C	70 µF - 450 VL	-			
8	ELECTRIC MOTOR	<p>CPm: single-phase 230 V - 50 Hz with thermal overload protector incorporated into the winding (up to 1.5 kW).</p> <p>CP: three-phase 230/400 V - 50 Hz.</p> <p>⇒ The three-phase pumps are fitted with high performance motors up to P₂=1.1kW in class IE2 and from P₂=1.5kW in class IE3 (IEC 60034-30)</p> <p>- Insulation: class F</p> <p>- Protection: IP X4</p>					



DIMENSIONS AND WEIGHT



MODEL		PORTS		DIMENSIONS mm									kg	
Single-phase	Three-phase	DN1	DN2	a	f	h	h1	h2	n	n1	w	s	1~	3~
CPm 160C	CP 160C	1½"	1"	54	373	260	110	150	207	165	44.5	11	19.7	17.7
CPm 160B	CP 160B												21.0	21.0
-	CP 160A												-	21.0
CPm 210C	CP 210C			60	402	305	125	180	252	210	39.5	11	26.0	27.5
-	CP 210B												-	30.0
-	CP 210A												-	32.0

ABSORPTION

MODEL	VOLTAGE		
	230 V	240 V	110 V
CPm 160C	8.6 A	7.8 A	17.2 A
CPm 160B	10.3 A	9.8 A	20.6 A
CPm 210C	13.0 A	12.7 A	-

MODEL	VOLTAGE					
	230 V	400 V	690 V	240 V	415 V	720 V
CP 160C	5.7 A	3.3 A	1.9 A	5.2 A	3.0 A	1.7 A
CP 160B	7.3 A	4.2 A	2.4 A	6.7 A	3.9 A	2.3 A
CP 160A	8.9 A	5.1 A	3.0 A	8.3 A	4.8 A	2.8 A
CP 210C	9.2 A	5.3 A	3.1 A	8.8 A	5.1 A	2.9 A
CP 210B	11.2 A	6.5 A	3.8 A	10.8 A	6.2 A	3.6 A
CP 210A	14.8 A	8.5 A	4.9 A	14.2 A	8.2 A	4.7 A