

# FULLFLOW 502

## AIR-OPERATED DOUBLE DIAPHRAGM PUMPS WITH FLAP CIRCUIT

The new FULLFLOW 502 pump is fitted with flaps instead of balls, which allow the passage of large-sized solids, reducing at the same time the crushing normally associated to the passage through balls and cages. Even though the maximum diameter for the passage of solids of 45 mm is not exclusive, the uniqueness for this type of pumps lies in the maximum length of the solids: 600 mm. Similarly, the pump features an exclusive

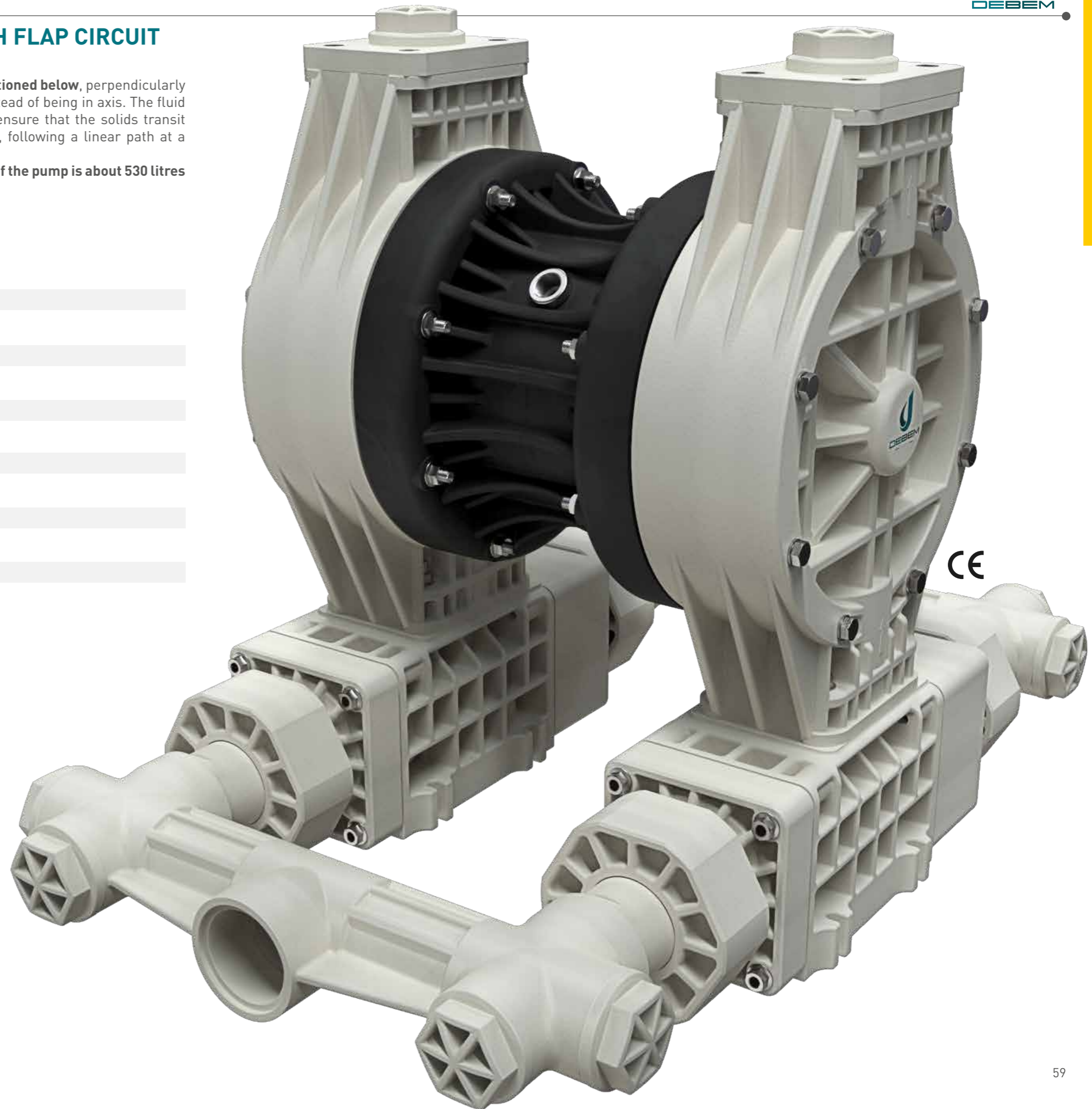
patented flap circuit positioned below, perpendicularly to the fluid chambers instead of being in axis. The fluid dynamics of this choice ensure that the solids transit outside the pump casing, following a linear path at a lower level to the pump.

The maximum flow rate of the pump is about 530 litres per minute.

- Polypropylene casing
- Flap in EPDM and NBR, core in AISI 316 steel, always in contact with the fluid
- Can be split in suction and delivery
- Fittings: G 2" 1/2 f or DN 65
- Air fitting: 1/2"
- Supply: min. 2 bar – max 4 bar
- Max. flow rate: 530 l/min
- Max. head: 40 m
- Max. dry suction: 3.5 m
- Max. flooded negative suction: 8 m
- Max. solids diameter: 45 mm
- Max. solid filaments length: 600 mm\*

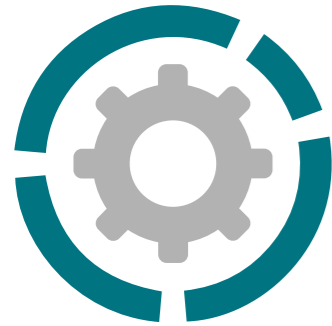
\*On request it can be configured for greater lengths. Consult the sales office.

The new FULLFLOW 502 pump is fitted with flaps instead of balls, that allow the passage of large-sized solids

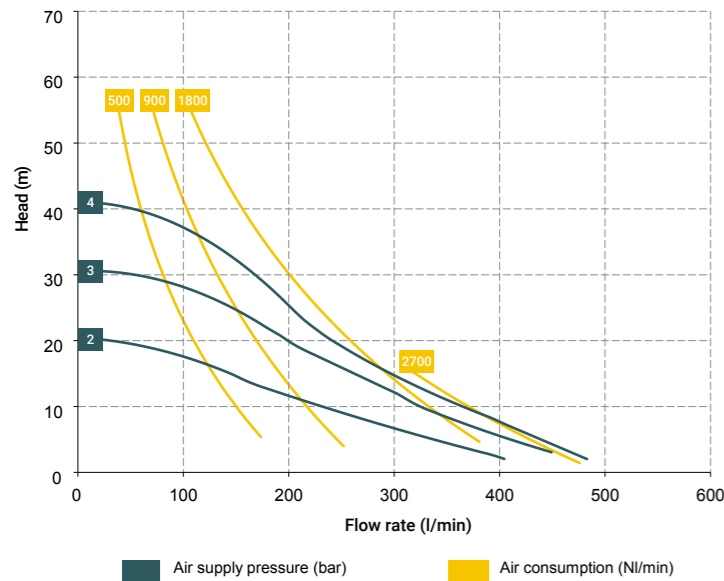


## Specifications and types

STANDARD: II 3G Ex h IIB T4 Gc, II 3D Ex h IIB T135°C Dc (zone 2)  
 CONDUCT: II 2G Ex h IIB T4 Gb, II 2D Ex h IIB T135°C Db (zone 1)

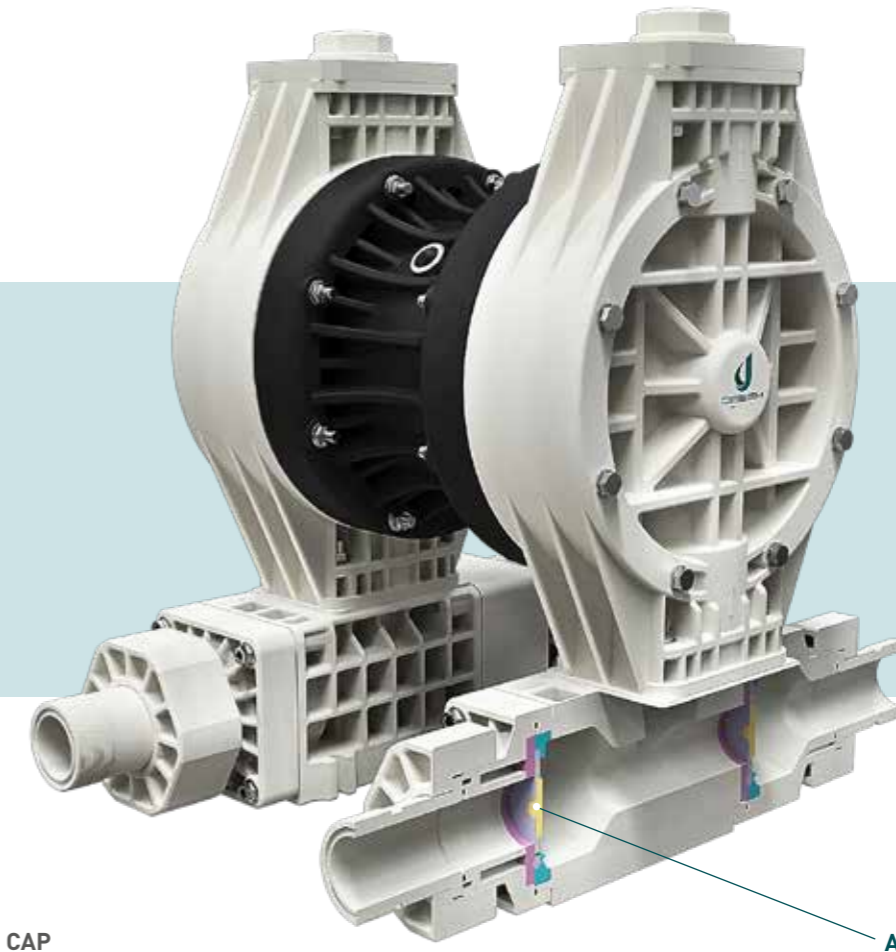


Suction / delivery connections	G 2"1/2 or DN 65
Air fitting	G 1/2" f
Max flow rate*	530 l/min
Max supply air pressure	4 bar
Max head*	40 m
Max negative suction head - dry-running**	3.5 m
Max diameter of suspended solids	45 mm
Max length of solids	600 mm



### MAIN APPLICATION SECTORS

- CERAMIC, STONE, MARBLE, GLASS AND MINING INDUSTRY
- WATER AND SLUDGE TREATMENT
- TEXTILE AND LEATHER INDUSTRY
- PACKING, GLUE, PAPER AND PAPER MILLS
- GALVANIC AND ELECTRONIC INDUSTRY



A = CAP  
 B = FLAP SEAT  
 C = FLAP WEAR RING

\* The performance values refer to primed pumps (with water at 20°C) with open outlet and vary based on the construction materials.  
 \*\* Attention: average values of the different materials configurations for ball and ball seat.



## PP



### Maximum Dimensions

Height	691 mm
Width	580 mm
Depth	952 mm



### Construction materials (casing and manifolds) and net weight

Polypropylene (with glass additive)	55 Kg
	Max 3°C min.
	65°C max

